

NOTES:

1. MATERIALS AND FINISHES:

- BODIES - BRASS, NICKEL PLATED
- CONTACT - PHOSPHOR BRONZE, GOLD PLATED (.000030" THICK MIN)
- BULLET CONTACT - BRASS, GOLD PLATED
- CRIMP FERRULE - BRASS, NICKEL PLATED
- INSULATOR - PTFE
- O-RING & GASKET - SILICONE

2. ELECTRICAL:

- A. FREQUENCY RANGE = DC TO 3.0 GHz
- B. V.S.W.R. (RETURN LOSS) = 1.250 MAX. (-19.1 dB)

3. MECHANICAL:

- A. WATER PROTECTION IN UNMATED CONDITION PER IEC 529, IP67
- B. CONTINUOUS OPERATING TEMPERATURE: -40°C TO +85°C
- C. INTERFACE MEETS THE REQUIREMENTS OF MIL-STD-348, TNC SERIES

4. CABLE ASSEMBLY INSTRUCTIONS:

- A. TRIM CABLE AS SHOWN
- B. SLIDE CRIMP FERRULE ONTO CABLE
- C. CRIMP OR SOLDER BULLET CONTACT TO CABLE CENTER CONDUCTOR
INSERT CABLE WITH BULLET CONTACT INTO REAR FERRULE BODY,
SLIDING FOIL INTO THE BODY AND THE BRAID OVER THE BODY.
- D. CRIMP FERRULE USING A .178 HEX DIE

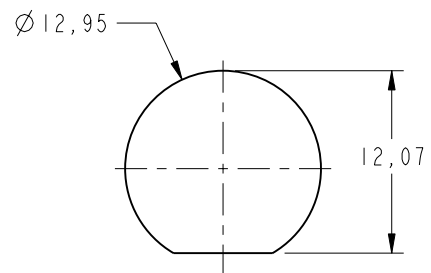
5. PACKAGING:

- A. PACKAGE CONNECTOR AS PER ROUTING INSTRUCTIONS.
- B. MARK BOX OR TAG "31-6212 YYWW"
- C. BULK PACK AS FOLLOWS:
CONTACT 50 PCS IN 1 BAG;
O-RING 50 PCS IN 1 BAG;
HEX NUT 50 PCS IN 1 BAG;
LOCKWASHER 50 PCS IN 1 BAG;
FERRULE 50 PCS IN 1 BAG;
CONNECTOR 50 PCS IN 1 BAG;
ALL 6 BAGS IN 1 BOX.

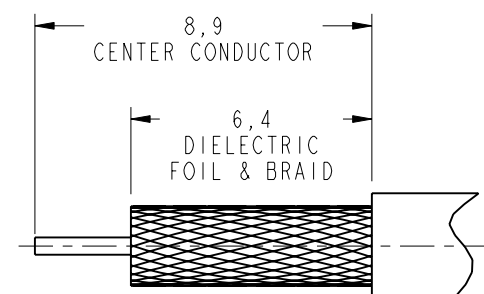
THIRD ANGLE PROJ.

REVISIONS

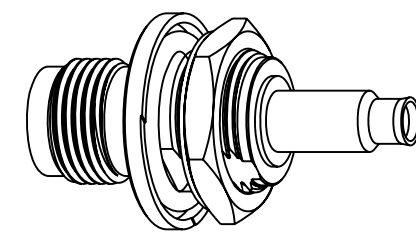
| REV | DESCRIPTION | DATE | ECO | APPR |
|-----|-------------------------------------|-----------|-------|-------|
| A | RELEASE TO MFG | 4/29/04 | 44928 | BCG |
| B | SEE SHEET 1 | 5/17/04 | 44959 | BCG |
| C | SEE SHEET 1 | 17-Dec-09 | 47847 | SCOTT |
| D | PACKAGE WAS CHANGED/ RD-DM120228011 | 05-Mar-12 | 48975 | IX |



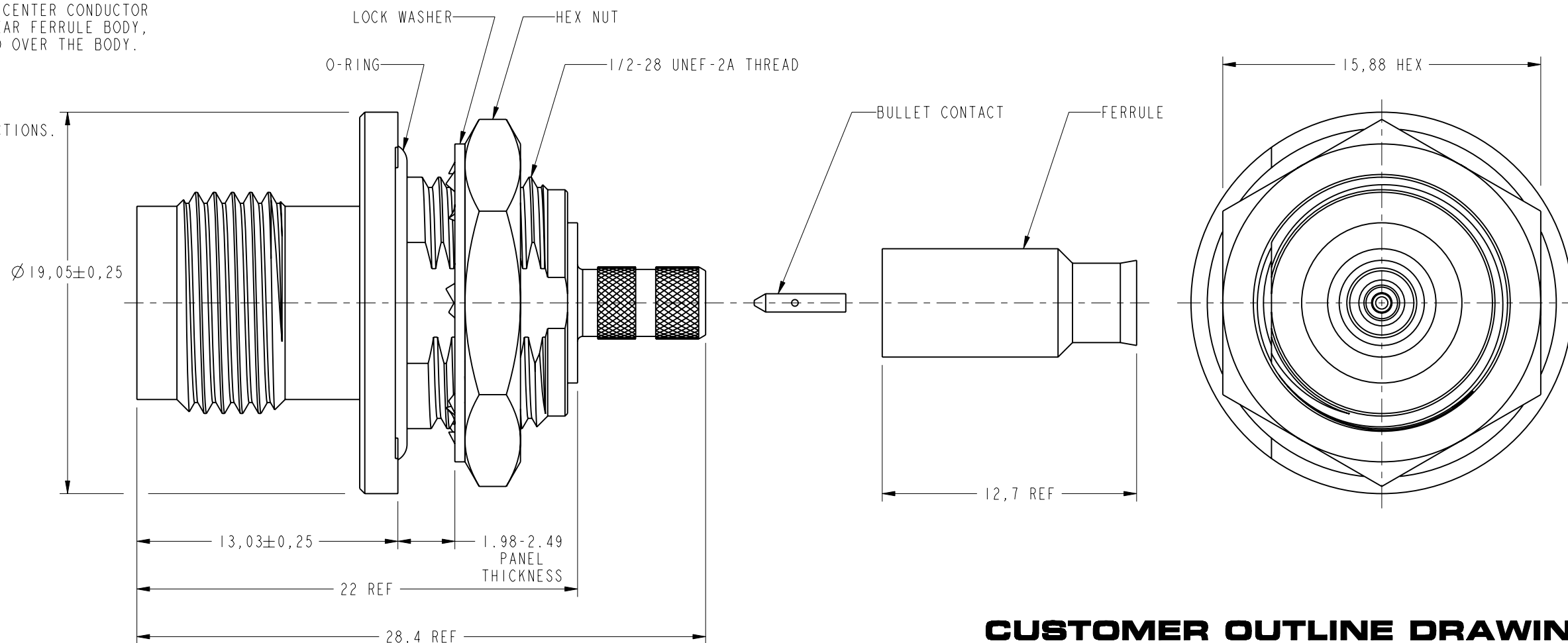
SUGGESTED MOUNTING HOLE
SCALE 2.000



RECOMMENDED TRIM DIMENSIONS



SCALE 1.500



CUSTOMER OUTLINE DRAWING

ALL OTHER SHEETS ARE FOR INTERNAL USE ONLY

UNLESS OTHERWISE SPECIFIED, DIMENSIONS ARE IN METRIC AND TOLERANCES ARE:
 <0.5mm ±0.05mm 0.5 - 6mm ±0.1mm 6 - 30mm ±0.2mm 30 - 120mm ±0.3mm ANGLES ±1°

NOTICE - These drawings, specifications, or other data (1) are, and remain the property of Amphenol corp. (2) must be returned upon request; and (3) are confidential and not to be disclosed to any person other than those to whom they are given by Amphenol Corp. the finishing of these drawings, specifications, or other data by Amphenol Corp., or to any other person to anyone for any purpose is not to be regarded by implication or otherwise in any manner licensing, granting rights to permitting such holder or any other person to manufacture, use or sell any product, process or design, patented or otherwise, that may in any way be related to or disclosed by said drawings, specifications, or other data.

| | |
|----------------------|--|
| MATERIAL | |
| REFERENCE | EAR #1300 AND 611X-4158-100 |
| CONFIGURATION LEVEL: | <input type="checkbox"/> <input type="checkbox"/> <input type="checkbox"/> |
| FINISH | |

| | | | |
|----------|---------------|------|-----------|
| DRAWN | I.XU | DATE | 29-Feb-12 |
| ENGINEER | B.C.GLEISSNER | DATE | 29-Feb-12 |
| APPROVED | S.HSIEH | DATE | 02-Mar-12 |
| CAD FILE | | | |

| | |
|---|--------------|
| TITLE | |
| TNC JACK, BULKHEAD FRONT MOUNT, SEALED FOR RG-316 CABLE | |
| SCALE: 4.0:1.0 | SHEET 2 OF 2 |
| DWG SIZE | REV |
| B | D |

| | |
|---|--|
| Amphenol RF | |
| Danbury CT USA, Tainan, Taiwan, Shenzhen, China www.amphenolrf.com | |
| DRAWING NO. 31-6212 | |
| ITEM NO. 31-6212 | |
| PART NO. 31-6212 | |