



THE PRODUCT

Our TOP-KNOBS are incomparable in design and are thus the ideal solution for all users looking for that special something. By selecting a marking element geared to the application, you define the function of the tuning knob and at the same time give your equipment a modern, contemporary appearance.

APPLICATIONS

For rotary potentiometer with shaft ends corresponding to DIN 41 591 and rotary potentiometer with flattened ends $\varnothing 6/4.6$ mm. Measuring and control technology. Medical field and laboratory technology. Heating and air conditioning.

YOUR ADVANTAGE

Aesthetically pleasing knob design.

The invisible screw-type fixture gives your equipment a pleasing and modern appearance.

The new fixing technique rules out any possibility of contact with live parts.

Functional marking elements, e.g. for fine calibration in up to five different standard colours. Easy to fit.

In connection with rotary potentiometers, the arrangement of the axis is recessed in order to accommodate external nuts and to make sure that the knobs form an even line with the front panel.

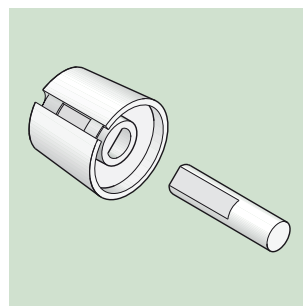
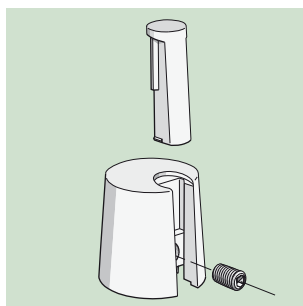
We also produce our TOP-KNOBS in special colours, moq reserved. Please advise us of the colour and quantity you require.

MATERIAL

PA 6 reinforced – marking elements PA 6 unreinforced.

Please refer to specifications on page 29.

- Knobs**
- Nero, NCS S 9000-N
 - Volcano, NCS S 5502-G
- Marking elements**
(depends on type)
- Coral, NCS S 0550-R
 - Beach, NCS S 0530-Y20R
 - Lagoon, NCS S 1030-B70G
 - Sky, NCS S 1030-R80B
 - Mineral, NCS S 3502-G



TOP-KNOB

Knob Ø	Dimensions in mm		Max. tightening torque	type	Bore hole D	Image	
	"shaft end" *1	"flattened end" *2				Black	Grey
16			0.4 Nm	○	4 mm	A 10 16 049	A 10 16 048
			0.4 Nm	○	6 mm	A 10 16 069	A 10 16 068
				◐	6/4.6 mm	A 10 16 649	A 10 16 648
20			0.5 Nm	○	4 mm	A 10 20 049	A 10 20 048
			0.5 Nm	○	6 mm	A 10 20 069	A 10 20 068
			0.5 Nm	○	1/4"	A 10 20 639	A 10 20 638
				◐	6/4.6 mm	A 10 20 649	A 10 20 648
24			0.6 Nm	○	4 mm	A 10 24 049	A 10 24 048
			0.6 Nm	○	6 mm	A 10 24 069	A 10 24 068
			0.6 Nm	○	1/4"	A 10 24 639	A 10 24 638
				◐	6/4.6 mm	A 10 24 649	A 10 24 648
31			0.6 Nm	○	4 mm	A 10 31 049	A 10 31 048
			0.6 Nm	○	6 mm	A 10 31 069	A 10 31 068
			0.6 Nm	○	1/4"	A 10 31 639	A 10 31 638
				◐	6/4.6 mm	A 10 31 649	A 10 31 648
40			0.65 Nm	○	4 mm	A 10 40 049	A 10 40 048
			0.65 Nm	○	6 mm	A 10 40 069	A 10 40 068
			0.65 Nm	○	1/4"	A 10 40 639	A 10 40 638
				◐	6/4.6 mm	A 10 40 649	A 10 40 648

TOP-KNOBS

MARKING ELEMENTS

For TOP-KNOB Ø 16 – 40		Pin	Arrow	Globe	Disk	Wing
Simply push-on marking elements, subsequent replacement is also possible.	Colour					
		A 11 01 003	A 11 05 003			A 11 04 003
		A 11 01 004	A 11 05 004	A 11 02 004	A 11 03 004	
		A 11 01 005	A 11 05 005			
		A 11 01 006	A 11 05 006			
		A 11 01 007	A 11 05 007	A 11 02 007	A 11 03 007	

*1 lateral screw fixing with hex-socket set screw (1.5 mm) and annular cutting edge

*2 pinned onto the axes with flattened shaft ends