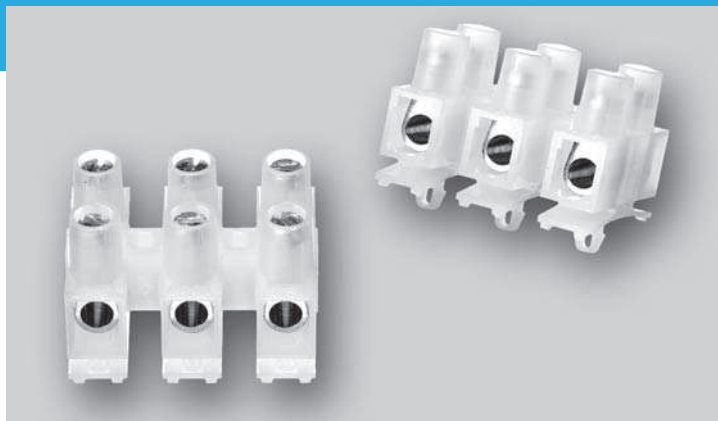


Europa Series Terminal Blocks



500 RZ with Catch Pins

Connection: conductor size 0.5 - 2.5 mm² (with wire protector)
conductor size 0.5 - 6.0 mm² (without wire protector)

Fixing: into hole size Ø 3.5 mm for plates of
0.5 - 1.4 mm thickness

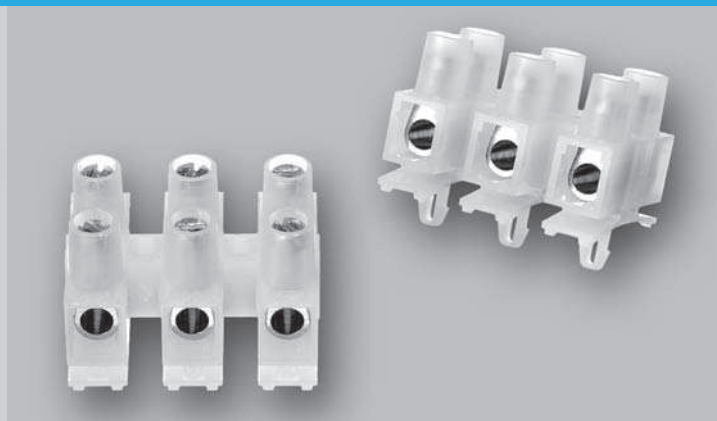
Torque screw: M3: \varnothing max. 0.5 Nm

Stripping length: 7 - 7.5 mm

Important approvals: VDE, UL

Accessories: covers (page 83), marking labels (page 85)

Upon request: 7 - 11 pole, center stop MDS, printing, different polyamides (in particular glow wire to EN 60335-1), different screws



500 LRZ with Elongated Catch Pins

Connection: conductor size 0.5 - 2.5 mm² (with wire protector)
conductor size 0.5 - 6.0 mm² (without wire protector)

Fixing: into hole size Ø 3.5 mm for plates of
1.5 - 2.5 mm thickness

Torque screw: M3: \varnothing max. 0.5 Nm

Stripping length: 7 - 7.5 mm

Important approvals: VDE, UL

Accessories: covers (page 83), marking labels (page 85)

Upon request: 7 - 11 pole, center stop MDS, printing, different polyamides (in particular glow wire to EN 60335-1), different screws

Description	Item	Order Number	PU	Description	Item	Order Number	PU
with Wire Protectors				with Wire Protectors			
1 pole	500 RZ/ 1 DS	124301	2000	1 pole	500 LRZ/ 1 DS	124501	2000
2 pole	500 RZ/ 2 DS	124302	1000	2 pole	500 LRZ/ 2 DS	124502	1000
3 pole	500 RZ/ 3 DS	124303	1000	3 pole	500 LRZ/ 3 DS	124503	1000
4 pole	500 RZ/ 4 DS	124304	400	4 pole	500 LRZ/ 4 DS	124504	400
5 pole	500 RZ/ 5 DS	124305	500	5 pole	500 LRZ/ 5 DS	124505	500
6 pole	500 RZ/ 6 DS	124306	500	6 pole	500 LRZ/ 6 DS	124506	500
12 pole	500 RZ/12 DS	124312	40	12 pole	500 LRZ/12 DS	124512	40
without Wire Protectors				without Wire Protectors			
1 pole	500 RZ/ 1	124201	2000	1 pole	500 LRZ/ 1	124401	2000
2 pole	500 RZ/ 2	124202	1000	2 pole	500 LRZ/ 2	124402	1000
3 pole	500 RZ/ 3	124203	1000	3 pole	500 LRZ/ 3	124403	1000
4 pole	500 RZ/ 4	124204	400	4 pole	500 LRZ/ 4	124404	400
5 pole	500 RZ/ 5	124205	500	5 pole	500 LRZ/ 5	124405	500
6 pole	500 RZ/ 6	124206	500	6 pole	500 LRZ/ 6	124406	500
12 pole	500 RZ/12	124212	40	12 pole	500 LRZ/12	124412	40

