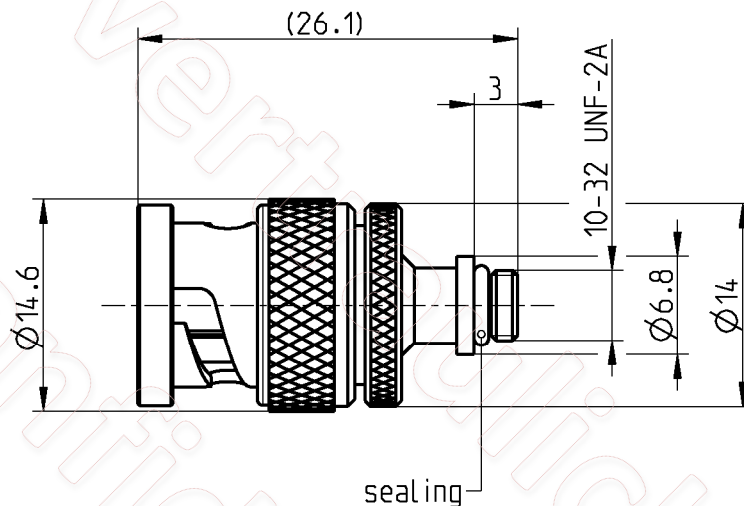


adaptor  
bnc 50 Ω plug – Microdot jack

**51S131-K00N5**



All dimensions are in mm; tolerances according to ISO 2768 m-H

**Interface**

According to BNC side: IEC 60169-8, MIL-PRF-39012, CECC 22120  
Microdot side: specification of MALCO INC.(USA)

**Documents**

N/A

**Material and plating**

**Connector parts**

Center contact BNC and Microdot side  
Outer contact BNC and Microdot side  
Body  
Dielectric  
Gasket  
Gasket

**Material**

CuBe  
Brass  
Brass  
PTFE  
NeopreneCR 50C6  
Silicone

**Plating**

AuroDur®, gold plated  
Flash white bronze over silver(e.g. Optargen®)  
Flash white bronze over silver(e.g. Optargen®)

adaptor  
bnc 50 Ω plug – Microdot jack

**51S131-K00N5**

**Electrical data**

Impedance	50 Ω	
Frequency	DC to 2 GHz	
Return loss	≥ 25 dB, DC to 1 GHz	
	≥ 15 dB, 1 to 2 GHz	
Insertion loss	≤ 0.1 x √ f [GHz] dB	
Insulation resistance	≥ 5 x10 <sup>3</sup> MΩ	
Center contact resistance	≤ 1.5 mΩ, BNC side;	≤ 3 mΩ, Microdot side
Outer contact resistance	≤ 1 mΩ, BNC side;	≤ 3 mΩ, Microdot side
Test voltage	1000 V rms	
Working voltage	400 V rms	
Contact current (DC)	≤ 3 A typ.	

**Mechanical data**

	BNC side	Microdot side
Mating cycles	min. 500	min. 500
Center contact captivation: axial	≥ 15 N	≥ 15 N

**Environmental data**

Temperature range	-55°C to +155°C
Thermal shock	MIL-STD-202, Meth. 107, Cond. B
Corrosion	MIL-STD-202, Meth. 101, Cond. B
Vibration	MIL-STD-202, Meth. 204, Cond. B
Shock	MIL-STD-202, Meth. 213, Cond. G
Moisture resistance	MIL-STD-202, Meth. 106
RoHS	compliant

**Tooling**

N/A

**Suitable cables**

N/A

**Weight**

Weight 13.4 g/pce

While the information has been carefully compiled to the best of our knowledge, nothing is intended as representation or warranty on our part and no statement herein shall be construed as recommendation to infringe existing patents. In the effort to improve our products, we reserve the right to make changes judged to be necessary.

Draft	Date	Approved	Date	Rev.	Engineering change number	Name	Date
Chr. Entsfellner	17/07/08	Sa. Krautenbacher	18.03.14	e00	14-0352	T. Krojer	18.03.14
Rosenberger Hochfrequenztechnik GmbH & Co. KG P.O.Box 1260 D-84526 Tittmoning Germany <a href="http://www.rosenberger.de">www.rosenberger.de</a>					Tel.: +49 8684 18-0 Fax: +49 8684 18-499 email: <a href="mailto:info@rosenberger.de">info@rosenberger.de</a>		Page 2 / 2