

FEATURES

- Allows for a sturdy connection without profile end finishing
Can be easily removed and reused
- Die-Cast Zinc construction for hard wearing uses

RS PRO Connector Bracket & Joint Angle Bracket, strut profile 28 x 28 x 28 mm, Groove Size 6mm

RS Stock No.: 767-5566



RS Professionally Approved Products bring to you professional quality parts across all product categories. Our product range has been tested by engineers and provides a comparable quality to the leading brands without paying a premium price.

Product Description

RS PRO offers this great connector bracket and joint angle to fit 40 x 40 x 40 mm strut profiles with a groove size of 8 mm. These connecting sets provide the angle bracket to secure structural profiles along with a decorative cap. The angle bracket components are compatible with a range of profiles.

RS PRO Aluminium Strut - 30x30 mm, 6 mm Groove, 1000 mm Length - [7613280](#)

RS PRO Aluminium Strut - 30x30 mm, 6 mm Groove, 2000 mm Length - [7613313](#)

RS PRO Aluminium Strut - 30x30 mm, 6 mm Groove, 3000 mm Length - [7613293](#)

General Specifications

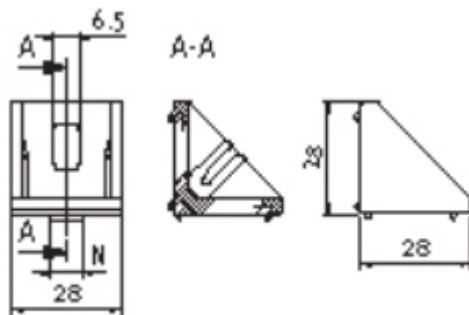
Product Family	RS Structural System
Product System	30
Structural Element Type	Connector Bracket & Joint
Connector Type	Connection Angle
Material	Die Cast Zinc
Applications	guarding enclosures, work benches, general enclosures and other workplace fixtures

Mechanical Specifications

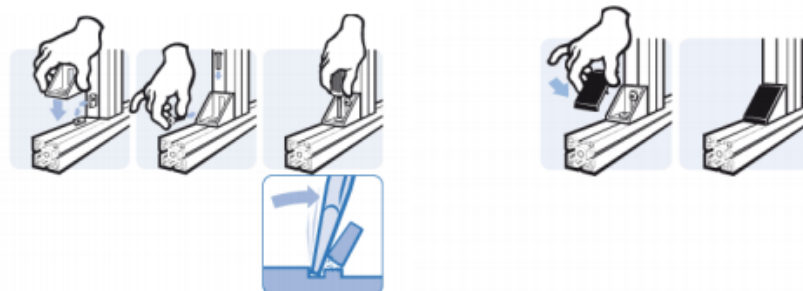
Fits Groove Size	6mm
Fits Strut Profile	30mm

Approvals

Compliance/Certifications	EN61340
----------------------------------	---------



Set contains: Angle bracket with cap, two roll-in T slots and screws.



For Profile 30, groove size 6 system ONLY

RS Article no.	Product Description	Compatible with groove size	Product system	Structural element type
7675566	Set Connection Angle, 28x28x28mm, slot 6	6	30	Connector Bracket & Joint