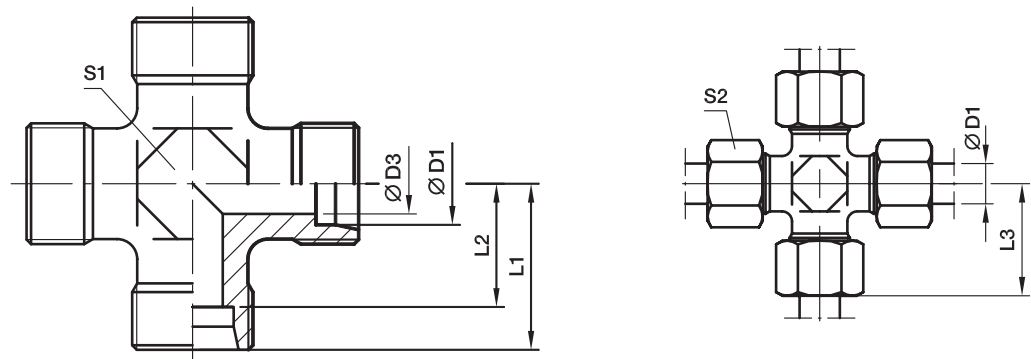


## K Union cross

EO 24° cone end



Series	D1	D3	L1	L2	L3	S1	S2	Weight g/1 piece	Order code*	PN (bar) <sup>1)</sup>		
										CF	71	MS
LL <sup>2)</sup>	04	3.0	15	11.0	21	9	10	13	<b>K04LL</b>	100	100	63
	06	4.5	15	9.5	21	9	12	14	<b>K06LL</b>	100	100	63
	08	6.0	17	11.5	23	12	14	24	<b>K08LL</b>	100	100	63
L <sup>3)</sup>	06	4.0	19	12.0	27	12	14	35	<b>K06L</b>	315	315	200
	08	6.0	21	14.0	29	12	17	40	<b>K08L</b>	315	315	200
	10	8.0	22	15.0	30	14	19	52	<b>K10L</b>	315	315	200
	12	10.0	24	17.0	32	17	22	69	<b>K12L</b>	315	315	200
	15	12.0	28	21.0	36	19	27	130	<b>K15L</b>	315	315	200
	18	15.0	31	23.5	40	24	32	188	<b>K18L</b>	315	315	200
	22	19.0	35	27.5	44	27	36	251	<b>K22L</b>	160	160	100
	28	24.0	38	30.5	47	36	41	392	<b>K28L</b>	160	160	100
	35	30.0	45	34.5	56	41	50	618	<b>K35L</b>	160	160	100
	42	36.0	51	40.0	63	50	60	905	<b>K42L</b>	160	160	100
S <sup>4)</sup>	06	4.0	23	16.0	31	12	17	58	<b>K06S</b>	630	630	400
	08	5.0	24	17.0	32	14	19	82	<b>K08S</b>	630	630	400
	10	7.0	25	17.5	34	17	22	97	<b>K10S</b>	630	630	400
	12	8.0	29	21.5	38	17	24	146	<b>K12S</b>	630	630	400
	14	10.0	30	22.0	40	19	27	176	<b>K14S</b>	400	400	250
	16	12.0	33	24.5	43	24	30	220	<b>K16S</b>	400	400	250
	20	16.0	37	26.5	48	27	36	339	<b>K20S</b>	315	315	200
	25	20.0	42	30.0	54	36	46	576	<b>K25S</b>	315	315	200
	30	25.0	49	35.5	62	41	50	843	<b>K30S</b>	315	315	200
	38	32.0	57	41.0	72	50	60	1350	<b>K38S</b>	315	315	200

<sup>1)</sup> Pressure shown = item deliverable

<sup>2)</sup> LL = very light series; <sup>3)</sup> L = light series; <sup>4)</sup> S = heavy series

$$\frac{PN \text{ (bar)}}{10} = PN \text{ (MPa)}$$

Delivery without nut and ring. Information on ordering complete fittings see page 17.

\*Please add the **suffixes** below according to the material/surface required.

Order code suffixes		
Material	Suffix surface and material	Example
Steel, zinc plated, Cr(VI)-free	CFX	K16SCFX
Stainless Steel	71X	K16S71X
Brass	MSX	K16SMSX