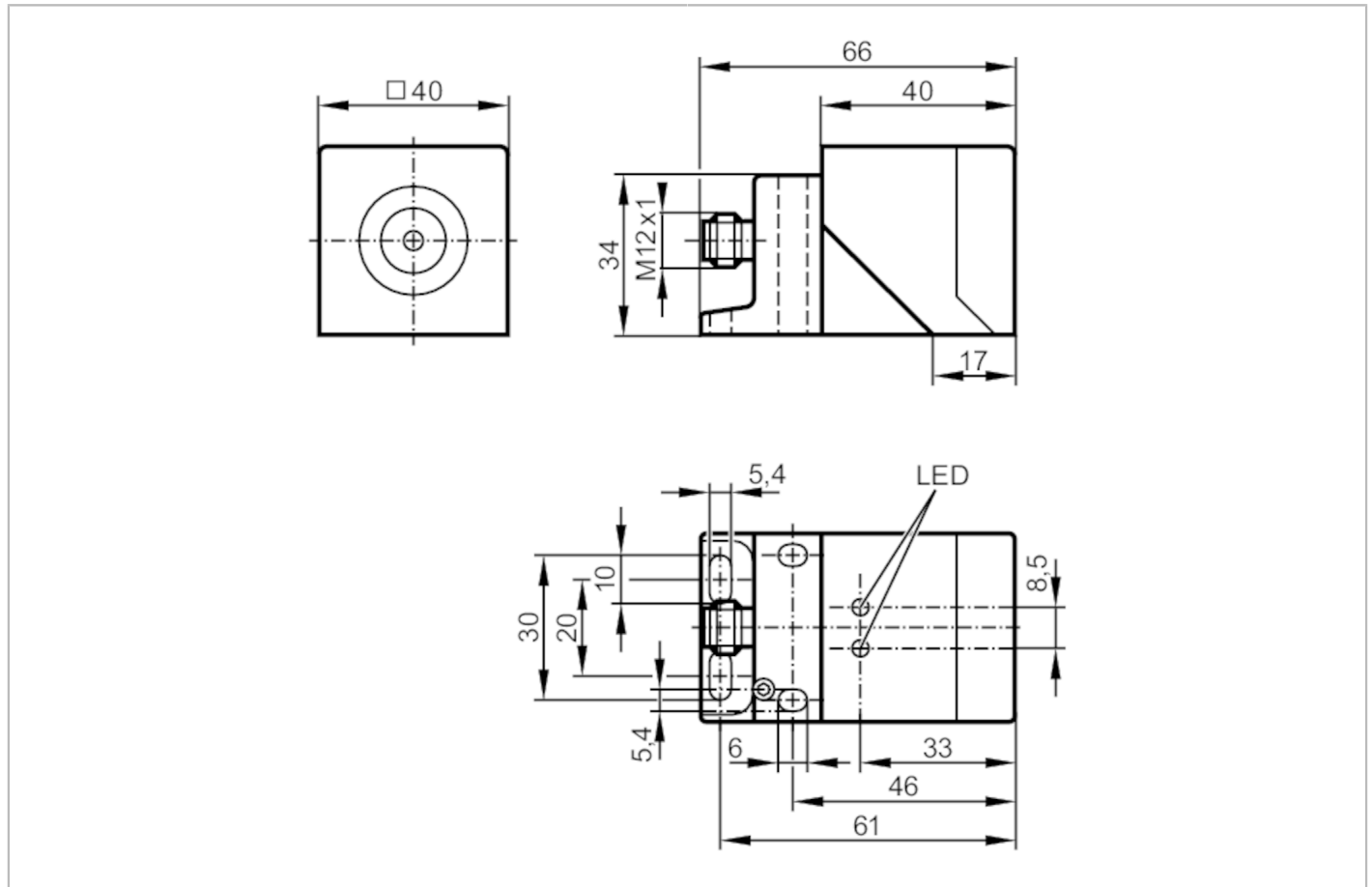


# GM705S



## Fail-safe inductive sensor

GIMC-4045-US/2OSSD



### Product characteristics

Electrical design	PNP
Output function	2 x OSSD (A1 and A2)
Housing	rectangular
Dimensions [mm]	40 x 40 x 66

### Application

Special feature	Gold-plated contacts
Type of operation	continuous operation (maintenance-free)
Application	industrial applications

### Electrical data

Operating voltage [V]	19.2...30 DC
Rated insulation voltage [V]	30
Current consumption [mA]	< 30
Protection class	III
Reverse polarity protection	yes
Max. power-on delay time [ms]	5000

# GM705S



## Fail-safe inductive sensor

GIMC-4045-US/2OSSD

Outputs	
Electrical design	PNP
Output function	2 x OSSD (A1 and A2)
Max. voltage drop switching output DC [V]	2.5; (100 mA)
Output data	Interface type C class 0
Output voltage at 24 V	compatible with EN 61131-2 inputs type 1, 2, 3
Short-circuit protection	yes
Max. capacitive load CL_max [nF]	20
Detection zone	
Enable zone [mm]	4...20
Safe switching-off distance s(ar) [mm]	45
Response times	
Response time to safety request [ms]	50
Response time when approaching the enable zone [ms]	200
Risk time (response time for safety-related faults) [ms]	100
Operating conditions	
Applications	class C to EN 60654-1 weatherproof application
Ambient temperature [°C]	-25...60
Note on ambient temperature	operational life ≤ 87600 h
Ambient temperature [°C]	10...40
Note on ambient temperature	operational life ≤ 175200 h
Rate of temperature change [K/min]	0.5
Max. relative air humidity [%]	briefly: 5...95 %; permanent: 5...70 %
Air pressure [kPa]	80...106
Max. height above sea level [m]	2000
Ionising radiation	not permissible
Salt spray	no
Protection	IP 65; IP 67

# GM705S



## Fail-safe inductive sensor

GIMC-4045-US/2OSSD

Tests / approvals		
EMC	IEC 60947-5-2	
	IEC 60947-5-3	
	EN 60947-5-3	
	EN 61000-4-2 ESD	6 kV CD / 8 kV AD
	EN 61000-4-3 HF radiated	20 V/m
	EN 61000-4-4 Burst	2 kV
	EN 61000-4-6 HF conducted	10 V
	EN 61000-4-8	30 A/m
Shock resistance	EN 55011	class B
Vibration resistance	IEC 60947-5-2	
UL approval	Ta	-25...70 °C
	Enclosure type	Type 1
	voltage supply	Limited Voltage/Current
	File number UL	E174191
Safety classification		
ISO 13849-1	category 3, PL e	
IEC 61508	SIL 3	
IEC 62061	SIL cl 3	
Mission time TM [h]	≤ 175200	
Mission time TM (additional indication)	20 years	
Safety-related reliability PFHD [1/h]	1E-08	
Mechanical data		
Weight [g]	355	
Housing	rectangular	
Mounting	non-flush mountable	
Dimensions [mm]	40 x 40 x 66	
Materials	PPE; diecast zinc	
Displays / operating elements		
Display	operation	1 x LED, green
	signal	1 x LED, yellow
Remarks		
Remarks	Unless stated otherwise, all data refer to the reference target plate to IEC 60947-5-2 over the whole temperature range. (FE360 = ST37K) 60x60x1 mm	
Pack quantity	1 pcs.	
Electrical connection - plug		
Connector: 1 x M12; Contacts: gold-plated		

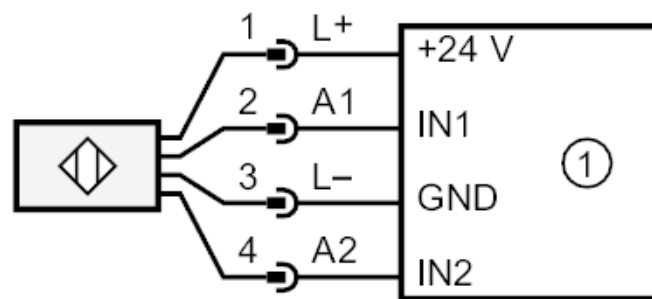
# GM705S

## Fail-safe inductive sensor

GIMC-4045-US/2OSSD



### Connection



1: safety-related logic unit