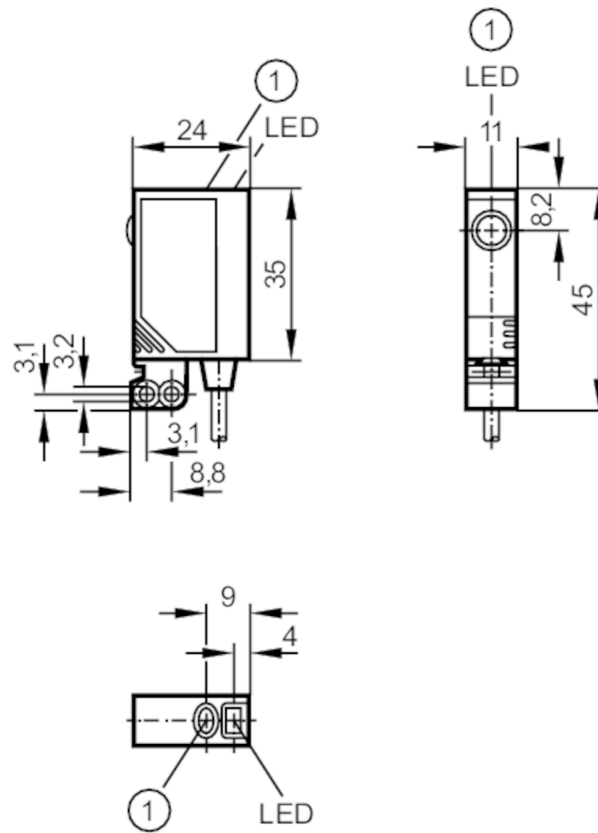




## Through-beam sensor transmitter

OJS-00KG/SO



1 pushbutton without function



### Product characteristics

Type of light	red light
Housing	rectangular
Dimensions [mm]	35 x 11 x 24

### Application

Function principle	Through-beam sensor
--------------------	---------------------

### Electrical data

Operating voltage [V]	10...30 DC
Current consumption [mA]	< 19
Protection class	III
Reverse polarity protection	yes
Type of light	red light
Wave length [nm]	660

### Outputs

Overload protection	yes
---------------------	-----

# OJ5033



## Through-beam sensor transmitter

OJS-00KG/SO

Detection zone		
Transmitter / receiver		transmitter
Range	[m]	< 10
Max. light spot diameter	[mm]	1000
Light spot dimensions refer to		at maximum range
Operating conditions		
Ambient temperature	[°C]	-25...60
Protection		IP 67
Tests / approvals		
EMC		EN 60947-5-2
MTTF	[years]	1764
Mechanical data		
Weight	[g]	71.5
Housing		rectangular
Dimensions	[mm]	35 x 11 x 24
Materials		housing: ABS; fixture: diecast zinc; LED window: SEPS; pushbutton: SEPS
Lens material		glass
Lens alignment		side lens
Displays / operating elements		
Display	operation	1 x LED, green
Accessories		
Accessories (supplied)		Basic clip: 1 x, E20964
		screws: 2 x x M3 x 16
		spring washers: 2 x
		Nuts: 2 x
Remarks		
Remarks		operating voltage "supply class 2" according to cULus
Pack quantity		1 pcs.

# OJ5033



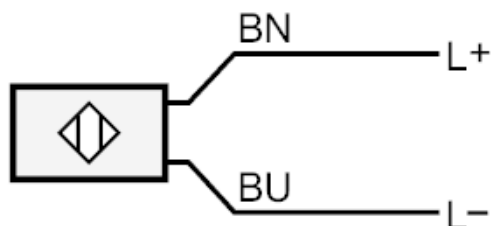
## Through-beam sensor transmitter

OJS-00KG/SO

### Electrical connection

Cable: 2 m, PVC; 2 x 0.14 mm<sup>2</sup>

### Connection



Core colours :

BN =

brown

BU =

blue