

## T-COUPLER M12FEM.8P/M12MALE 3P + M12MALE 4P+CABLE

T-coupler M12 – M12

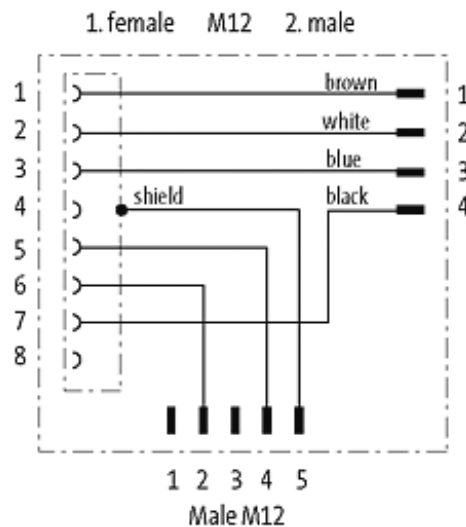
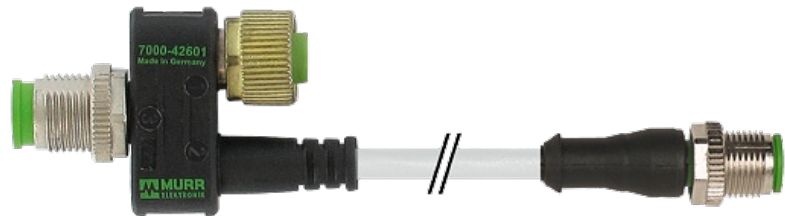
3-pole

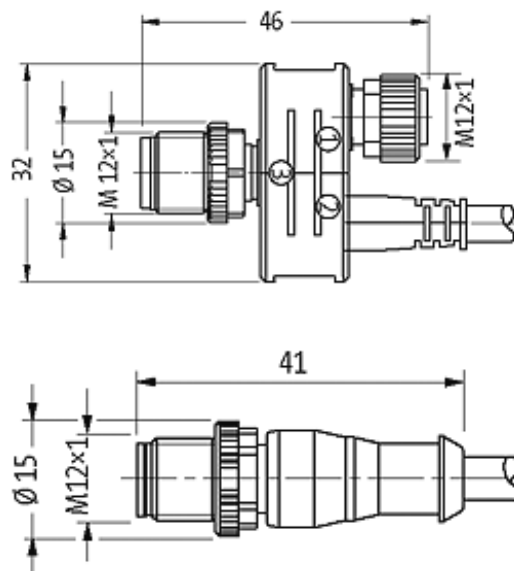
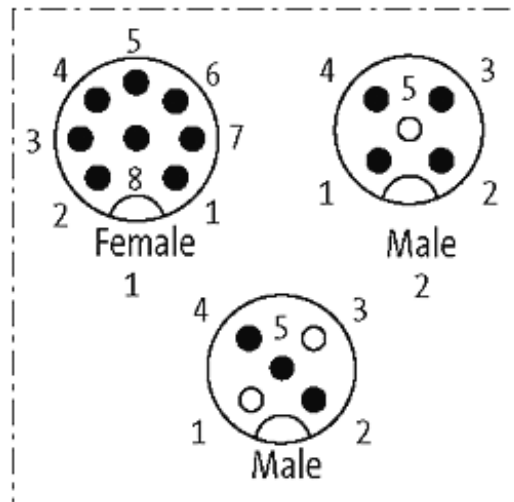
Connection cable 15 cm

Plastic housings with good resistance against chemicals and oils. The resistance to aggressive media should be individually tested for your application. Further details on request.

### [Link to Product](#)

#### Illustration





Product may differ from Image

**Form**

334011

**Technical Data**

|                               |                                                                   |
|-------------------------------|-------------------------------------------------------------------|
| Operating voltage             | max. 30 V AC/DC                                                   |
| Operating current per contact | max. 2 A                                                          |
| Locking of ports              | Screw thread M12 × 1 mm (recommended torque 0.6 Nm) self-securing |
| Protection                    | IP54                                                              |

**General data**

|                      |              |
|----------------------|--------------|
| Temperature range    | -25...+85 °C |
| Dimensions H × W × D | 223×33×15 mm |

**Commercial data**

|                       |          |
|-----------------------|----------|
| country of origin     | DE       |
| customs tariff number | 85444290 |

minimum order quantity

1