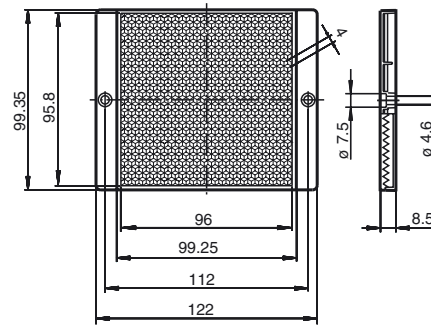


## Dimensions



## Technical data

### General specifications

Construction type	rectangular
-------------------	-------------

### Ambient conditions

Ambient temperature	-40 ... 70 °C (-40 ... 158 °F)
---------------------	--------------------------------

### Mechanical specifications

Material	PMMA
Dimensions	122 mm x 99.35 mm x 8.5 mm
Mounting	mounting holes

## Model Number

**REF-H100**

Reflector, rectangular 122 mm x 99.35 mm, mounting holes

## Features

- Mounting holes for simple installation