



Model number

VAZ-2T8-G11-F

Splitter box, flat cable, AS interface and auxiliary voltage to eight M12 connectors

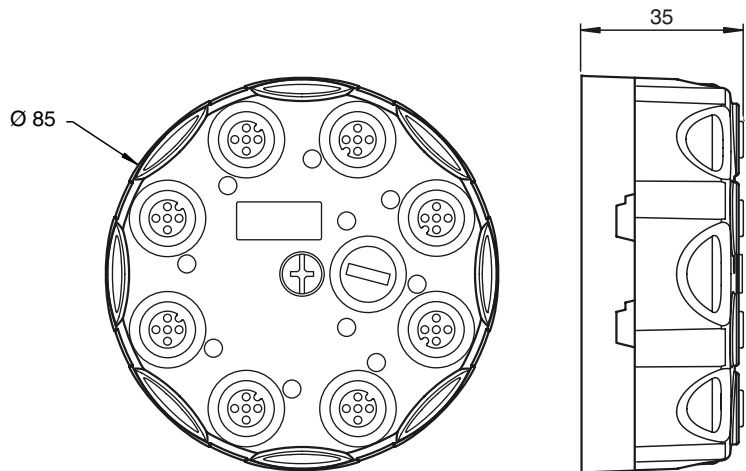
Features

- Less space required
- Field housing with protection degree IP67
- Simple and fast mounting
- Distribution to 8 V1 connectors (M12)

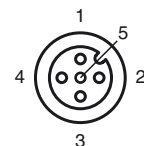
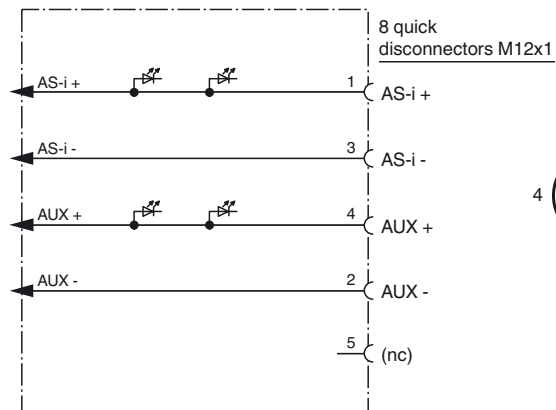
Function

The VAZ-2T8-G11-* splitter box is used to distribute the AS-Interface connection and the external auxiliary power to eight M12 x 1 quick disconnects. Due to its passivity the distributor does not require an own address on the AS-Interface-net. It is ideal for applications in the field owing to the protection class IP67. LEDs indicate correct polarity of the AS-Interface cable or the external auxiliary power.

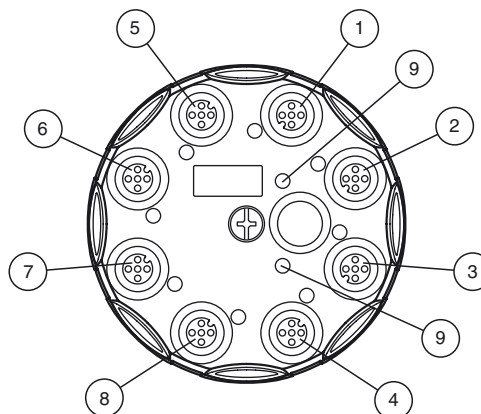
Dimensions



Electrical connection

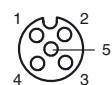


Indicating / Operating means



1 ... 8
Input / output 1 to 8

9
Status indication



Release date: 2012-03-13 08:25 Date of issue: 2014-01-13 22:4974_eng.xml

Technical data**Indicators/operating means**

LED AS-i	AS-Interface voltage; dual LED green/red green: voltage OK red: reversed voltage
LED AUX	ext. auxiliary voltage U_{AUX} ; dual LED green/red green: voltage OK red: reverse voltage

Electrical specifications

Rated operating voltage	U_e	≤ 32 V PELV (AS-Interface , ext. auxiliary voltage AUX)
Rated operating current	I_e	≤ 4 A
Protection class		III
Surge protection		overvoltage category III
Pulse withstand voltage		800 V

Ambient conditions

Ambient temperature	-25 ... 70 °C (-13 ... 158 °F)
Storage temperature	-25 ... 85 °C (-13 ... 185 °F)
Pollution Degree	3

Mechanical specifications

Protection degree	IP67 according to EN 60529
Connection	Flat cable AS-Interface: cable piercing method Flat cable ext. auxiliary voltage U_{AUX} : Insulation penetration technology Plug connection: M12 x 1 socket (V1)

Material

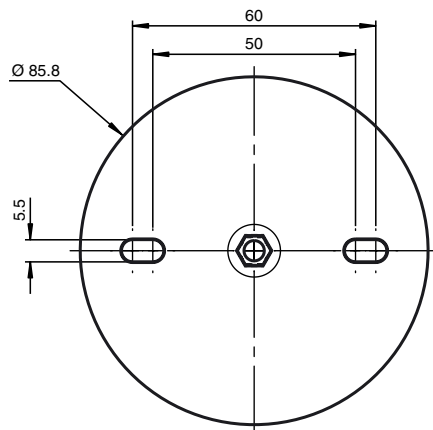
Contacts	CuSn / Au
Housing	PBT PC
Mounting screw	Stainless steel 1.4305 / AISI 303
Mass	120 g
Tightening torque, fastening screws	1.65 Nm
Mounting	Mounting base

Compliance with standards and directives

Standard conformity	
Protection degree	EN 60529:2000

Mounting instructions

Screw the device onto a level mounting surface using two M5 attachment screws. The attachment screws are not included.



Screw a blind plug onto spare connections to ensure the protection category.