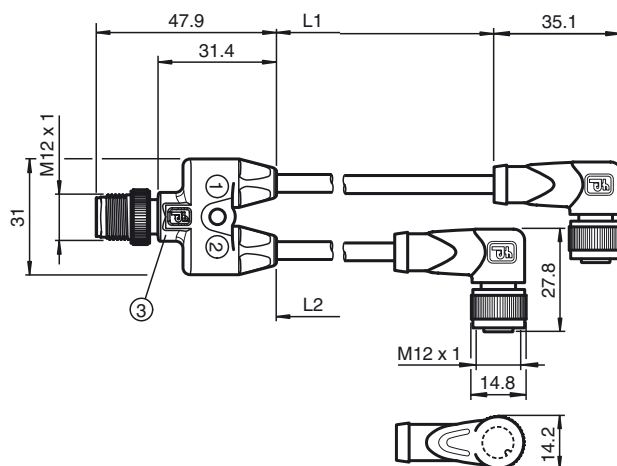




Dimensions



Model Number

V1-W-E2-BK0,3M-PUR-A-TV1-G

Y connecting cable, M12 to 2xM12, 4-pin, PUR cable

Features

- Simple assembling of 2 signals to one M12 plug-in station
- Built-in LED, as operating and functional indicator
- Immunity to vibration, with mechanical latching
- Flame resistant cable
- Suitable for drag chains
- Improved resistance to weld slag
- Suitable for robotic applications / torsion resistant
- Halogen-free
- Resistant to microbes and hydrolysis
- Free of paint coating substances

Technical data

General specifications

Number of pins 4

Indicators/operating means

LED green Operating display
LED yellow Functional display NO

Electrical specifications

Operating voltage U_B max. 24 V DC \pm 15%
Operating current I_B max. 4 A
Contact resistance < 10 m Ω
Surge protection overvoltage category III

Ambient conditions

Ambient temperature Body: -40 ... 90 °C (-40 ... 194 °F)
cable, fixed: -40 ... 80 °C (-40 ... 176 °F)
cable, flexing: -25 ... 80 °C (-13 ... 176 °F)
Pollution Degree 3

Mechanical specifications

Contact elements spring-loaded contact socket
Pin diameter 1 mm
Degree of protection IP67
Connection 1 x M12 connector, straight
2 x M12 right-angled sockets

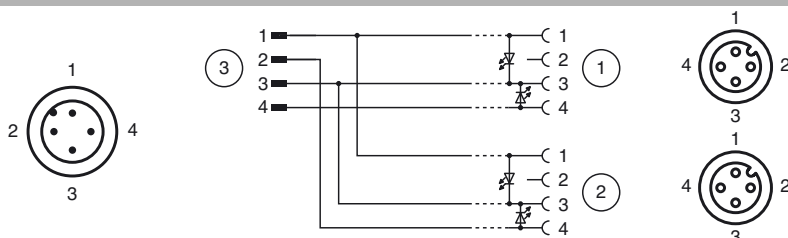
Material

Contacts CuSn / Au
Contact surface Au
Body TPU
Cable PUR
Slotted nut Diecast zinc
Sleeve connector Diecast zinc
Core insulation PP
Cable extra-fine wire, flexible
Sheath diameter \varnothing 4.3 mm
Bending radius > 10 x cable diameter, moving
> 5 x cable diameter, fixed
Color black
Cores 4 x 0.34 mm²
Conductor construction 42 x 0.1 mm \varnothing
Length L L1 = 0.3 m
L2 = 0.3 m

Drag chain suitability

Drag chain cycles \geq 5000000 (at max. 60 °C)
Motion velocity \leq 3.3 m/s
Traverse distance 5 m horizontal
Acceleration \leq 5 m/s²
Torsion cycles \geq 1000000 (at max. 60 °C)

Electrical connection



Release date: 2015-06-24 12:02 Date of issue: 2015-06-24 260170_eng.xml

Refer to "General Notes Relating to Pepperl+Fuchs Product Information".

Pepperl+Fuchs Group
www.pepperl-fuchs.com

USA: +1 330 486 0001
fa-info@us.pepperl-fuchs.com

Germany: +49 621 776 4411
fa-info@de.pepperl-fuchs.com

Singapore: +65 6779 9091
fa-info@sg.pepperl-fuchs.com

Torsional stress	± 180 °/m
Flammability	
Contact material	94 HB
Housing	94 V-2
Cable	FT2
Compliance with standards and directives	
Standard conformity	
Degree of protection	EN 60529:2000
Standards	IEC 61076-2-101:2008
Flammability	Grip: UL 94 Cable: UL 758 / UL 1581
Halogen-free	IEC 60754-1:1994/DIN VDE 0472-815

Release date: 2015-06-24 12:02 Date of issue: 2015-06-24 260170_eng.xml