

Air operated type Vacuum Regulator

SMC CORPORATION
4-14-1, Soto-Kanda, Chiyoda-ku,
Tokyo 101-0021, JAPAN
URL: <http://www.smcworld.com>

IRV2000-02*-DII00406

Feature : Pneumatic signal-controlled vacuum regulator



2-Rc1/4

Specifications

Regulating pressure range	-100 to -1.3kPa
Input signal pressure	0 to 300kPa
Ambient and fluid temperature	5 to 60
Port size	Rc1/4
Pressure gauge port size	Rc1/8 (2 locations)
Weight(kg) [Without accessory]	0.45kg

How to Order

IRV2000 - 02 - DII00406

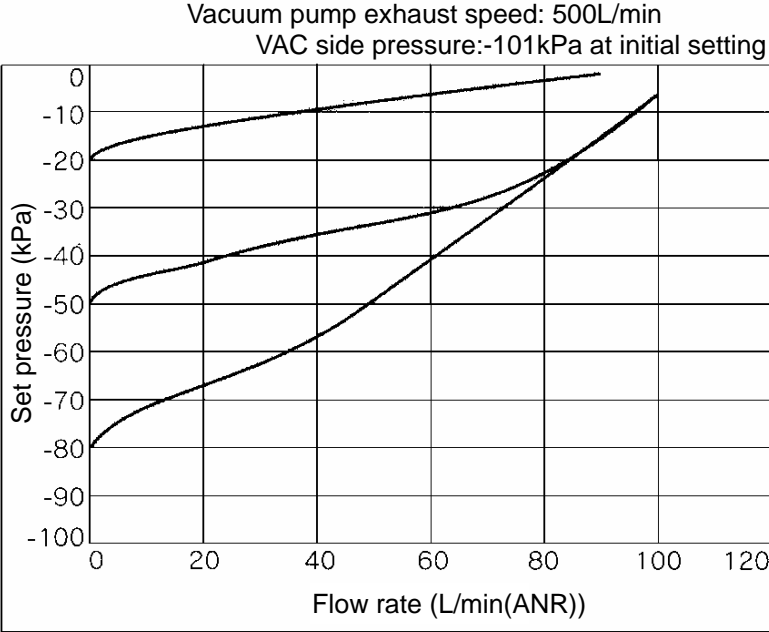
Air operated type

Port size Accessory

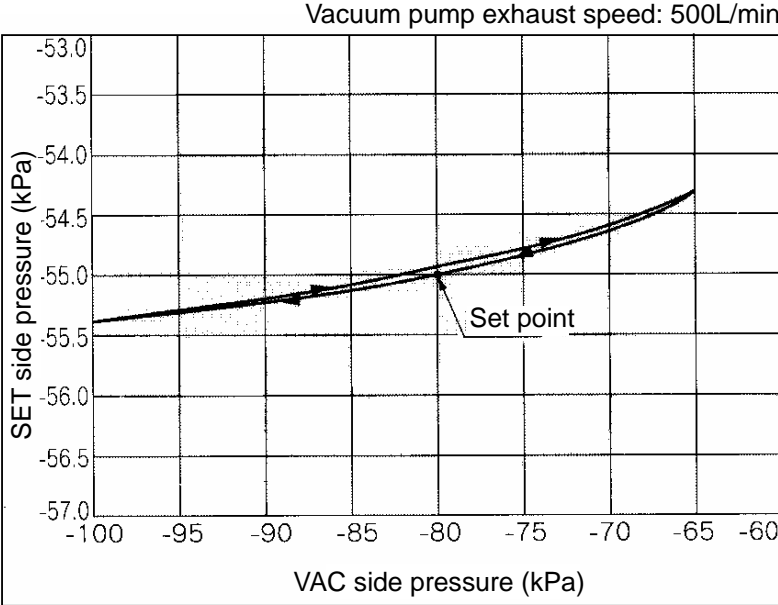
02: Rc1/4 Nil : None

B : With bracket

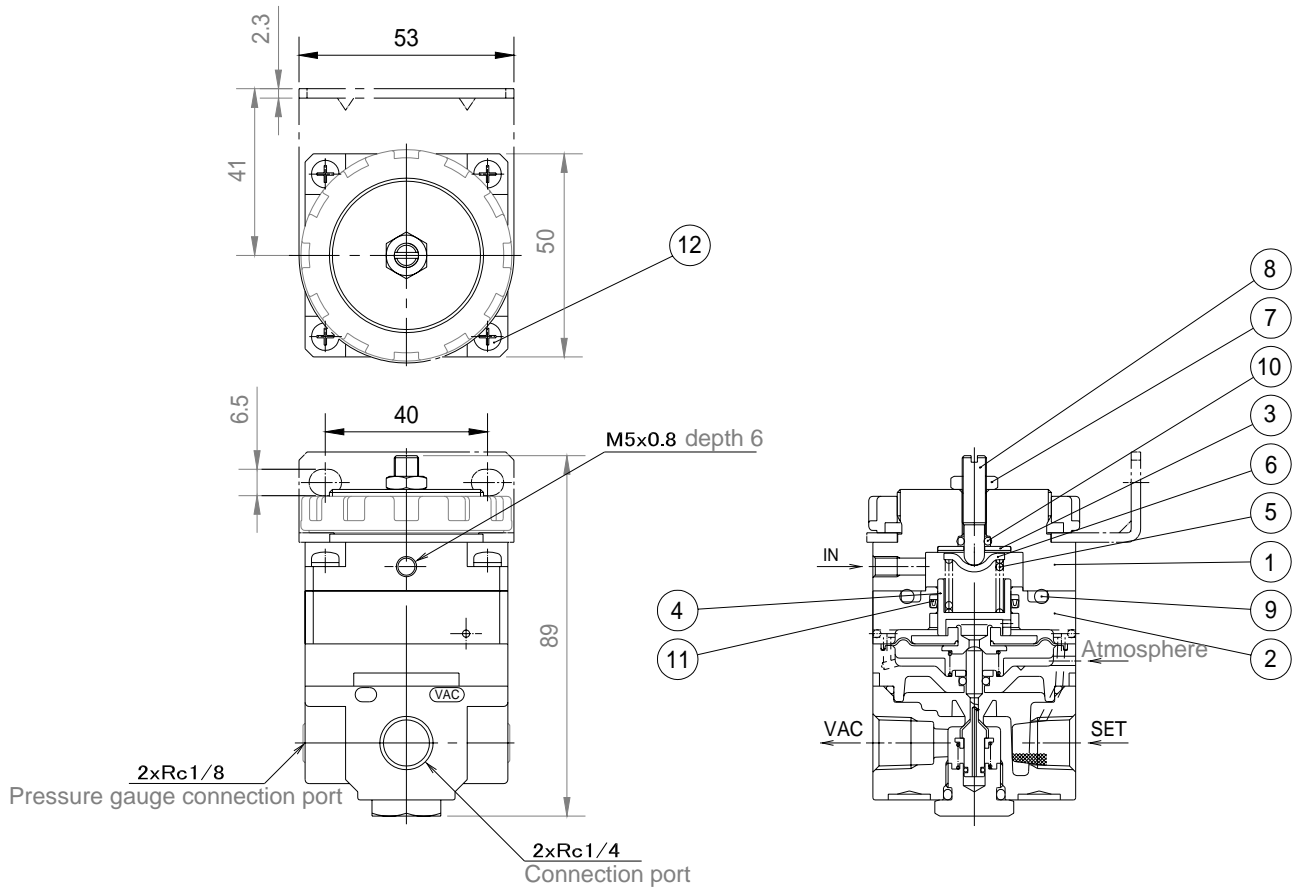
Flow Characteristics



Pressure Characteristics



Construction·Dimensions: mm



No.	Description	Material
	Bonnet	Aluminum alloy
	Ring	Aluminum alloy
	O-ring guide	Aluminum alloy
	Shaft	POM
	Spring	Stainless steel
	Adjusting spring guide	SPC3
	Lock nut	Brass
	Adjusting screw guide	-
	O-ring	NBR
	O-ring	NBR
	Seal	NBR
	Round head Phillips screw	M4x35

Parts other than the above are the same as the standard type (IRV2000-02*).



Caution: To ensure the safest possible operation of this product, please be sure to read thoroughly the "Safety Instructions" in our "Best Pneumatics" general catalog before use.