

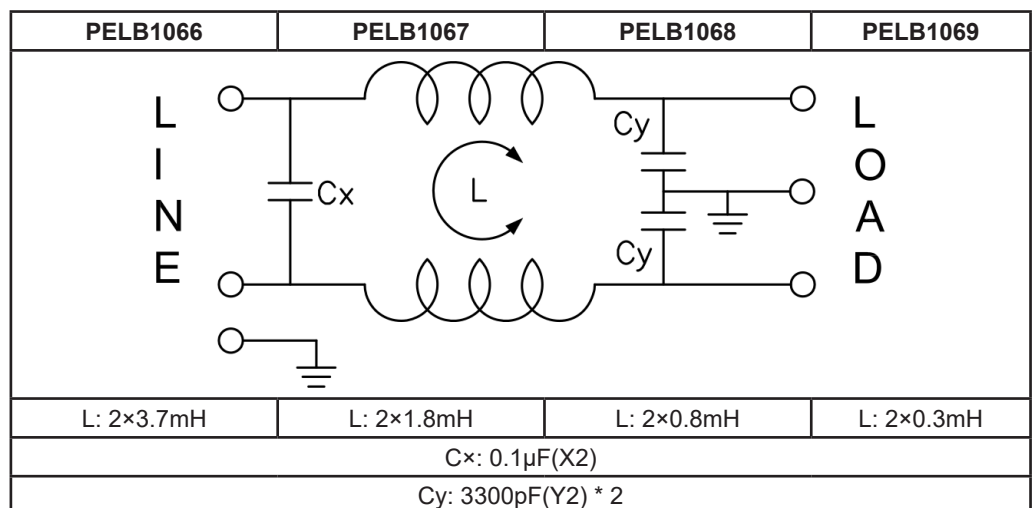
**RoHS
Compliant**



Characteristics

Part Number	PELB1066	PELB1067	PELB1068	PELB1069
Voltage Rating	115/250V AC			
Current Rating A. @ 115 V AC B. @ 250 V AC	1A RMS Max. 1A RMS Max.	3A RMS Max. 3A RMS Max.	6A RMS Max. 6A RMS Max.	10A RMS Max. 10A RMS Max.
Operating Frequency	50/60Hz			
Leakage Current A. @ 115 V AC/60Hz B. @ 250 V AC/50Hz	Each Line to Ground 0.3mA Max. 0.6mA Max.			
Hipot Rating A. Line to Ground B. Line to Line	(For one minute) 2250V AC 1450V DC			
Insulation Resistance	50mΩ at 500V DC any input or output to Ground			
Temperature Range	-25°C to +85°C			

Electrical Schematic

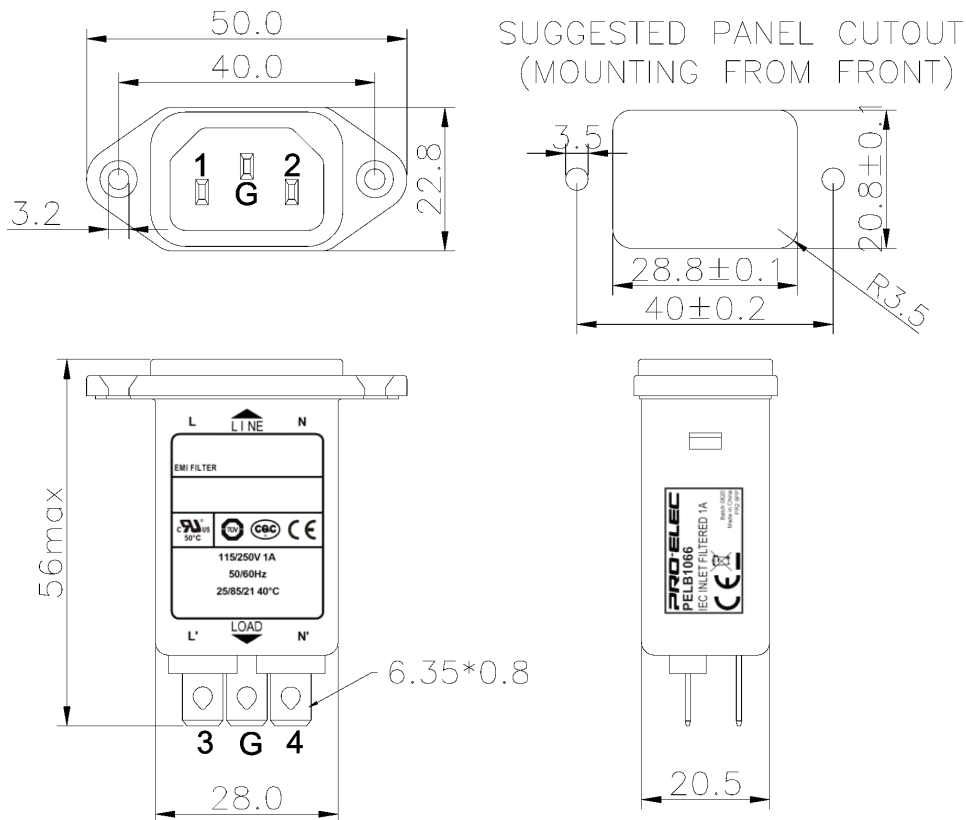


Safety Compliance

CE : 2011NT0616551
 CQC : CQC14001104342/CQC19001226449
 CB : STIEP-3025
 TUV : B0899310001
 UL : E471748

Dimension Limit	Tolerance
0 - 10	±0.3
10 - 100	±0.5
100 - 150	±0.8
150 - 200	1.0

Physical Dimensions



Dimensions : Millimetres

Part Number Table

Description	Part Number
Filtered IEC Inlet C14, 250V AC, 1A	PELB1066
Filtered IEC Inlet C14, 250V AC, 3A	PELB1067
Filtered IEC Inlet C14, 250V AC, 6A	PELB1068
Filtered IEC Inlet C14, 250V AC, 10A	PELB1069

Important Notice : This data sheet and its contents (the "Information") belong to the members of the AVNET group of companies (the "Group") or are licensed to it. No licence is granted for the use of it other than for information purposes in connection with the products to which it relates. No licence of any intellectual property rights is granted. The Information is subject to change without notice and replaces all data sheets previously supplied. The Information supplied is believed to be accurate but the Group assumes no responsibility for its accuracy or completeness, any error in or omission from it or for any use made of it. Users of this data sheet should check for themselves the Information and the suitability of the products for their purpose and not make any assumptions based on information included or omitted. Liability for loss or damage resulting from any reliance on the Information or use of it (including liability resulting from negligence or where the Group was aware of the possibility of such loss or damage arising) is excluded. This will not operate to limit or restrict the Group's liability for death or personal injury resulting from its negligence. pro-ELEC is the registered trademark of Premier Farnell Limited 2019.