

## Supporting Elements · for clamps

23200.0030



### Product Description

Supporting elements are used in combination with clamps.

#### Material

##### Knurled screw

- Brass

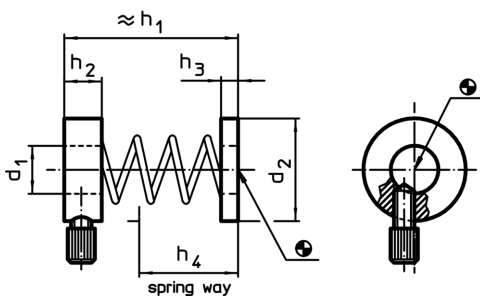
##### Rings

- Aluminium, highly refractory

##### Spring

- stainless steel

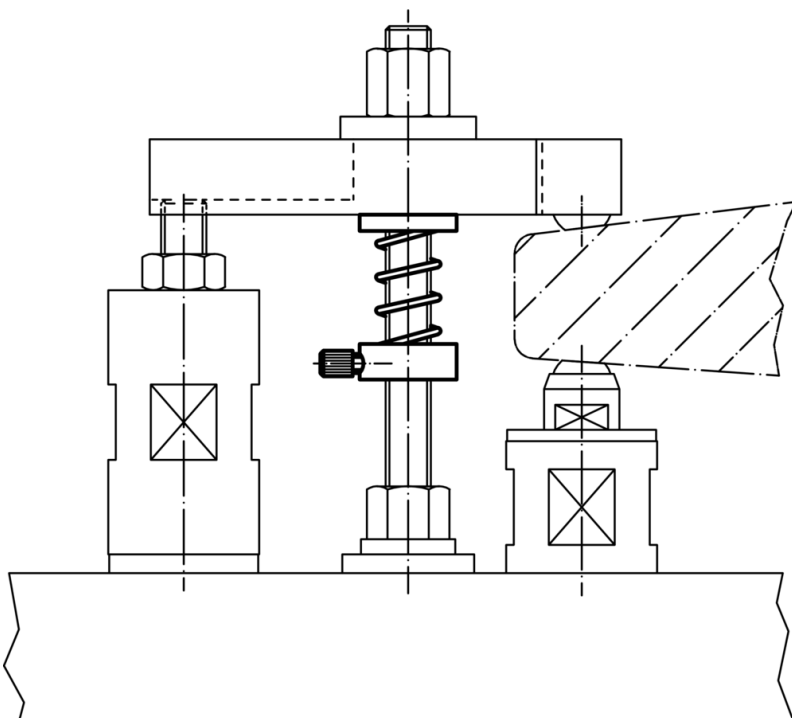
### Drawing



### Order information

d <sub>1</sub>	d <sub>2</sub>	Dimensions				For screw	[g]	Art. No.
		h <sub>1</sub> [mm]	h <sub>2</sub>	h <sub>3</sub>	h <sub>4</sub>			
16.5	35	60	12	5	35	M16	44	23200.0030

### Application example



## Compliance

Non-RoHS compliant

Contains SVHC substances >0,1% w/w

Does not contain Proposition 65 substances

Free from Conflict Minerals

This product does not contain any substances designated as "conflict minerals" such as tantalum, tin, gold or tungsten from the Democratic Republic of Congo or adjacent countries.