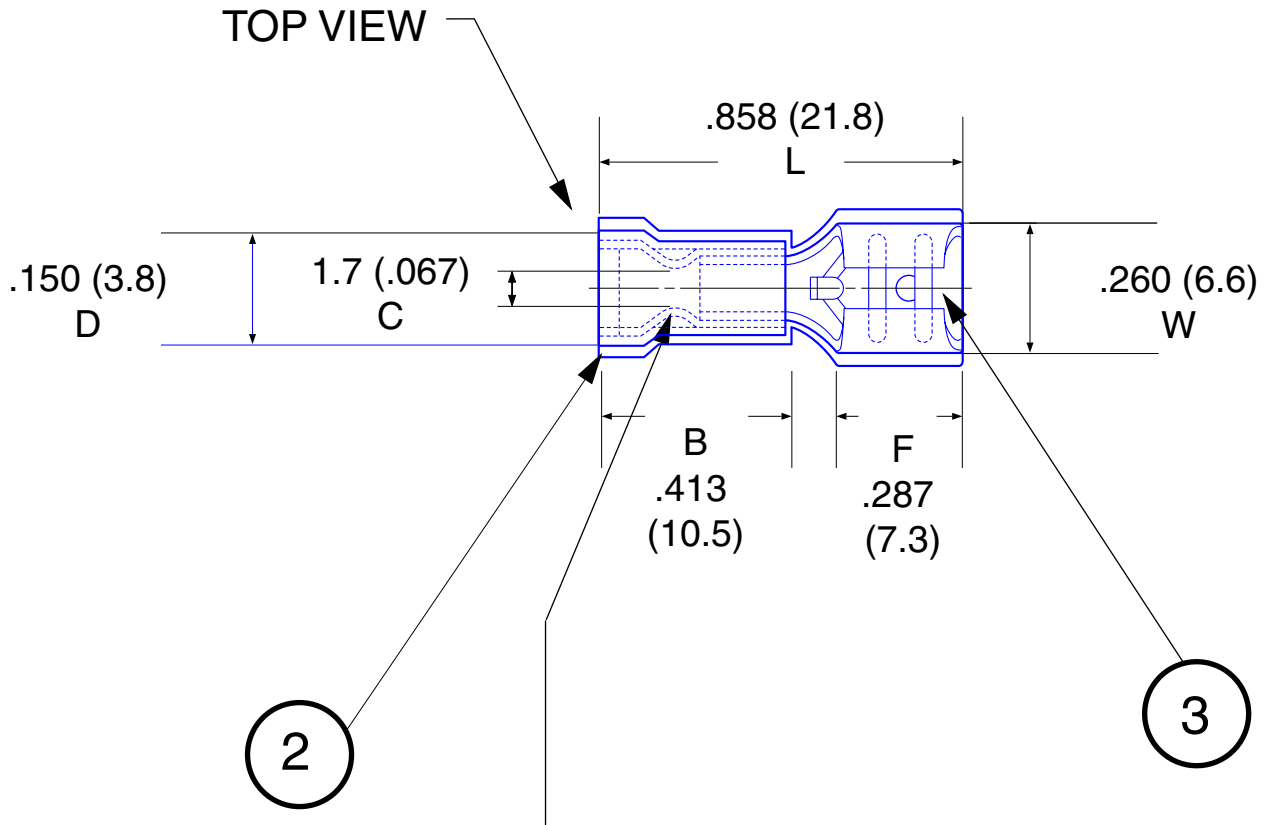


Fully Insulated Female Disconnect
 Part No: LVHDF2216T250A

SYM.	CHANGES	BY	DATE



TIN PLATED
 COPPER INSULATION
 SUPPORT SLEEVE

22/16 AWG

Thermal spec: 75° C
 Insulation Class: UL94V2
 Electrical Specs: 10 Amps, 300 Volts
 TOLERANCE ±.4
 Measurement units: inches (mm)

HOFFMAN CADFILE

NO.	1	2	3
NAME	CONNECTOR	INSULATOR	NEMA TAB
MAT'L.	BRASS	VINYL	.032 X .250 0.8 x 6.35
REMARKS	TIN PLATED	RED	
APPROVED BY:	CHECKED BY:	DRAWN BY:	



HOFFMAN PRODUCTS

20700 Hubbell Avenue, Oak Park, MI 48237
 Tel: 1-800-645-2014 • Fax: 1-800-908-1295
 Web: www.hoffmanproducts.com

DATE:	TITLE: FULLY INSULATED FEMALE DISCONNECT	
SCALE: FREE	PART NO. LVHDF2216T250A	
DRAWING NO. H1533	PART NAME	ISSUE