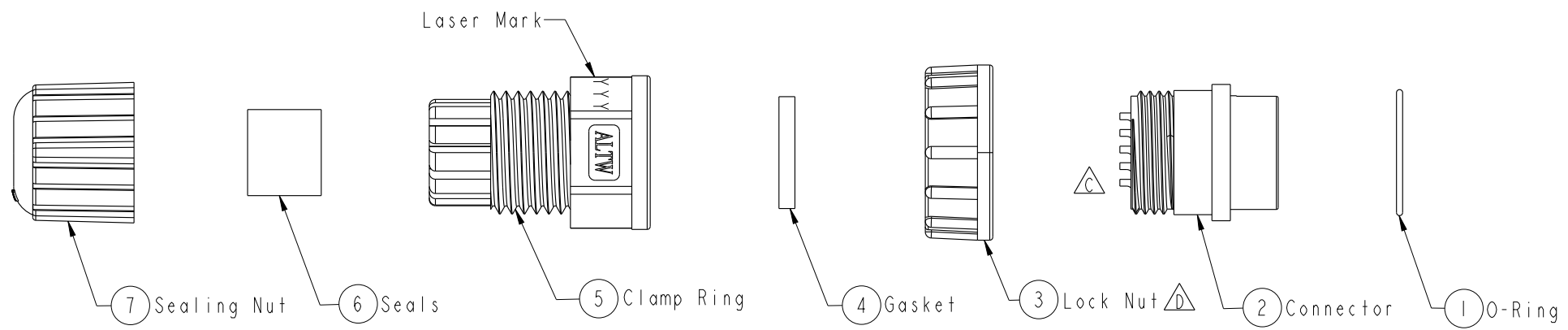


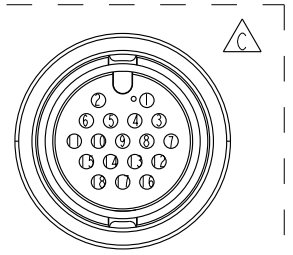
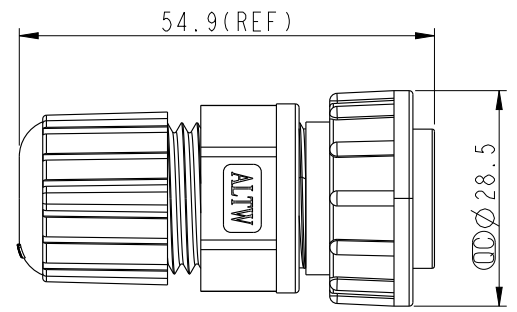
THIS DOCUMENT IS SUBJECT TO CHANGE WITHOUT NOTICE. IT IS CONFIDENTIAL AND A PROPERTY OF AMPHENOL LTW. DISCLOSURE TO THIRD PARTY HAS TO BE AUTHORIZED BY AMPHENOL LTW.

REV.	ECN NO.	DATE	SIGN	DESCRIPTION
B	LEN-860090	2008/06/02	Vicky	Add laser mark.
C	LEN-0C0605	2010/11/26	Ivan	Change View
D	LEN16B0184	2016/11/19	Mafei	Updated The Nut to Lock Nut and Note.

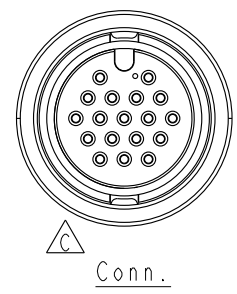


ALTW
CONFIDENTIAL
2016-11-19
R&D DEPT.

ALTW
DCC. DEPT.
CONFIDENTIAL
2016.11.22
ISSUED



Pin Assignments
Front View



- Note:
- * (CC) Important Dimension To Check.
 - * Waterproof Rate: IP67
 - * Housing: Nylon+GF, Black
 - * Female Pin: Copper Alloy, Gold Plated
 - * O-Ring: EPDM, Black
 - * Lock Nut: Nylon+GF, Black
 - * Gasket: EPDM, Black
 - * Clamping Ring: Nylon, Black
 - * Seals: EPDM, Black
 - * Sealing Nut: Nylon, Black
 - * Seals for Cable OD: $\varnothing 5.5\text{m} \sim \varnothing 10.8\text{mm}$
 - * One Set Unassembled in One PE Bag
 - * Laser Mark: 工單號碼(6碼)
字型 Simplex; 字高 2mm.

UNIT: mm		
TOLERANCE		
.X	± 0.25	
.XX	± 0.1	
.XXX	± 0.05	
ANGLES	$\pm 1^\circ$	

TITLE Large Assy Lock 18Pin F Conn F Pin			
SCALE 1:1	SIZE A4	SHEET 1 OF 1	
REV. D	WC-REV. A.2	(CC): Inspection item	

Amphenol LTW
安費諾亮泰企業股份有限公司

ITEM NO. DD-18BFFA-LL7001	DRAWN BY Mafei	DATE 2016-11-19
DWG NO. DD-18BFFA-LL7001	CHECKED BY Youdan	DATE 2016-11-19
CUSTOMER ALTW	APPROVED BY Jerry	DATE 2016-11-19