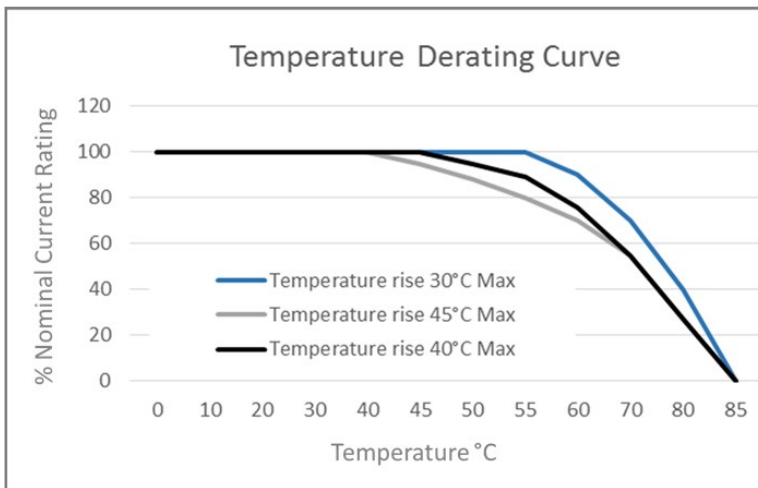


IEC Inlet Filters General Purpose

The RID series of general purpose IEC inlet filters offer good performance for both common mode and differential mode interface, in a standard compact size.

A standard IEC inlet filter available from Roxburgh EMC with quick and easy mounting.

- Current ratings, 1A, 3A, 6A and 10A.
- Rated at 250V.
- Also available with increased x and y caps for optimum performance.
- Customisation services available
- Available from UK stock



Refer to technical specification for specific temperature ratings

Meets overvoltage category II of IEC60664
Complies with BS EN 60950

| | |
|----------------------|------------------|
| UL Standard | UL1283 |
| IEC Standard: | IEC 60939-2:2005 |
| CSA Standard | C22.2 |
| CSA File No. | 207414 |

Features:

- UL Approved
- General Purpose
- 1 to 10 Amp Current Ratings
- IEC Inlet with fast-on termination

Application Examples:

- Digital Equipment
- Point-of-sale equipment
- Printers
- Inverters
- Vending and Gaming machines

Benefits:

- Quick and easy mounting
- Safety approvals held
- UK stock

Contact us on:

Tel: +44 (0) 1724 273228

Email: roxburghemc@dem-uk.com

DEM Manufacturing
Deltron Emcon House
Hargreaves Way
Sawcliffe Industrial Park
Scunthorpe
DN15 8RF



Tel: 44 (0) 1724 273200
Fax: 44 (0) 1724 280353
Email: sales@dem-uk.com
Web: www.dem-uk.com/roxburgh

A. General Specifications

| Model | Rated Voltage AC,DC[V] | Rated Current [A] | Leakage Current Max. [mA] | Temperature Rise Max. [°C] |
|---------------|---------------------------|----------------------|------------------------------|-------------------------------|
| RID-01*2-*** | 250 | 1 | 0.35 | 30 |
| RID-01*3-*** | 250 | 1 | 0.50 | 30 |
| RID-02*2-*** | 250 | 2 | 0.35 | 30 |
| RID-02*3-*** | 250 | 2 | 0.50 | 30 |
| RID-03*2-*** | 250 | 3 | 0.35 | 30 |
| RID-03*3-*** | 250 | 3 | 0.50 | 30 |
| RID-06*2-*** | 250 | 6 | 0.35 | 45 |
| RID-06*3-*** | 250 | 6 | 0.50 | 45 |
| RID-10*2-*** | 250 | 10 | 0.35 | 45 |
| RID-10*3-*** | 250 | 10 | 0.50 | 45 |
| RID-***0-*** | 250 | * | 0.01 | * |
| RID-L03*2-*** | 250 | 3 | 0.35 | 45 |
| RID-L03*3-*** | 250 | 3 | 0.50 | 45 |
| RID-N03*D-*** | 250 | 3 | 0.10 | 30 |
| RID-N03*3-*** | 250 | 3 | 0.50 | 30 |

*Leakage current measuring method

UL 1283(3rd Edition): -26 and Fig 26.1

*Temperature rise measuring method

VDE 0565-3 : - 2.3.3 and - 4.5

B. Operating Temperature Range

-25°C to +85°C including temperature rise.

C. Withstand Voltage

1500V AC for 1 minute between line and ground.

1800V DC for 1 minute between line and line.

D. Insulation Resistance

300M Ω minimum at 500V DC between line and ground.

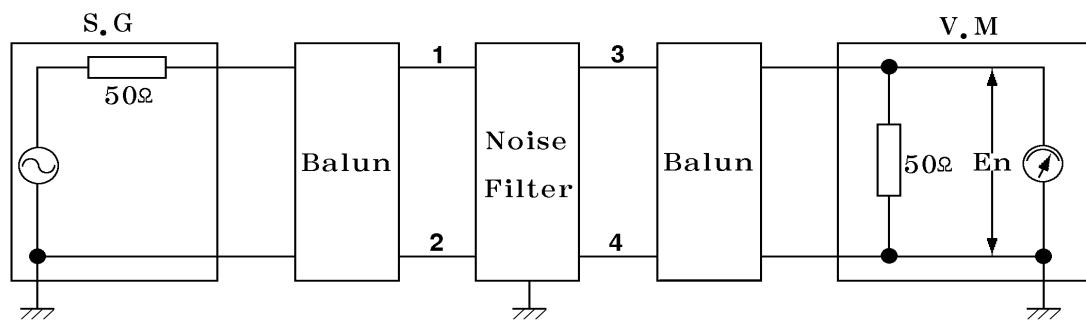
E. Voltage Drop

1 volt maximum at rated current.

F. Circuit Diagram and Component Values

- Refer to attached Appendix page A1

G. Attenuation Measuring Method



OSC Level : 0dB

Insertion loss = $-20\log(E1/E2)$ [dB]

E1 : Level with the Noise Filter in the circuit.

E2 : Level without the Noise Filter in the circuit.

H. Guaranteed Minimum Attenuation In [dB]

- Refer to attached Appendix page A2

I. Shape and Dimension

- Refer to attached Appendix page A3

Item : EMI Filter
Model No : RID-Series

Rev 5

4 - 4

J. Marking

1. Trademark.
2. Model No.
3. Rated Voltage and Current.
4. Operating temperature range.
5. Circuit Diagram and Component Value.
6. Lot No.
7. UL, CSA, Mark.(Except for RID-1042-**,RID-1043-**,RID-10A2-**,RID-***0-**)

K. Material List

- Refer to attached Appendix page A4

L. Packing

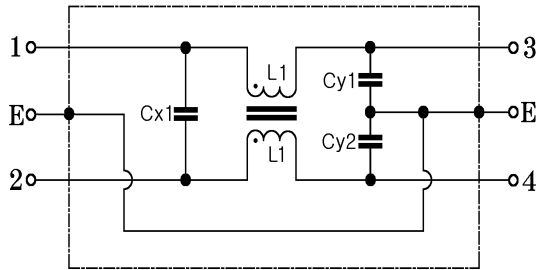
- Refer to attached Appendix page A5

M. Installation instruction

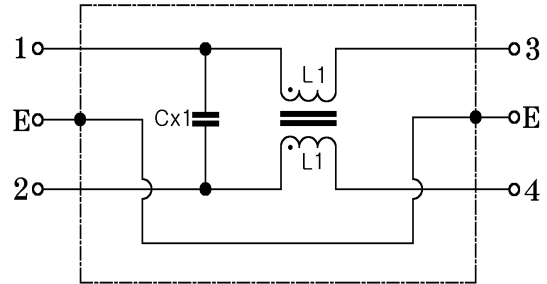
- Refer to attached Appendix page A6
-

※ .Circuit Diagram and Component Values

1. RID-****-*** TYPE



2. RID-***0-*** TYPE



| Model No. | Inductance L1[mH]+50%-30% | Capacitance Cx1[μ F] \pm 20% | Capacitance Cy1, Cy2[pF] \pm 20% |
|----------------|------------------------------|--|--|
| RID-01***-*** | 6.0 | * | * |
| RID-02***-*** | 2.4 | * | * |
| RID-03***-*** | 1.2 | * | * |
| RID-06***-*** | 0.53 | * | * |
| RID-10***-*** | 0.26 | * | * |
| RID-L03***-*** | 2.4 | * | * |
| RID-N03***-*** | 5.7 | * | * |
| RID-**22-*** | * | 0.022 | 2200 |
| RID-**23-*** | * | 0.022 | 3300 |
| RID-**42-*** | * | 0.047 | 2200 |
| RID-**43-*** | * | 0.047 | 3300 |
| RID-**AD-*** | * | 0.1 | 470 |
| RID-**A2-*** | * | 0.1 | 2200 |
| RID-**A3-*** | * | 0.1 | 3300 |
| RID-**B3-*** | * | 0.15 | 3300 |
| RID-***0-*** | * | * | (do not exist) |

Item : EMI Filter

Rev 5

Model No : RID-Series(Appendix)

A 2 - 1

※ .Guaranteed Minimum Attenuation In [dB]

| Model | Common mode [MHz] | | | | | | | Normal mode [MHz] | | | | | | |
|-------------|-------------------|------|----|----|----|----|----|-------------------|------|----|----|----|----|----|
| | 0.15 | 0.45 | 1 | 2 | 5 | 10 | 30 | 0.15 | 0.45 | 1 | 2 | 5 | 10 | 30 |
| RID-0122-** | 32 | 42 | 48 | 47 | 47 | 48 | 52 | 6 | 12 | 20 | 40 | 44 | 47 | 50 |
| RID-0123-** | 32 | 45 | 50 | 49 | 49 | 50 | 55 | 6 | 12 | 20 | 42 | 46 | 48 | 50 |
| RID-0142-** | 32 | 42 | 49 | 48 | 48 | 48 | 53 | 11 | 20 | 28 | 53 | 55 | 57 | 60 |
| RID-0143-** | 33 | 46 | 50 | 50 | 50 | 50 | 53 | 11 | 19 | 29 | 57 | 56 | 58 | 60 |
| RID-01A2-** | 30 | 42 | 49 | 49 | 49 | 50 | 60 | 15 | 22 | 32 | 48 | 52 | 62 | 57 |
| RID-01A3-** | 32 | 43 | 52 | 50 | 50 | 52 | 52 | 14 | 21 | 32 | 52 | 55 | 65 | 55 |
| RID-0222-** | 23 | 34 | 40 | 46 | 49 | 51 | 55 | 6 | 12 | 18 | 26 | 52 | 54 | 60 |
| RID-0223-** | 23 | 34 | 43 | 50 | 51 | 54 | 56 | 6 | 12 | 16 | 30 | 55 | 55 | 60 |
| RID-0242-** | 23 | 34 | 40 | 45 | 45 | 50 | 55 | 11 | 19 | 25 | 35 | 50 | 54 | 60 |
| RID-0243-** | 23 | 34 | 42 | 49 | 52 | 55 | 57 | 11 | 19 | 22 | 38 | 52 | 55 | 60 |
| RID-02A2-** | 24 | 31 | 40 | 47 | 47 | 50 | 55 | 15 | 22 | 28 | 45 | 49 | 58 | 58 |
| RID-02A3-** | 22 | 32 | 42 | 50 | 50 | 54 | 50 | 15 | 20 | 25 | 48 | 52 | 60 | 60 |
| RID-0322-** | 17 | 27 | 34 | 40 | 43 | 47 | 50 | 6 | 12 | 18 | 20 | 50 | 52 | 55 |
| RID-0323-** | 17 | 29 | 37 | 42 | 48 | 51 | 55 | 6 | 12 | 17 | 20 | 55 | 55 | 58 |
| RID-0342-** | 18 | 28 | 34 | 40 | 45 | 48 | 55 | 11 | 20 | 26 | 31 | 48 | 52 | 60 |
| RID-0343-** | 18 | 27 | 37 | 42 | 48 | 50 | 55 | 11 | 19 | 23 | 30 | 50 | 53 | 60 |
| RID-03A2-** | 15 | 25 | 33 | 40 | 47 | 50 | 54 | 12 | 22 | 28 | 38 | 45 | 55 | 55 |
| RID-03A3-** | 16 | 25 | 35 | 42 | 50 | 55 | 52 | 15 | 21 | 26 | 37 | 50 | 56 | 56 |
| RID-0622-** | 11 | 21 | 28 | 34 | 39 | 42 | 50 | 6 | 12 | 19 | 22 | 45 | 50 | 55 |
| RID-0623-** | 11 | 22 | 30 | 38 | 45 | 48 | 55 | 6 | 12 | 19 | 20 | 50 | 52 | 57 |
| RID-0642-** | 11 | 21 | 27 | 33 | 40 | 43 | 53 | 11 | 20 | 27 | 31 | 44 | 50 | 57 |
| RID-0643-** | 11 | 21 | 29 | 36 | 43 | 48 | 55 | 11 | 20 | 26 | 28 | 49 | 52 | 57 |
| RID-06A2-** | 10 | 19 | 28 | 33 | 42 | 46 | 62 | 15 | 22 | 28 | 38 | 40 | 49 | 56 |
| RID-06A3-** | 10 | 21 | 30 | 37 | 45 | 50 | 52 | 15 | 22 | 30 | 34 | 45 | 55 | 57 |
| RID-1022-** | 5 | 13 | 20 | 27 | 33 | 38 | 48 | 6 | 12 | 20 | 24 | 33 | 47 | 55 |
| RID-1023-** | 5 | 15 | 23 | 30 | 35 | 40 | 50 | 6 | 12 | 19 | 22 | 40 | 50 | 58 |
| RID-1042-** | 3 | 15 | 21 | 26 | 33 | 38 | 43 | 10 | 20 | 25 | 30 | 34 | 40 | 46 |
| RID-1043-** | 6 | 18 | 24 | 31 | 39 | 42 | 48 | 10 | 20 | 26 | 31 | 41 | 47 | 59 |

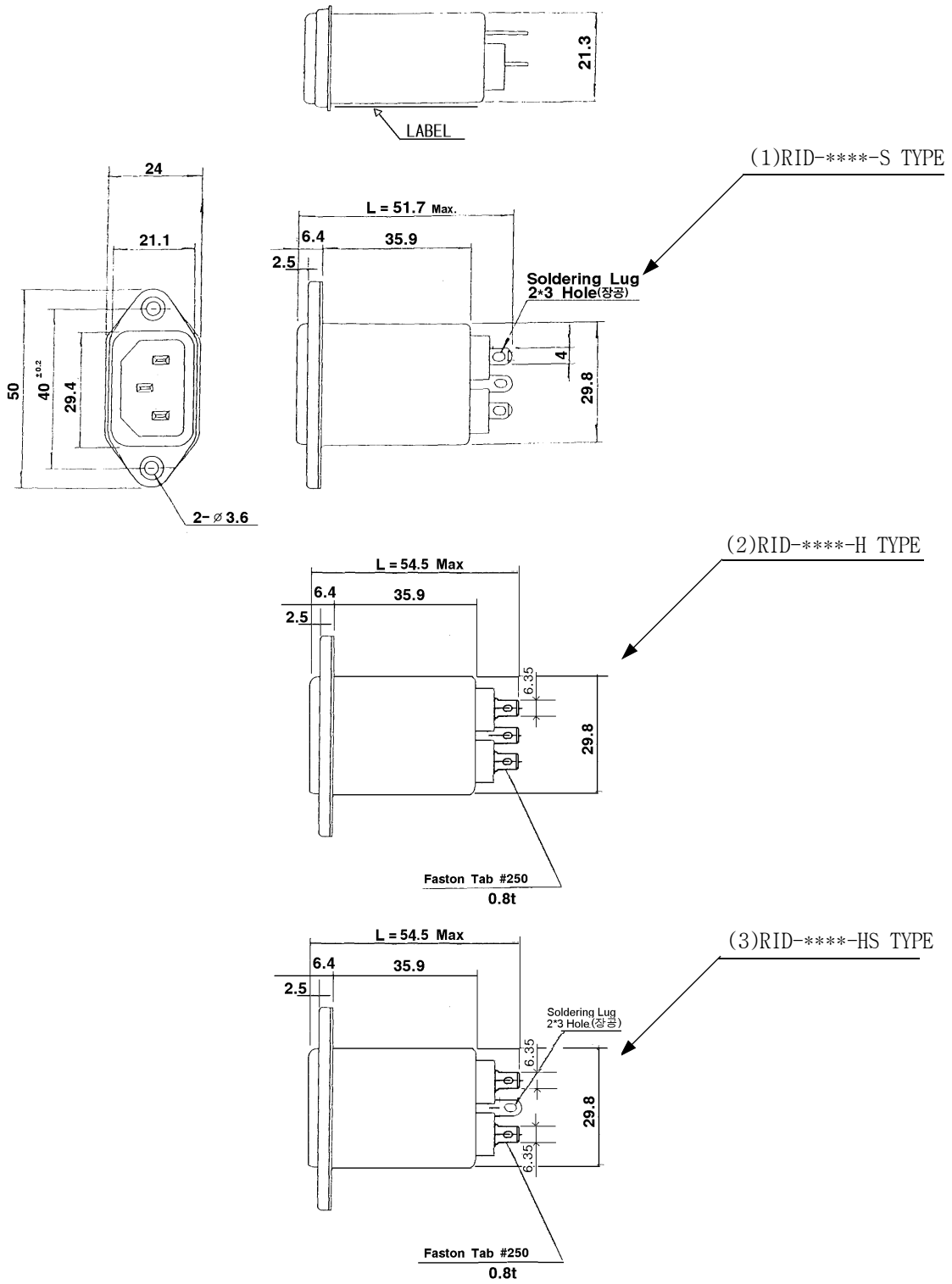
Item : EMI Filter
Model No : RID-Series(Appendix)

Rev 5
A 2 - 2

※.Guaranteed Minimum Attenuation In [dB]

| Model | Common mode [MHz] | | | | | | | Normal mode [MHz] | | | | | | |
|---------------|-------------------|------|----|----|----|----|----|-------------------|------|----|----|----|----|----|
| | 0.15 | 0.45 | 1 | 2 | 5 | 10 | 30 | 0.15 | 0.45 | 1 | 2 | 5 | 10 | 30 |
| RID-10A2-*** | 6 | 17 | 23 | 28 | 35 | 39 | 52 | 15 | 26 | 32 | 39 | 30 | 44 | 57 |
| RID-L0322-*** | 23 | 34 | 40 | 46 | 49 | 51 | 55 | 6 | 12 | 18 | 26 | 52 | 54 | 60 |
| RID-L0323-*** | 23 | 34 | 43 | 50 | 51 | 54 | 56 | 6 | 12 | 16 | 30 | 55 | 55 | 60 |
| RID-L0342-*** | 23 | 34 | 40 | 45 | 45 | 50 | 55 | 11 | 19 | 25 | 35 | 50 | 54 | 60 |
| RID-L0343-*** | 23 | 34 | 42 | 49 | 52 | 55 | 57 | 11 | 19 | 22 | 38 | 52 | 55 | 60 |
| RID-L03A2-*** | 24 | 31 | 40 | 47 | 47 | 50 | 55 | 15 | 22 | 28 | 45 | 49 | 58 | 58 |
| RID-L03A3-*** | 22 | 32 | 42 | 50 | 50 | 54 | 50 | 15 | 20 | 25 | 48 | 52 | 60 | 60 |
| RID-0640-*** | 7 | 17 | 22 | 22 | 22 | 18 | 12 | 8 | 18 | 24 | 32 | 40 | 32 | 25 |
| RID-N03B3-*** | 23 | 31 | 38 | 40 | 41 | 43 | 40 | 12 | 21 | 29 | 35 | 45 | 51 | 56 |

※ .Shape and Dimension Unit : [mm]



※GENERAL TOLERANCE : ±0.3mm

※ .Packing

1. Quantity & Weight

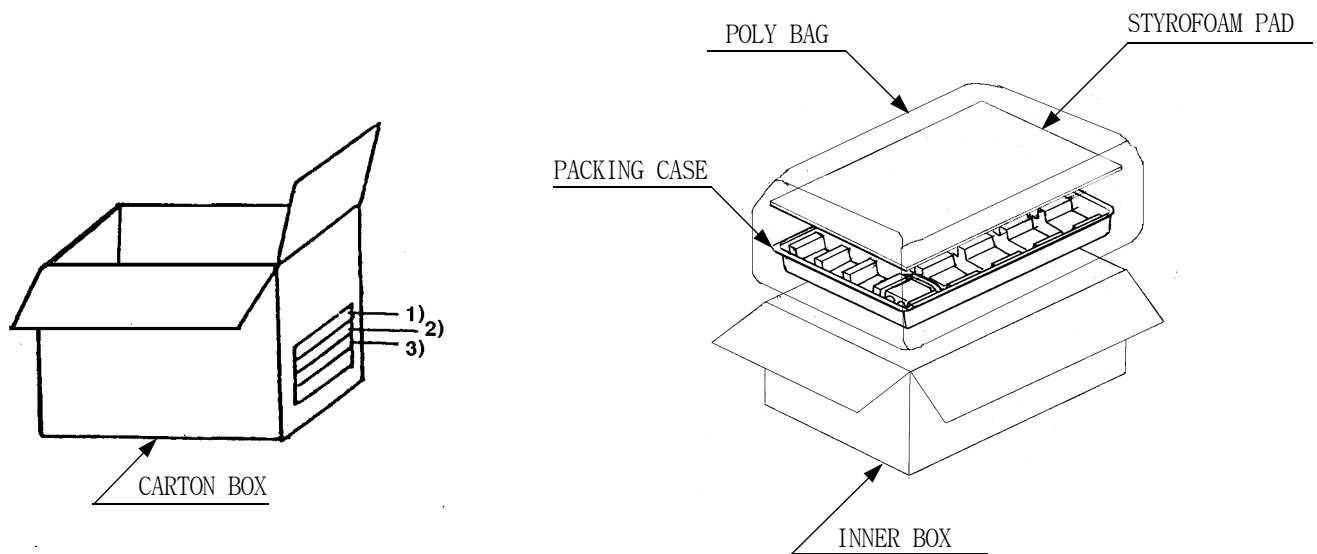
| Packing Case | Q'ty/ 1 Box | Gross Weight(kg) |
|--------------|-------------|------------------|
| Carton Box | 400 | 22.4 |
| Inner Box | 100 | 5.1 |

2. Packing Case

| Packing Case | Q'ty | Material | Dimension(W×L×Hmm) |
|---------------|-------|-------------|--------------------|
| Carton Box | 1/400 | SK3SA | 306×385×293 |
| Inner Box | 1/100 | SKSA B type | 186×296×136 |
| Packing Case | 1/20 | P.E.T | 295×185×32.5(0.6t) |
| Styrofoam Pad | 1/100 | PS | 290×178×8t |
| Poly Bag | 1/100 | P.E ,t=30u | 400×470 |

3. Marking

- 1) Model No.
- 2) Q'ty of products
- 3) Lot No.



※ Installation instruction

When mounting, the clearance of min. 30.5 x 22.5mm(area 1 in the standard sheet C14) to guarantee the normative inserting of connectors shall be maintained durable by built-in.

