

## MIL-PP push-pull connectors

### The new standard in push-pull connectors

- Ultra-lightweight
- Ultra high-pitch contact density, up to 30 ways
- Fully environmentally sealed
- High-speed data capability, inc USB and Ethernet
- Robust design for the most demanding environments
- Positive, blind mateable, key-keyway engagement system
- Fully scoop-proof, to prevent accidental contact damage
- RoHS, Reach & WEEE compliant
- Low-lustre, non-reflective, black finish



---

## Specifications:

### Materials

- Shells: Aluminium Alloy (Aerospace grade)
- Insulators: Rigid Polymer
- Contacts: Copper alloy

### Standard Plating Finishes

- Metal parts: Non-reflective black finish (ROHS compliant).
- Contacts: Gold

### Mechanical Features

- Coupling: push pull, blind mating.
- Keying: 5 orientations available
- Contact type: Solder and PCB pins
- Contact Retention: Assembled and injection moulded in position.
- Endurance: 5000 operations minimum

### Environmental Ratings

- Temperature Range: -55 to +125°C
- Vibration: 16hrs random
- Sealing: IP68 mated
- Salt Spray: 1000 Hours

### Electrical Characteristics

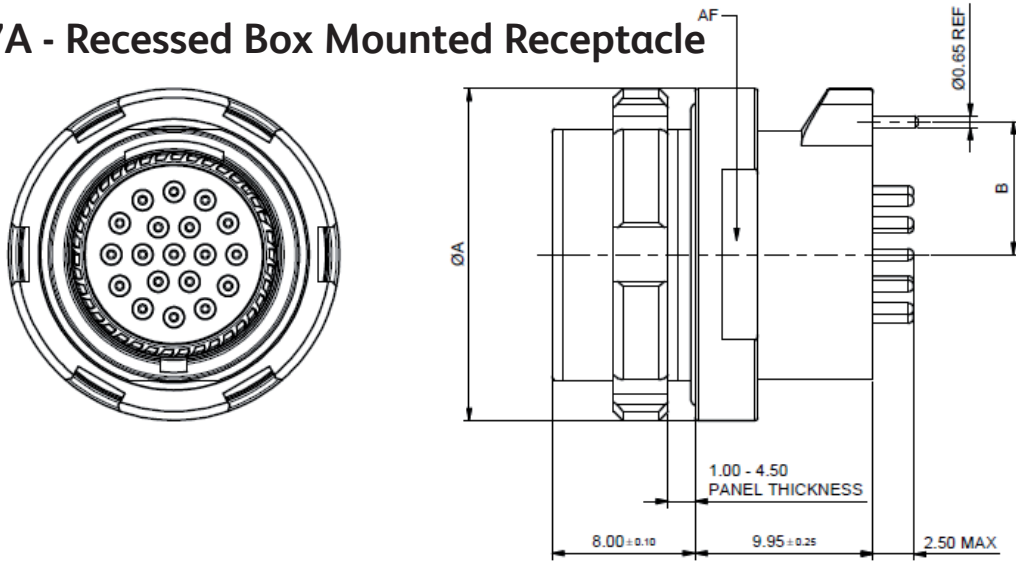
- Insulation resistance: 30,000Mohms
- Dielectric withstand voltage: 750v AC
- Current rating: 3amps @ 40°C
- Contact resistance <5m ohm
- Shell to shell continuity <5m ohm
- Recommended max wire size is 24AWG

---

### General Note

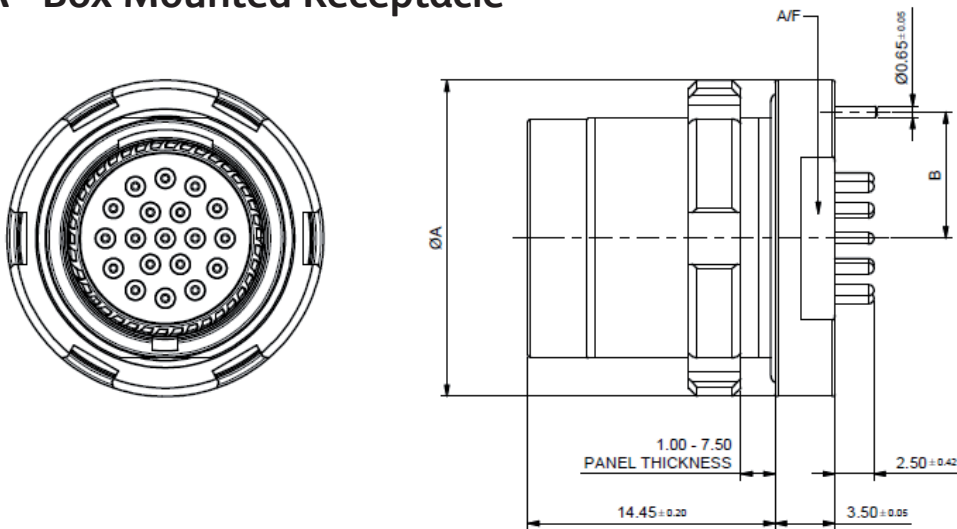
TT Electronics reserves the right to make changes in product specification without notice or liability.  
All information is subject to TT Electronics' own data and is considered accurate at time of going to print.

### Style 27A - Recessed Box Mounted Receptacle



Dimensions				Weight (g)	
Size	ØA Max	B ±0.1	AF	PIN	SKT
02	14.60	5.40	12.00	3.831	4.691
04	16.60	6.40	14.00	5.020	6.610
06	18.60	7.40	16.00	5.630	8.030

### Style 24A - Box Mounted Receptacle

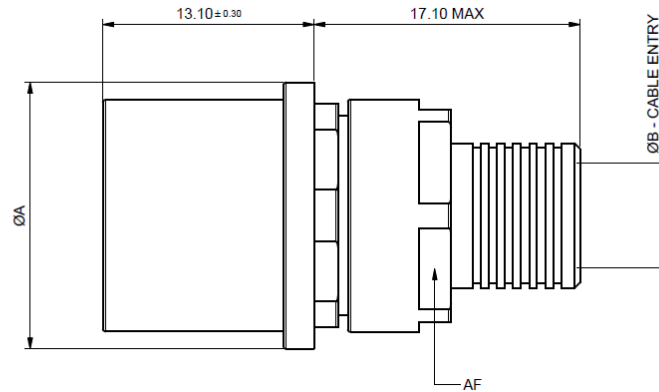
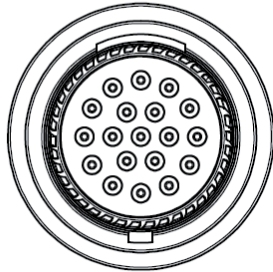


Dimensions				Weight (g)	
Size	ØA Max	B ±0.1	AF	PIN	SKT
02	14.60	5.40	12.00	3.62	4.48
04	16.60	6.40	14.00	4.94	6.53
06	18.60	7.40	16.00	5.13	7.53

**General Note**

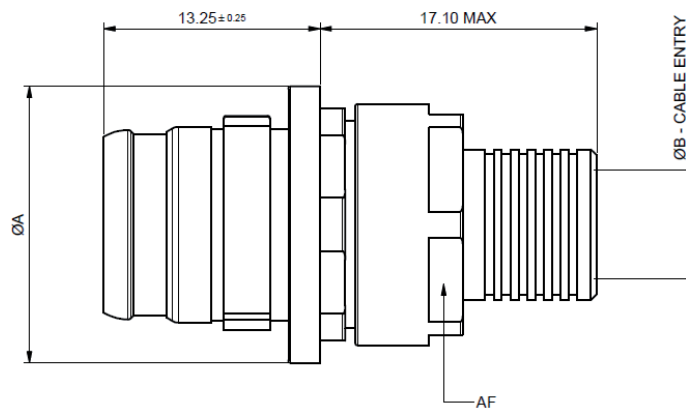
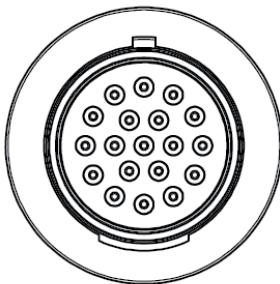
TT Electronics reserves the right to make changes in product specification without notice or liability. All information is subject to TT Electronics' own data and is considered accurate at time of going to print.

## Style 01K Cable Mounted Receptacle



Dimensions					Weight (g)	
Size	Cable Entry Size	ØA Max	ØB Min	AF	PIN	SKT
02	02	12.55	4.45	3/8" AF	3.502	3.962
04	02	14.55	4.45	1/4" BSF	4.812	6.442
04	04	14.55	6.45	1/4" BSF	4.732	6.362
06	02	16.55	4.45	5/16" BSF	6.257	8.687
06	04	16.55	6.45	5/16" BSF	6.264	8.694
06	06	16.55	8.45	5/16" BSF	6.434	8.864

## Style 06K Cable Mounted Plug



Dimensions					Weight (g)	
Size	Cable Entry Size	ØA Max	ØB Min	AF	PIN	SKT
02	02	12.55	4.45	3/8" AF	3.000	3.850
04	02	14.55	4.45	1/4" BSF	5.950	5.950
04	04	14.55	6.45	1/4" BSF	5.870	5.870
06	02	16.55	4.45	5/16" BSF	5.593	6.604
06	04	16.55	6.45	5/16" BSF	5.600	6.611
06	06	16.55	8.45	5/16" BSF	5.770	6.781

**General Note**

TT Electronics reserves the right to make changes in product specification without notice or liability. All information is subject to TT Electronics' own data and is considered accurate at time of going to print.

### Part Number Explanation

ABSC 06K B 06 19 P N XX

**Shell Style:**

- 06K = Cable Plug
- 01K = Cable Receptacle
- 24A = Box Receptacle
- 27A = Recessed Box Receptacle
- 04T = Box Receptacle, solder
- 07T = Recessed Box Connector, solder

**Material and Finish:**

- B = Non-reflective Black

**Shell size:**

- 02, 04, 06

**Insert Arrangement** - See table 1

**Contact type:**

- P = Pin
- S = Socket

**Orientation :**

- N = Normal
- Alternative A,B,C,D
- See Table 2

**Cable Entry (if applicable)**

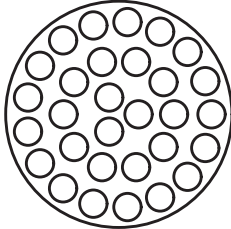
- 04 & 06

\*Shell styles 06K and 01K only, omit if shell size is equal to entry size  
 \*\*Entry size larger than shell size not permissible

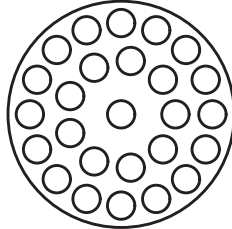
**General Note**

TT Electronics reserves the right to make changes in product specification without notice or liability.  
 All information is subject to TT Electronics' own data and is considered accurate at time of going to print.

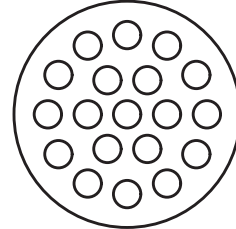
### Table 1 Planforms



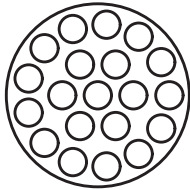
Size: 06  
Planform: 30



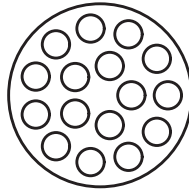
Size: 06  
Planform: 26\*



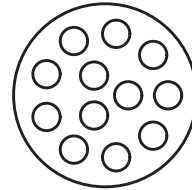
Size: 06  
Planform: 19



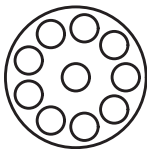
Size: 04  
Planform: 20



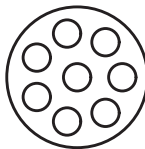
Size: 04  
Planform: 16\*



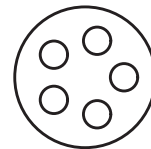
Size: 04  
Planform: 12\*



Size: 02  
Planform: 10



Size: 02  
Planform: 08\*



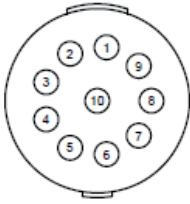
Size: 02  
Planform: 05\*

**General Note**

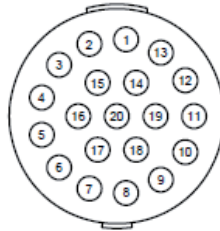
TT Electronics reserves the right to make changes in product specification without notice or liability. All information is subject to TT Electronics' own data and is considered accurate at time of going to print.

## Contact Arrangements View of Termination Side (Pin Contact Type)

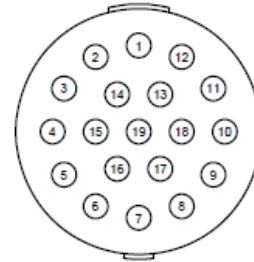
Size 02  
10 way



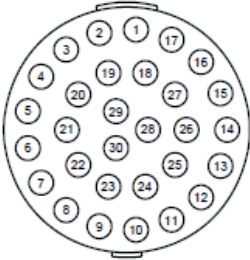
Size 04  
20 way



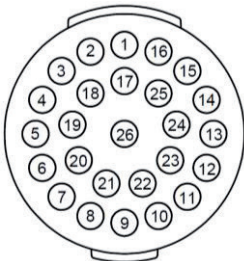
Size 06  
19 way



Size 06  
30 way



Size 06  
26 way

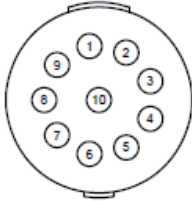


**General Note**

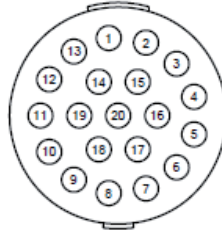
TT Electronics reserves the right to make changes in product specification without notice or liability.  
All information is subject to TT Electronics' own data and is considered accurate at time of going to print.

## Contact Arrangements View of Termination Side (Socket Contact Type)

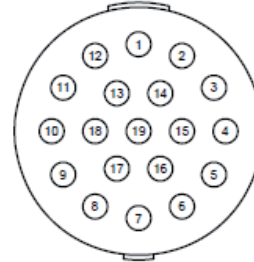
Size 02  
10 way



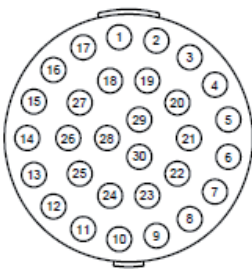
Size 04  
20 way



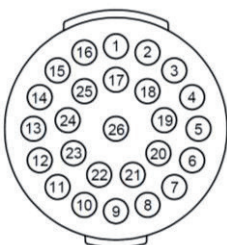
Size 06  
19 way



Size 06  
30 way



Size 06  
26 way



**General Note**

TT Electronics reserves the right to make changes in product specification without notice or liability. All information is subject to TT Electronics' own data and is considered accurate at time of going to print.