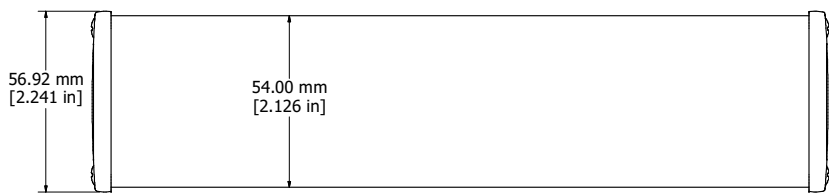
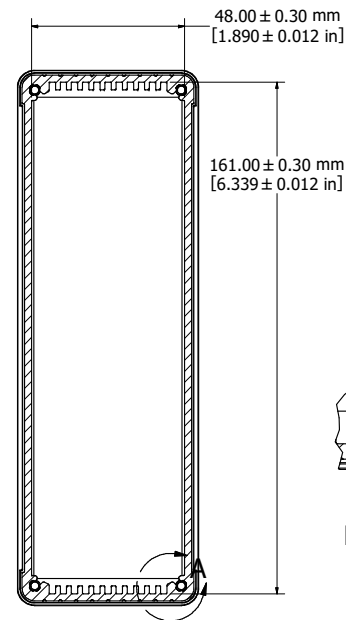


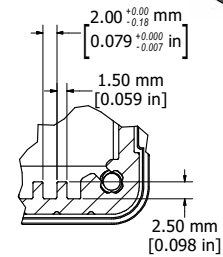
ASSEMBLY - VIEW FROM TOP



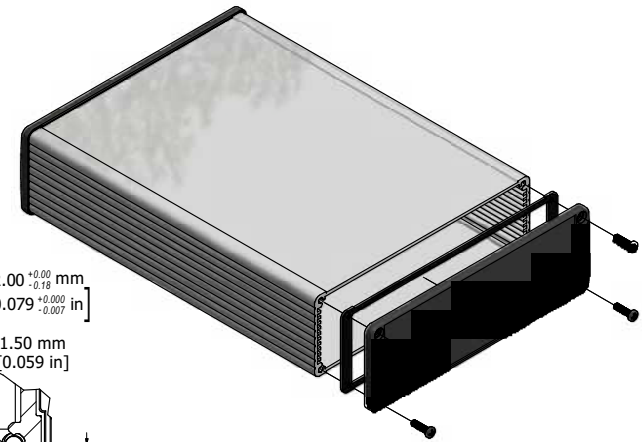
ASSEMBLY - VIEW FROM SIDE



SECTION A-A



DETAIL A



PROTECTION TO IP 65

Enclosures can be Factory Modified (Milling, Drilling, Printing etc.)
 Contact Factory mjm@hammondmfg.com for quotes
 Solid models of this enclosure available in STEP or IGES.

NOTE

Purchased assembly includes box, end panels, stainless steel #6 Taptight screws, self adhesive rubber feet, gaskets and O-Rings.

Box made from Extruded Aluminum 6063.

End panels made from Type 380 Diecast Aluminum with a black powder paint finish.

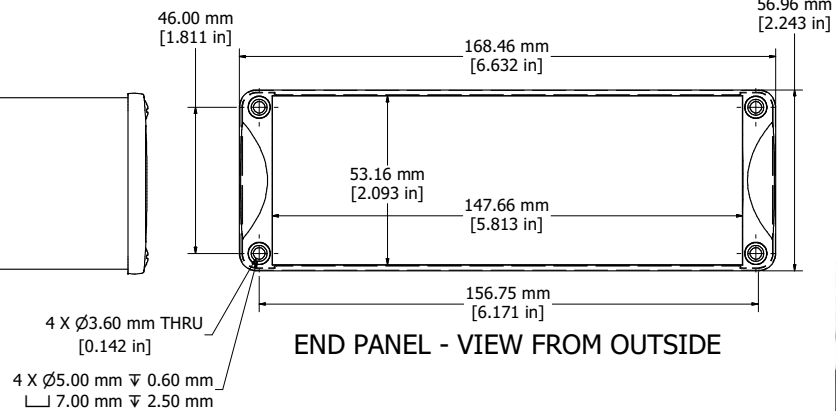
WATERPROOF 1457T2201

PART NUMBERS

Clear anodized box with black powder painted end panels	1457T2201
Black powder painted box and end panels	1457T2201BK
EMI/RFI SHIELDED (IP 54)	
Clear anodized box with black powder painted end panels	1457T2201E
Black powder painted box and end panels	1457T2201EBK

ACCESSORIES

See website for accessories.



END PANEL - VIEW FROM OUTSIDE

Fits 220mm (8.661") X 160mm (6.299") PCB

