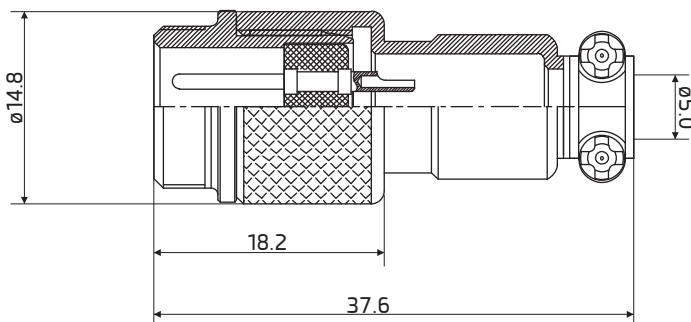
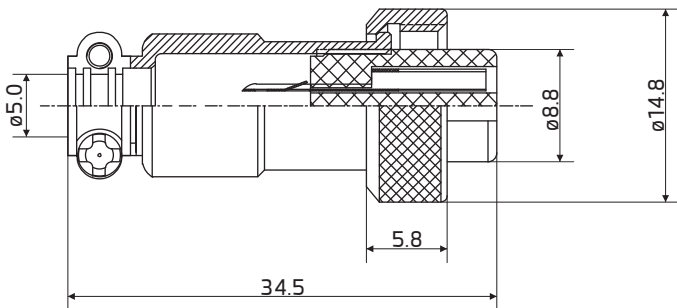
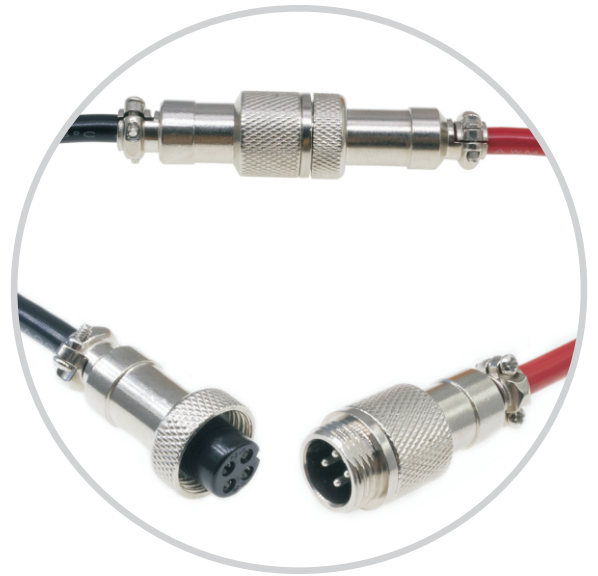


# DATASHEET

## Circular Connector, Wire to Wire, Straight Female Plug and Pin Socket 4 Contacts / M12

Version 10/23

Item no.: 2705566



Dimension: mm±0.2

### **Specification**

Number of Contacts: 4  
Mating thread type: M12

### Material

Shell: Nickel plated Zinc Alloy  
Insulation: Black Bakelite  
Contact: Silver plated Copper

### Electrical

Operating voltage: 60V  
Rated current: 2 A  
Insulation resistance: 100 MΩ min.  
Contact resistance: 10 mΩ max.

### Environment

Operation temperature: -20 to 85°C  
Protect class: IP55  
Termination: Solder  
Suit Cable size: O.D. 5mm max.  
Wire guide: AWG 22 - 20  
Conductor cross-section: 0.34 - 0.5mm<sup>2</sup>