

## OMNIMATE Power - series WGK VWGK 4 SW

**Weidmüller Interface GmbH & Co. KG**  
 Klingenbergstraße 16  
 D-32758 Detmold  
 Germany  
 Fon: +49 5231 14-0  
 Fax: +49 5231 14-292083  
 www.weidmueller.com



The V versions of the WGK feed-through terminals with an insulated housing and clamping yoke connections on the external side, and a solder connection on the internal side for use in encapsulated devices (e.g. EMC filters).

### General ordering data

Type	VWGK 4 SW
Order No.	<a href="#">1250650000</a>
Version	OMNIMATE Power - series WGK, Feedthrough terminal, Rated cross-section: 4 mm <sup>2</sup> , Wemid (PA), Black, Direct mounting, Feed-through (bushing)
GTIN (EAN)	4050118041774
Qty.	50 pc(s).
Product data	IEC: 500 V / 32 A / 0.5 - 6 mm <sup>2</sup> UL: 300 V / 30 A / AWG 30 - AWG 10
Packaging	Box

**OMNIMATE Power - series WGK  
VWGK 4 SW**

**Weidmüller Interface GmbH & Co. KG**  
Klingenbergstraße 16  
D-32758 Detmold  
Germany  
Fon: +49 5231 14-0  
Fax: +49 5231 14-292083  
www.weidmueller.com

**Technische Daten**

**Dimensions and weights**

Length	11.4 mm	Width	10 mm
Height	20.5 mm	Height of lowest version	20.5 mm
Net weight	4.02 g		

**System characteristics**

Product family	OMNIMATE Power - series WGK	Wire connection method	Screw / solder connection
Conductor outlet direction	180°	Fitted by customer	No
Screwdriver blade	0.6 x 3.5	Tightening torque, min.	0.6 Nm
Tightening torque, max.	0.8 Nm	Clamping screw	M 3
Stripping length	8 mm		

**Material data**

Insulating material	Wemid (PA)	Colour	Black
UL 94 flammability rating	V-0	Contact material	E-Cu
Contact surface	tinned		


**Connectable conductors**

Clamping range, rated connection, min.	0.5 mm <sup>2</sup>	Clamping range, rated connection, max.	6 mm <sup>2</sup>
Wire connection cross section AWG, min.	AWG 30	Wire connection cross section AWG, max.	AWG 10
Solid, min. H05(07) V-U	0.5 mm <sup>2</sup>	Solid, max. H05(07) V-U	6 mm <sup>2</sup>
Flexible, min. H05(07) V-K	0.5 mm <sup>2</sup>	Flexible, max. H05(07) V-K	4 mm <sup>2</sup>
w. wire end ferrule, DIN 46228 pt 1, min.	0.5 mm <sup>2</sup>	w. wire end ferrule, DIN 46228 pt 1, max.	4 mm <sup>2</sup>

**DIN IEC rating data**

Rated current, min. no. of poles (TU=20°C)	32 A	Rated current, max. no. of poles (Tu=20°C)	32 A
Rated voltage for surge voltage class pollution degree III/3	500 V	Rated impulse voltage for surge voltage classcontamination degree III/3	6 kV

**CSA rating data**

Institute (CSA)		Rated voltage (Use group B)	300 V
Rated current (use group B)	30 A	Wire cross-section, AWG, min.	AWG 30
Wire cross-section, AWG, max.	AWG 10		

**UL 1059 rating data**

Rated voltage (use group B)	300 V	Rated current (use group B)	30 A
Wire cross-section, AWG, min.	AWG 30	Wire cross-section, AWG, max.	AWG 10

**Classifications**

eClass 6.2	27-14-11-34	eClass 7.1	27-14-11-34
------------	-------------	------------	-------------

**OMNIMATE Power - series WGK  
VWGK 4 SW**

**Weidmüller Interface GmbH & Co. KG**  
Klingenbergstraße 16  
D-32758 Detmold  
Germany  
Fon: +49 5231 14-0  
Fax: +49 5231 14-292083  
www.weidmueller.com

**Technische Daten****Notes**

Notes

- Clearance and creepage distances to other components must be devised in accordance with the relevant application standard. This can be achieved in the device by full encapsulation or by the use of additional spacer plates.
- Rated data refer only to the component itself. Clearance and creepage distances to other components are to be designed in accordance with the relevant application standards.
- Colours: BL = black; GN/YL = green yellow; none = grey
- Additional colours on request
- WGK: Rated voltage plastic walls: 1 - 4 mm = 500 V; metal walls: 1 - 2.5 mm = 400 V; metal walls: 2.5 - 4 mm = 250 V
- WGKV: Rated voltage plastic walls: 1 - 4 mm = 400 V; metal walls: 1 - 2.5 mm = 400 V; metal walls: 2.5 - 4 mm = 250 V
- VWGK: Rated voltage plastic walls: 1 - 4 mm = 500 V; metal walls: 1 - 4 mm = 500 V

**Approvals**

Approvals



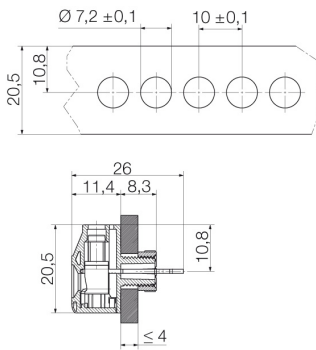
ROHS

Conform

**OMNIMATE Power - series WGK  
VWGK 4 SW**

**Weidmüller Interface GmbH & Co. KG**  
 Klingenbergstraße 16  
 D-32758 Detmold  
 Germany  
 Fon: +49 5231 14-0  
 Fax: +49 5231 14-292083  
 www.weidmueller.com

**Zeichnungen**



**WGK 4 VP**

