

MATERIAL:
 HOUSING MATERIAL: LCP
 COLOR: IVORY
 ACTUATOR MATERIAL: LCP
 COLOR: BLACK
 CONTACT MATERIAL: PHOSPOR BRONZE
 CONTACT PLATING: 100µ TIN OVER 50µ NI
 QUALITY CLASS: 25 MATING CYCLES

ENVIRONMENTAL:
 OPERATING TEMPERATURE: -25°C UP TO 85°C
 FLAMABILITY RATING: UL94-V0
 COMPLIANCE: LEAD FREE AND ROHS

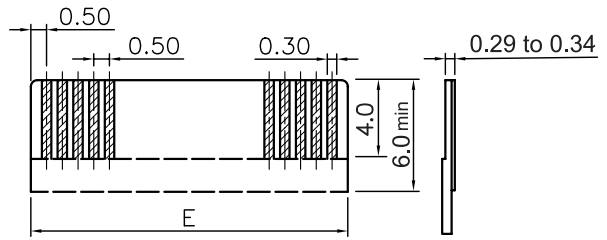
ELECTRICAL:
 CURRENT RATING: 0.5A
 WORKING VOLTAGE: 50V
 INSULATION RESISTANCE: >100MOHM
 DIELECTRIC WITHSTANDING VOLT.: 250VAC/MN
 CONTACT RESISTANCE: 20mOHM MAX

STANDARD
 CERTIFIED: E323964 / MODEL NUMBER 687
 FOLLOWED BY 1, FOLLOWED BY 04 THRU 50, FOLLOWED
 BY 140 OR 145, FOLLOWED BY NUMERIC DIGITS

SOLDERING:
 REFLOW PROCESS ONLY

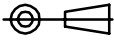
DIMENSION:
 B = 0.50 x NB PINS + 6.50
 C = 0.50 x (NB PINS - 1)
 D = 0.50 x (NB PINS + 1) + 0.10
 E = 0.50 x (NB PINS + 1)

RECOMMENDED PCB LAYOUT - COMPONENT VIEW



APPLICABLE FFC LAYOUT

RoHS Compliant			
G			
F			
E			
D			
C			
B	21-APR-10	PACKAGING	JP
A	26-OCT-09	STANDARD	JP
REV	DATE	FILE	BY

PROJECTION:

 APPROVAL: RJ

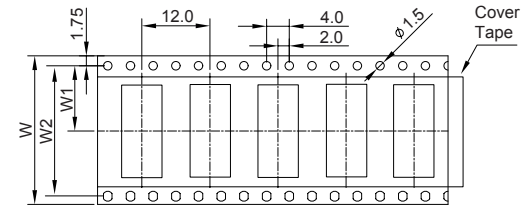
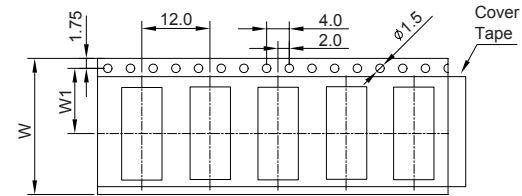
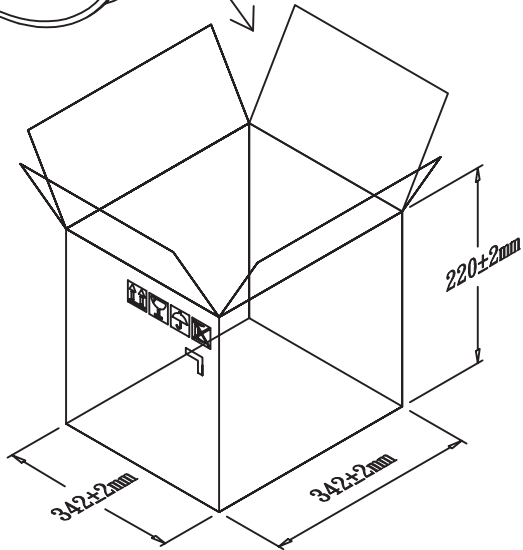
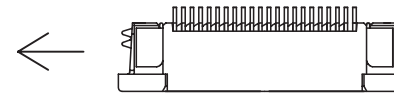
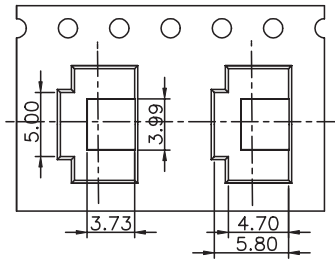
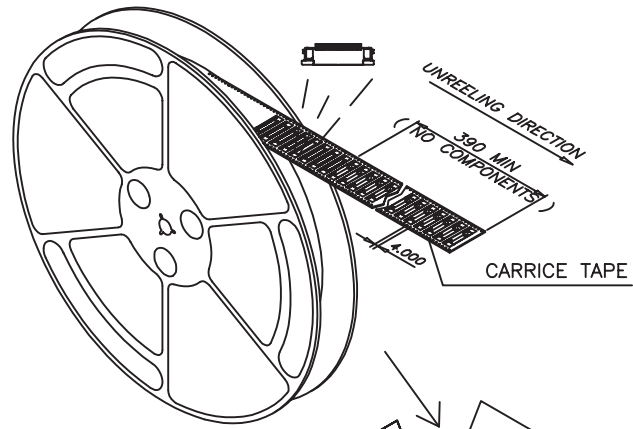
GENERAL TOLERANCE
 .X = +/- 0.2
 .XX = +/- 0.15
 UNIT: MM
 SCALE:
 SHEET: 1/3
 DRAW: PEARL



DESCRIPTION: 0.5MM ZIF FPC HORIZONTAL TOP CONTACT TYPE - TAPE & REEL PACKAGING
 WERI PART NO: 6871 xx 14022

SIZE
A4

A
 B
 C
 D

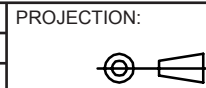


According to EIA Standard

Nb PIN	W	W1	W2
-	56.0	26.2	52.4
50 to 32	44.0	20.2	41.4
30 to 22	32.0	14.2	28.4
20 to 08	24.0	11.5	22.25
06	16.0	7.5	14.25
-	12.0	5.5	10.25

NOTE:
 1.10 sprocket hole pitch cumulative tolerance±0.20
 2.Carrier camber is within 1 mm in 100mm
 3.CARTON SIZE : 342*342*220MM

RoHS Compliant	
G	
F	
E	
D	
C	
B	
A	
REV	DATE
	FILE
	BY



GENERAL TOLERANCE
 .X = +/- 0.2
 .XX = +/- 0.15

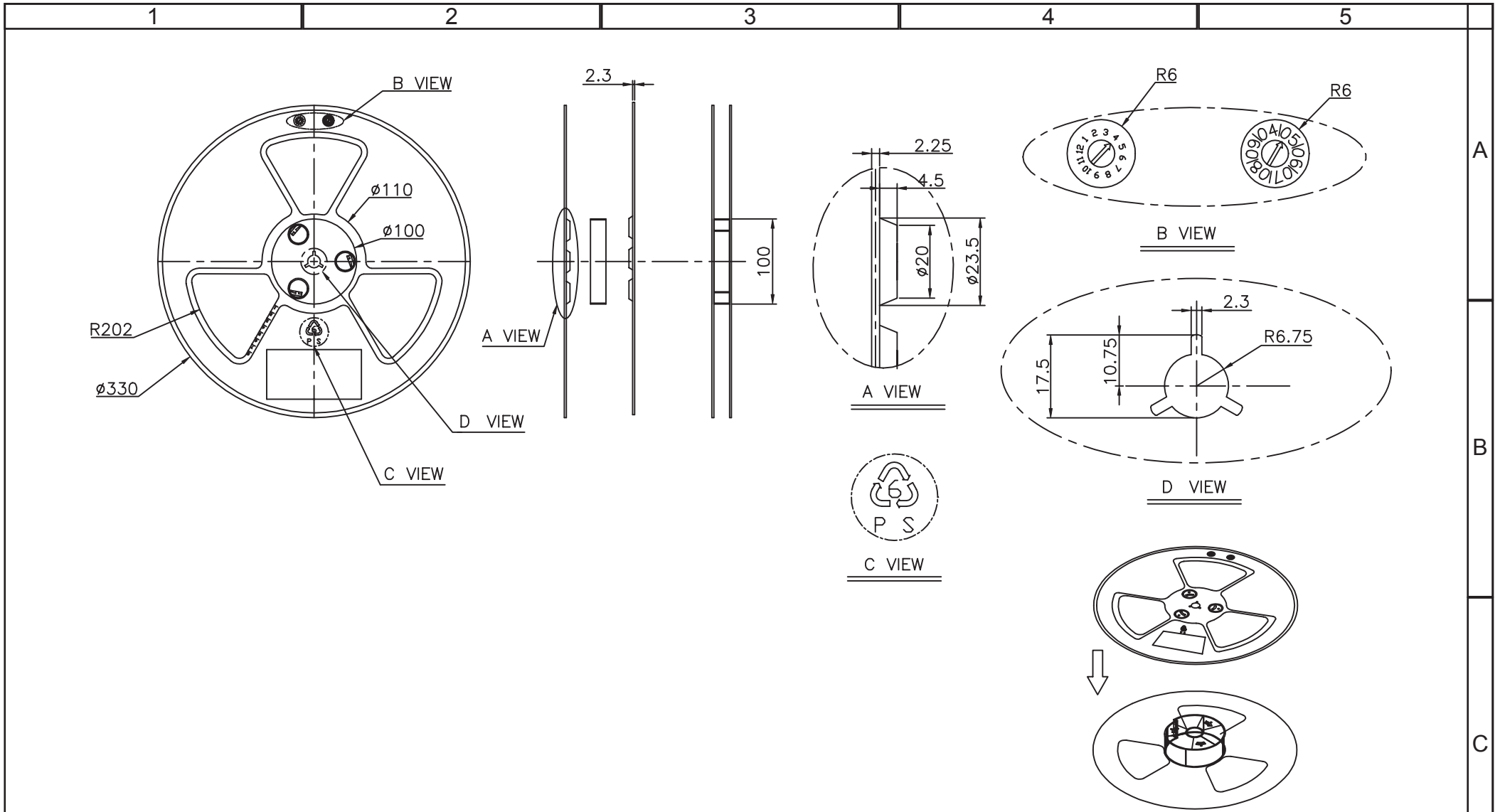


APPROVAL: RJ

UNIT: MM
 SCALE:
 SHEET: 2/3
 DRAW: PEARL

DESCRIPTION: 0.5MM ZIF FPC HORIZONTAL TOP CONTACT TYPE - TAPE & REEL PACKAGING
 WERI PART NO: 6871 xx 14022

SIZE
A4



RoHS Compliant			
G			
F			
E			
D	□		
C			
B			
A			
REV	DATE	FILE	BY



GENERAL TOLERANCE
.X = +/- 0.2
.XX = +/- 0.15



APPROVAL: RJ

UNIT: MM
SCALE:
SHEET: 3/3
DRAW: PEARL

DESCRIPTION: 0.5MM ZIF FPC HORIZONTAL TOP CONTACT TYPE - TAPE & REEL PACKAGING
WERI PART NO: 6871 xx 14022

SIZE
A4