

- 1
- 2
- 3
- 4
- 5
- 6
- 7
- 8
- 9
- 10
- 11
- 12
- 13
- 14
- 15
- 16
- 17
- 18

**MATERIAL**

Glass-fibre reinforced polyamide based (PA) technopolymer, grey-black colour, matte finish.

**HUB CAP**

- ECM.K: glass-fibre reinforced polyamide based (PA) technopolymer, in Elecolors colours, matte finish, press-fit assembly. Supplied. Available also as accessory sold separately (see table).

**STANDARD EXECUTION**

Black-oxide steel hub, H7 reamed hole. Revolving handle l.621+x (see page 406) in technopolymer.

**FEATURES AND APPLICATIONS**

The reticular structure of the crank arm and the technopolymer used make this handle very strong and therefore suitable for transmitting high torque values.

**ACCESSORIES ON REQUEST**

- GN 184: axial retaining washer in black-oxide steel (see page 897).  
 - ECM.K: glass-fibre reinforced polyamide based (PA) technopolymer hub cap, in Elecolors colours, matte finish, press-fit assembly (see table).



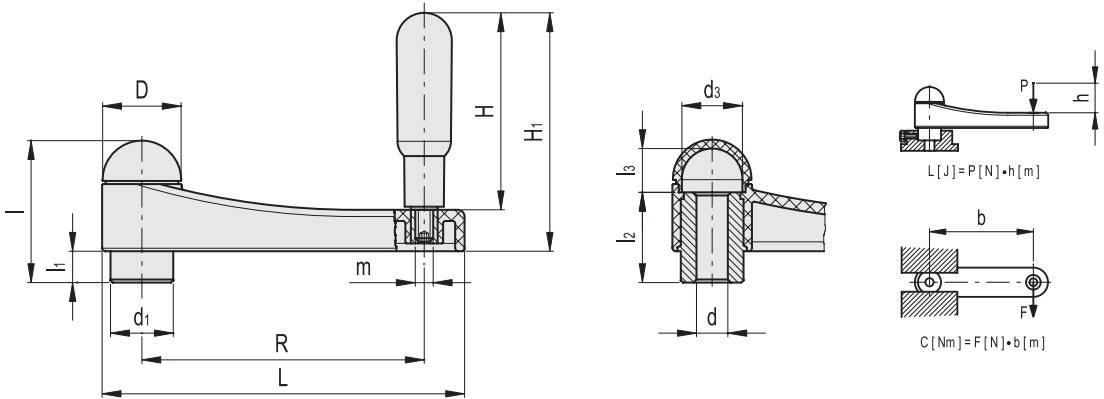
ERGOSTYLE® ELESA Original design

- C1 RAL7021
- C2 RAL2004
- C3 RAL7035
- C4 RAL1021
- C5 RAL5024
- C6 RAL3000

**ECM.K**

Code	Description	Hub cap for
29633-*	ECM.K3-*	EKH.100
29634-*	ECM.K4-*	EKH.125

\* Complete with colour index (C1, ..., C6).



\* Complete with colour index, example: 210241-C2 EKH.100 A-12-C2

- C1 RAL7021
- C2 RAL2004
- C3 RAL7035
- C4 RAL1021
- C5 RAL5024
- C6 RAL3000

Code	Description	R	dH7	L	D	d1	d3	l	l1	l2	l3	H	H1	m	C# [Nm]	L# [J]	⚖
210241-*	EKH.100 A-12-*	101	12	131.5	30.5	24	23.5	52.5	10	33	17	65	81	M8	200	27	231
210251-*	EKH.125 A-14-*	126	14	161.5	35	28	26.5	62	14	40	18	80	98.5	M8	350	45	316

Handwheels and crank handles