

MATERIAL

Aluminium, fine turned.

RING

FKM type VITON®*.

STANDARD EXECUTIONS

- **GN 742-OS**: natural aluminium, neutral with no symbols.
- **GN 742-OSS**: black anodised aluminium, neutral with no symbols.

MAXIMUM CONTINUOUS WORKING TEMPERATURE

180°C.

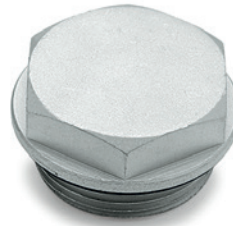
FEATURES

GN 742 plugs are provided with a threaded blind hole for assembling a dipstick.

SPECIAL EXECUTIONS ON REQUEST

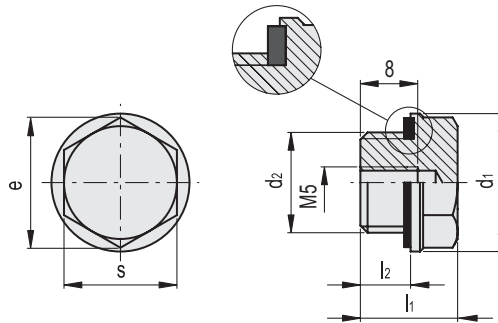
- GN 742-ES: natural aluminium with laser engraved graphic symbol "fill", according to DIN regulations.
- GN 742-ESS: anodised aluminium black colour with laser engraved graphic symbol "fill", according to DIN regulations.
- GN 742-AS: natural aluminium with laser engraved graphic symbol "drain", according to DIN regulations.
- GN 742-ASS: anodised aluminium black colour with laser engraved graphic symbol "drain", according to DIN regulations.
- Plugs with \varnothing 2 mm side breather hole.

* Registered trademark by DuPont Dow Elastomers.



GN 742-ES
GN 742-ESS

GN 742-AS
GN 742-ASS



GN 742-OS

GN 742-OSS

Code	Description	Code	Description	d1	d2	l1	l2	s	e	⚖️
GN.37870	GN 742-19-M14x1.5-OS-1	GN.72002	GN 742-19-M14X1,5-OSS-1	19	M14x1.5	15.5	8	15	17.3	7
GN.37871	GN 742-22-M16x1.5-OS-1	GN.72007	GN 742-22-M16X1,5-OSS-1	22	M16x1.5	15.5	8	18	20.8	10
GN.37873	GN 742-26-M20x1.5-OS-1	GN.72012	GN 742-26-M20X1,5-OSS-1	26	M20x1.5	16	8.5	21	24.3	15
GN.37876	GN 742-32-M26x1.5-OS-1	GN.72017	GN 742-32-M26X1,5-OSS-1	32	M26x1.5	17	9	27	31.2	26
GN.37877	GN 742-40-M33x1.5-OS-1	GN.72022	GN 742-40-M33X1,5-OSS-1	40	M33x1.5	19.5	11	32	37	40
GN.37878	GN 742-50-M42X2-OS-1	GN.72027	GN 742-50-M42X2-OSS-1	50	M42X2	21	12	41	47.3	55
GN.37880	GN 742-19-G1/4-OS-1	GN.72001	GN 742-19-G1/4-OSS-1	19	G 1/4	15.5	8	15	17.3	7
GN.37881	GN 742-22-G3/8-OS-1	GN.72006	GN 742-22-G3/8-OSS-1	22	G 3/8	15.5	8	18	20.8	10
GN.37882	GN 742-26-G1/2-OS-1	GN.72011	GN 742-26-G1/2-OSS-1	26	G 1/2	16	8.5	21	24.3	15
GN.37883	GN 742-32-G3/4-OS-1	GN.72016	GN 742-32-G3/4-OSS-1	32	G 3/4	17	9	27	31.2	26
GN.37884	GN 742-40-G1-OS-1	GN.72021	GN 742-40-G1-OSS-1	40	G 1	19.5	11	32	37	47
GN.37885	GN 742-50-G1 1/4-OS-1	GN.72026	GN 742-50-G11/4-OSS-1	50	G 1 1/4	21	12	41	47.3	60
GN.37886	GN 742-60-G1 1/2-OS-1	GN.72031	GN 742-60-G11/2-OSS-1	60	G 1 1/2	22	13	50	57.7	120

