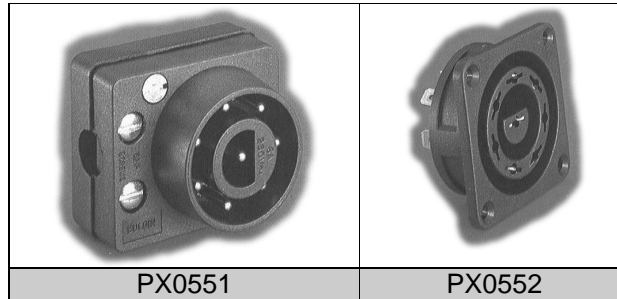


DC Power Connectors

Order code	Manufacturer code	Description
20-0760	PX0551	8 POLE FREE PLUG - MAINS
20-0762	PX0552	8 POLE CHASSIS SOCKET MAINS

DC Power Connectors	Page 1 of 2
The enclosed information is believed to be correct, Information may change 'without notice' due to product improvement. Users should ensure that the product is suitable for their use. E. & O. E.	Revision A 04/07/2003

8-Pole Mains Connectors

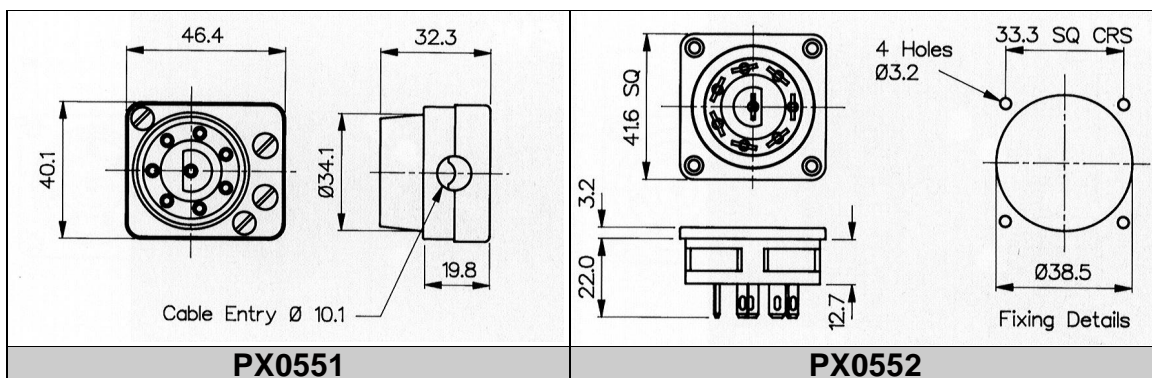


8-pole free plug and chassis socket. suitable for mains applications which require multipole interconnections, at mains voltage.
 Typical applications: heating, ventilation, air conditioning, etc.

Specifications

Part Number	PX0551	PX0552
Terminations:	Screw terminals.	4.8 Series Tab.
Max. Rating:	6A. 250V a.c. (per pin)	6A. 250V a.c. (per pin)
Contact Resistance:	<20mΩ	<20mΩ
Insulation Resistance:	>10 ³ MΩ	>10 ³ MΩ
A.C. Breakdown:	Pole-Pole 5.2kV Poles-Accessible parts 6kV	Pole-Pole 5.2kV Poles-Accessible parts 2kV
Operating Temp. Range:	-20°C to +70°C	-20°C to +70°C
Mouldings:	Glass Filled Nylon	Glass Filled Nylon
Contacts:	Brass, Nickel Plated	Brass, Tin Plated
Mates With:	PX0552, PX0552/PC	PX0551

Technical Drawings



Other Information

Bulgin Type	Description
PX0551	8-Pole Free Plug
PX0552	8-Pole Chassis Socket