

## Key Features

- Adhesive or magnetic mountable
- 26db LNA gain
- IP67 rated
- Compact size 37 x 33 x 13mm



## General Description

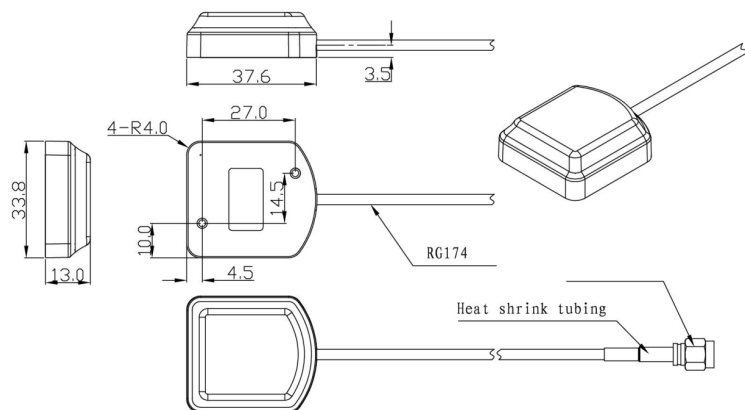
The Alpha 4A is Siretta's new GPS antenna. It is IP67 rated which means it is dust tight and waterproof. The Alpha 4A comes with an adhesive base which allows quick and simple implementation. The Alpha 4A can also come with a magnetic base if required.

Measuring at 37.6 x 33.8 x 13mm (LxWxH), the Alpha 4A packs in a high spec for such a small and compact antenna. It can be mounted covertly due to its discrete size and shape. This means the Alpha 4A fulfils a user's requirements if they need a solution that achieves great performance without being too obvious to an unwanted observer.

The Alpha 4A is supplied with a self-adhesive base and an RG174 cable

## Additional Considerations

- Waterproof design which makes it ideal for mounting outdoors
- Operates with GPS receivers with built in LNA circuit on board
- RoHS compliant



Unit: mm

## Key Specifications - Electrical

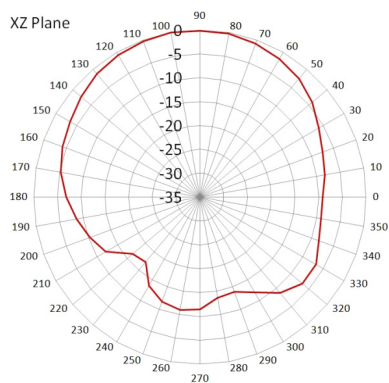
Operating temperature:	-40 to +85°C
Relative humidity:	Up to 95%
Impedance:	50 ohm
Gain:	26 ± 2dB
V.S.W.R:	<2.0
Supply voltage:	2.2 to 5V DC
Current consumption:	10 to 26mA
Polarization:	RHCP
Noise figure:	<1.3
Filter insertion loss:	<3dB
Ex-band attenuation:	12dB@CF+50MHz/ 12dB@CF-50MHz

## Key Specifications - Mechanical

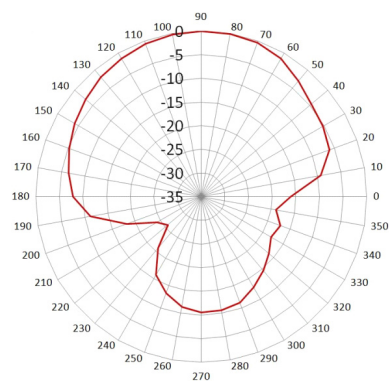
Dimensions:	20 x 20 x 4mm
Cable:	RG174
Material:	ABS
Ingress protection:	IP67 rated
Mounting method:	Magnetic/adhesive

## Radiation Pattern

XZ Plane



YZ Plane



XY Plane

