

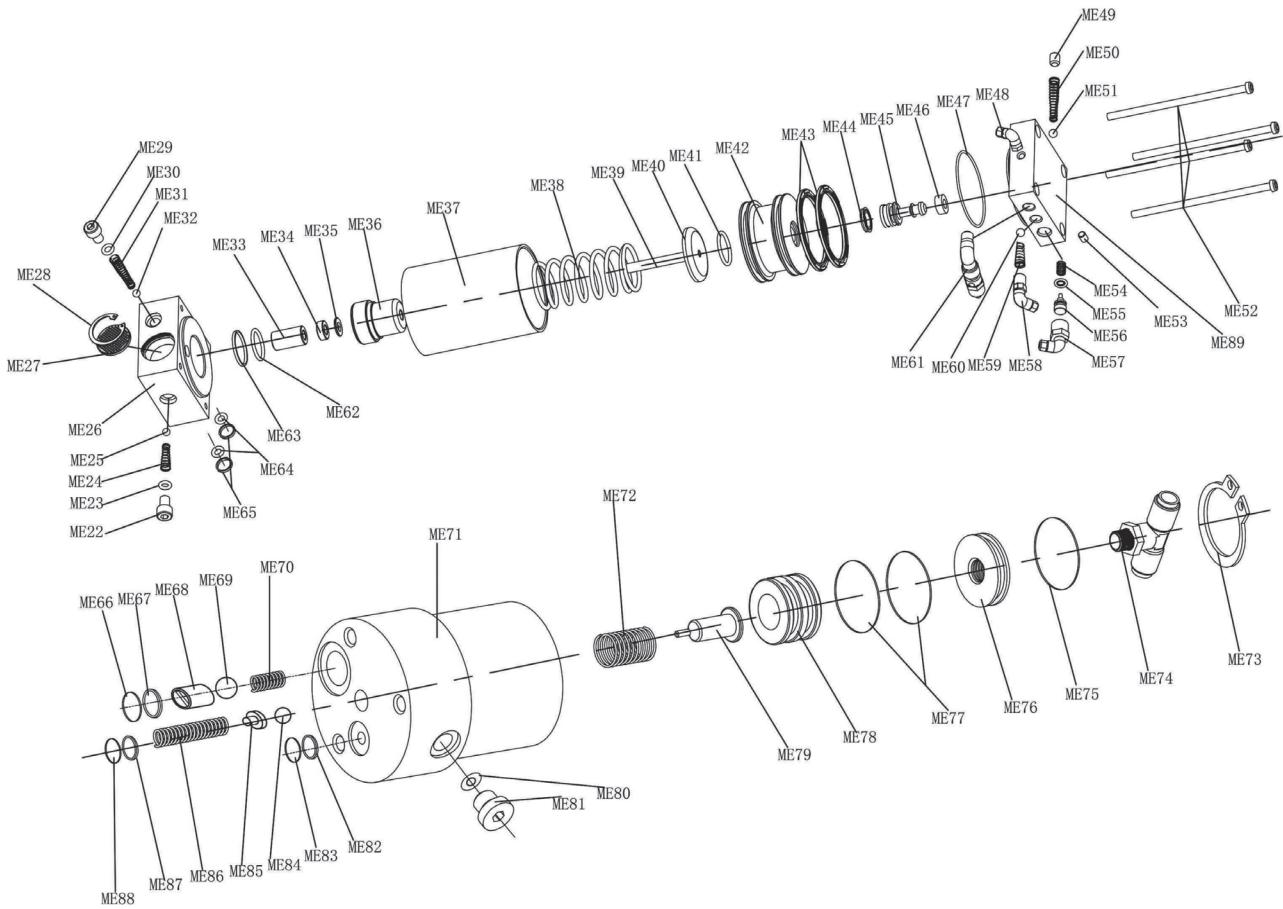
| Item | Part No.     | Description    |
|------|--------------|----------------|
| ME01 | YAJ1530V2.01 | Cover          |
| ME02 | YAJ1530V2.02 | O-ring         |
| ME03 | YAJ1530V2.03 | Oil tank       |
| ME05 | YAJ1530V2.04 | Dustproof ring |
| ME06 | YAJ1530V2.05 | Guide ring     |
| ME07 | YAJ1530V2.06 | O-ring         |
| ME08 | YAJ1530V2.07 | Outer sleeve   |
| ME09 | YAJ1530V2.08 | O-ring         |
| ME10 | YAJ1530V2.09 | Locking ring   |
| ME11 | YAJ1530V2.10 | Dustproof ring |
| ME12 | YAJ1530V2.11 | Guide ring     |
| ME13 | YAJ1530V2.12 | Inner sleeve   |
| ME14 | YAJ1530V2.13 | Seal ring      |
| ME15 | YAJ1530V2.14 | Guide ring     |
| ME16 | YAJ1530V2.15 | Top cover      |
| ME17 | YAJ1530V2.16 | Piston         |

| Item | Part No.     | Description                 |
|------|--------------|-----------------------------|
| ME18 | YAJ1530V2.17 | Seal ring                   |
| ME19 | YAJ1530V2.18 | Guide ring                  |
| ME20 | YAJ2040DC219 | O-ring                      |
| ME21 | YAJ1530V2.20 | Base                        |
| A01  | YAJ2040DC221 | Air hose 4mm x 6mm x 1060mm |
| A02  | YAJ2040DC222 | Air hose                    |
| A03  | YAJ1530DC223 | Elbow                       |
| A04  | YAJ1530V2.24 | Filter net                  |
| A05  | YAJ2040DC225 | O-ring                      |
| A06  | YAJ2040DC291 | Screw nut                   |
| A07  | YAJ1530V2.27 | Screw                       |
| A08  | YAJ2040DC228 | O-ring                      |
| A09  | YAJ2040DC229 | Screw nut                   |
| A10  | YAJ1530V2.30 | Spacer                      |
| A11  | YAJ1530V2.31 | Screw                       |

**NOTE:** It is our policy to continually improve products and as such we reserve the right to alter data, specifications and component parts without prior notice.

**IMPORTANT:** No liability is accepted for incorrect use of product.

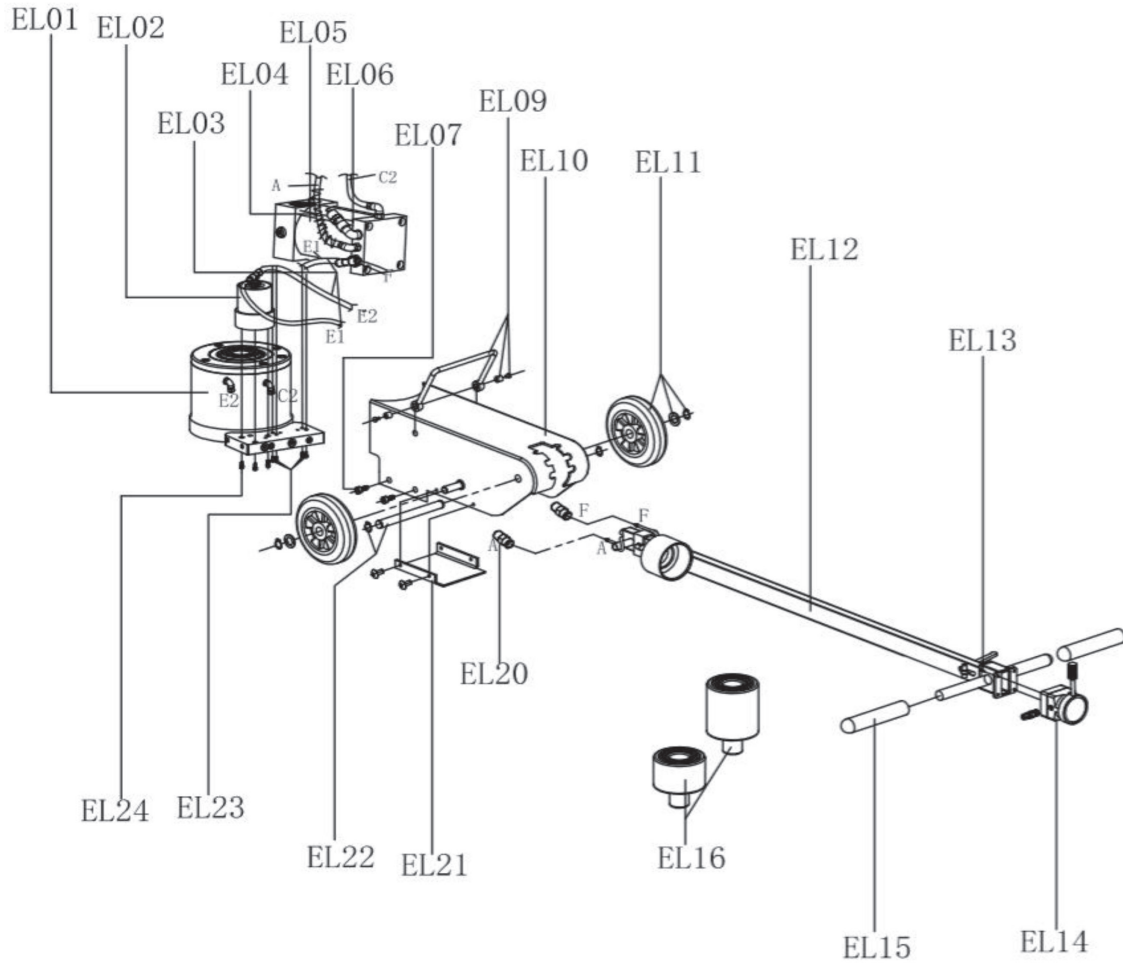
**WARRANTY:** Guarantee is 12 months from purchase date, proof of which will be required for any claim.



| Item | Part No.      | Description                                |
|------|---------------|--|
| ME22 | YAJ1530F.ME22 | Csk Socket Machine Screw                   |
| ME23 | YAJ1530F.ME23 | O-Ring                                     |
| ME24 | YAJ1530F.ME24 | Spring                                     |
| ME25 | YAJ1530F.ME25 | Steel Ball                                 |
| ME26 | YAJ1530F.ME26 | Check Valve                                |
| ME27 | YAJ1530F.ME27 | Silencer                                   |
| ME28 | YAJ1530F.ME28 | Retaining Ring                             |
| ME29 | YAJ1530F.ME22 | Csk Socket Machine Screw                   |
| ME30 | YAJ1530F.ME30 | O-Ring                                     |
| ME31 | YAJ1530F.ME31 | Spring                                     |
| ME32 | YAJ1530F.ME32 | Steel Ball                                 |
| ME33 | YAJ1530F.ME33 | Guide Bushing                              |
| ME34 | YAJ1530F.ME34 | Spacer                                     |
| ME35 | YAJ1530F.ME35 | Seal                                       |
| ME36 | YAJ1530F.ME36 | Plunger Bushing                            |
| ME37 | YAJ1530F.ME37 | Air Cylinder                               |
| ME38 | YAJ1530F.ME38 | Spring                                     |
| ME39 | YAJ1530F.ME39 | Plunger Rod Ass'Y (c/w Plunger Cover ME40) |
| ME40 | YAJ1530F.ME40 | Plunger Cover                              |
| ME41 | YAJ1530F.ME41 | O-Ring                                     |

| Item | Part No.      | Description  |
|------|---------------|--------------|
| ME42 | YAJ1530F.ME42 | Piston       |
| ME43 | YAJ1530F.ME43 | Sealing (PK) |
| ME44 | YAJ1530F.ME44 | Sealing (OE) |
| ME45 | YAJ1530F.ME45 | Piston       |
| ME46 | YAJ1530F.ME46 | Rubber Cap   |
| ME47 | YAJ1530F.ME47 | O-Ring       |
| ME48 | YAJ1530F.ME48 | Elbow        |
| ME49 | YAJ1530F.ME49 | Grub Screw   |
| ME50 | YAJ1530F.ME50 | Spring       |
| ME51 | YAJ1530F.ME51 | Rubber Ball  |
| ME52 | YAJ1530F.ME52 | Screw        |
| ME53 | YAJ1530F.ME53 | Grub Screw   |
| ME54 | YAJ1530F.ME54 | Spring       |
| ME55 | YAJ1530F.ME55 | O-Ring       |
| ME56 | YAJ1530F.ME56 | Piston       |
| ME57 | YAJ1530F.ME57 | T-Piece      |
| ME58 | YAJ1530F.ME58 | Elbow        |
| ME59 | YAJ1530F.ME59 | Spring       |
| ME60 | YAJ1530F.ME60 | Rubber Ball  |
| ME61 | YAJ1530F.ME61 | Elbow        |
| ME62 | YAJ1530F.ME62 | O-Ring       |
| ME63 | YAJ1530F.ME63 | Locking Ring |
| ME64 | YAJ1530F.ME64 | O-Ring       |
| ME65 | YAJ1530F.ME65 | Locking Ring |

| Item | Part No.      | Description       |
|------|---------------|-------------------|
| ME66 | YAJ1530F.ME66 | Locking Ring      |
| ME67 | YAJ1530F.ME67 | Locking Ring      |
| ME68 | YAJ1530F.ME68 | Steel Ball Seat   |
| ME69 | YAJ1530F.ME69 | Steel Ball        |
| ME70 | YAJ1530F.ME70 | Spring            |
| ME71 | YAJ1530F.ME71 | Oil Drain Valve   |
| ME72 | YAJ1530F.ME72 | Spring            |
| ME73 | YAJ1530F.ME73 | Retaining Ring    |
| ME74 | YAJ1530F.ME74 | T-Piece Connector |
| ME75 | YAJ1530F.ME75 | O-Ring            |
| ME76 | YAJ1530F.ME76 | End Cover         |
| ME77 | YAJ1530F.ME77 | O-Ring            |
| ME78 | YAJ1530F.ME78 | Oil Drain Piston  |
| ME79 | YAJ1530F.ME79 | Oil Drain Bolt    |
| ME80 | YAJ1530F.ME80 | O-Ring            |
| ME81 | YAJ1530F.ME22 | Screw Nut         |
| ME82 | YAJ1530F.ME82 | Locking Ring      |
| ME83 | YAJ1530F.ME83 | O-Ring            |
| ME84 | YAJ1530F.ME84 | Steel Ball        |
| ME85 | YAJ1530F.ME85 | Spring Base       |
| ME86 | YAJ1530F.ME86 | Spring            |
| ME87 | YAJ1530F.ME87 | Locking Ring      |
| ME88 | YAJ1530F.ME88 | O-Ring            |
| ME89 | YAJ1530F.ME89 | Air Inlet Base    |



| Item | Part No.      | Description                    |
|------|---------------|--------------------------------|
| EL01 | YAJ1530V2.100 | Oil cylinder assembly          |
| EL02 | YAJ1530V2.101 | Oil drain valve assembly       |
| EL03 | YAJ2040V2102  | Hose                           |
| EL04 | YAJ2040DC2121 | Spring                         |
| EL05 | YAJ1530V2.104 | Pump assembly                  |
| EL06 | YAJ2040DC2106 | Connector                      |
| EL07 | YAJ1530V2.106 | Screw                          |
| EL08 | YAJ2040DC2122 | Connector (y-shape)            |
| EL09 | YAJ1530V2.108 | Handle set                     |
| EL10 | YAJ1530V2.109 | Tank                           |
| EL11 | YAJ2040DC2102 | Wheel, fixed (D:160 W:45 B:20) |
| EL12 | YAJ1530V2.111 | Handle                         |
| EL13 | YAJ1530V2.112 | Screw                          |

| Item | Part No.      | Description                                     |
|------|---------------|---|
| EL14 | YAJ1530V2.113 | Switch  |
| EL15 | YAJ1530V2.114 | Handle grip                                     |
| EL16 | YAJ20-40DC.99 | Adaptors (45mm & 75mm)                          |
| EL17 | YAJ1530V2.116 | Adaptor tray                                    |
| EL18 | BHSS512.SB    | Button Head Socket Screw M5x12 Black            |
| EL19 | YAJ1530V2.118 | Gas circuit block                               |
| EL20 | YAJ2040V2119  | Connector                                       |
| EL21 | YAJ1530V2.120 | Metal plate                                     |
| EL22 | YAJ1530V2.121 | Wheel axle: Solid, c/w circlips (L:60mm D:20mm) |
| EL23 | YAJ1530V2.122 | Screws  |
| EL24 | YAJ1530V2.123 | Screws  |

**NOTE:** It is our policy to continually improve products and as such we reserve the right to alter data, specifications and component parts without prior notice.

**IMPORTANT:** No liability is accepted for incorrect use of product.

**WARRANTY:** Guarantee is 12 months from purchase date, proof of which will be required for any claim.