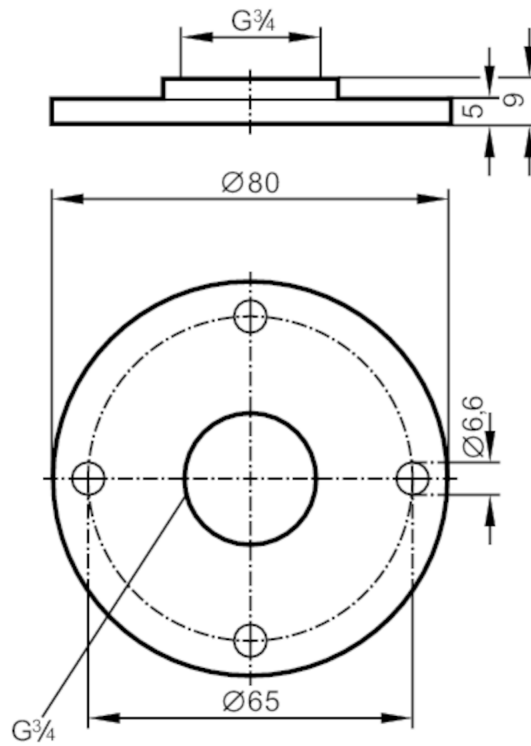


E43202



Flange plate for level sensors

FLANGE PLATE 65-80/G3/4



Application

Design	for level sensors LR
Tank pressure [bar]	-1...16; (depending on the used seal)

Mechanical data

Weight [g]	196.4
Materials	flange: stainless steel (1.4305 / 303)
Tightening torque [Nm]	6...9
Process connection	G 3/4

Remarks

Pack quantity	1 pcs.
---------------	--------