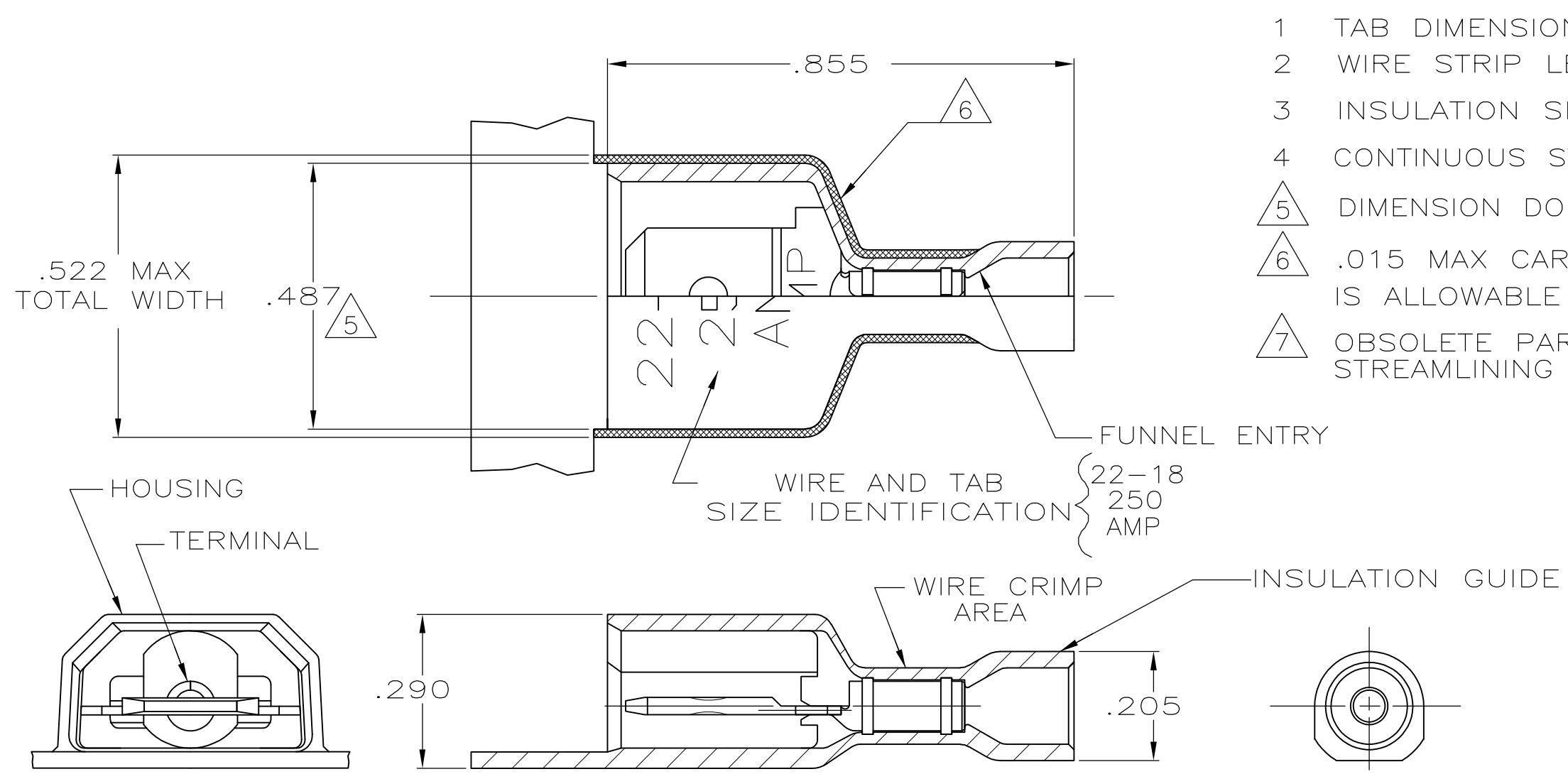


THIS DRAWING IS UNPUBLISHED. RELEASED FOR PUBLICATION
 © COPYRIGHT BY TYCO ELECTRONICS CORPORATION. ALL RIGHTS RESERVED.

LOC	DIST	REVISIONS					
		P	LTR	DESCRIPTION	DATE	DWN	APVD
AF	50		N	REVISED PER ECR-06-009299	29AUG06	HMR	RL
			N1	REVISED PER ECO-09-021826	12JAN10	KK	AEG



- 1 TAB DIMENSIONS $.032^{+.001}_{-.002} \times .250$
- 2 WIRE STRIP LENGTH .281
- 3 INSULATION SIZE .135 MAX DIA
- 4 CONTINUOUS STRIP ON REELS
- 5 DIMENSION DOES NOT INCLUDE TRIM BURR
- 6 .015 MAX CARRIER TRIM BURR PER SIDE IS ALLOWABLE IN THE SHADED AREA
- 7 OBSOLETE PARTS: OBSOLETE CIS STREAMLINING PER D.RENAUD/D.SINISI

7	OBSOLETE	BULK	HOUSING:NYLON,COLOR-RED TRANSLUCENT TAB:#3 HARD BRASS,TIN .000080 MIN	5-520102-2
		STANDARD	HOUSING:NYLON,COLOR-RED TRANSLUCENT TAB:#3 HARD BRASS,TIN .000080 MIN	2-520102-2
		STANDARD	HOUSING:NYLON,COLOR-RED TRANSLUCENT TAB:#3 HARD BRASS,UNPLATED	2-520102-1
		PACKAGING	MATERIAL & FINISH	PART NO

THIS DRAWING IS A CONTROLLED DOCUMENT.		DWN P FORTNEY 11/16/88	Tyco Electronics Corporation Harrisburg, PA 17105-3608	
DIMENSIONS: INCHES		CHK MS FEHER 11/30/88		
TOLERANCES UNLESS OTHERWISE SPECIFIED:		APVD K RANDOLPH 11/14/88	NAME TAB ASSEMBLY, ULTRA-FAST, .250 SERIES, 22-18 AWG	
0 PLC ± - 1 PLC ± - 2 PLC ± - 3 PLC ± .015 4 PLC ± - ANGLES ± -		PRODUCT SPEC 108-2017	RESTRICTED TO	
MATERIAL SEE TABLE		FINISH SEE TABLE	APPLICATION SPEC 114-2123	SIZE A3
		WEIGHT -	CAGE CODE 00779	DRAWING NO C-520102
CUSTOMER DRAWING			SCALE 4:1	SHEET 1 OF 1
			REV N1	