



# DATA SHEET

10423204

EPIC® ULTRA H-A 3 MTGVB

valid from:  
04.11.2016

## Description

- EMC protection
- Corrosion-resistant
- Protection rating UL50E tested
- All-purpose due to high corrosion resistance and high environmental protection



## General characteristics

Series	ULTRA H-A 3
Version	Cable coupler hood M20
Locking mechanism	single lever
Cable entry	straight
Thread	M20x1,5
Protection rating, IEC	IP 65 (locked)
Protection rating, NEMA 250, UL50E	12, 4, 4X (locked)
Temperature range	-40°C to +100°C, short-term up to +125°C
Holding screws for inserts included	yes

## Materials and surfaces

Housing, base material	zinc die-casting
Housing, surface	nickel-plated
Lever	stainless steel
Holding screws for inserts	stainless steel

## Approvals

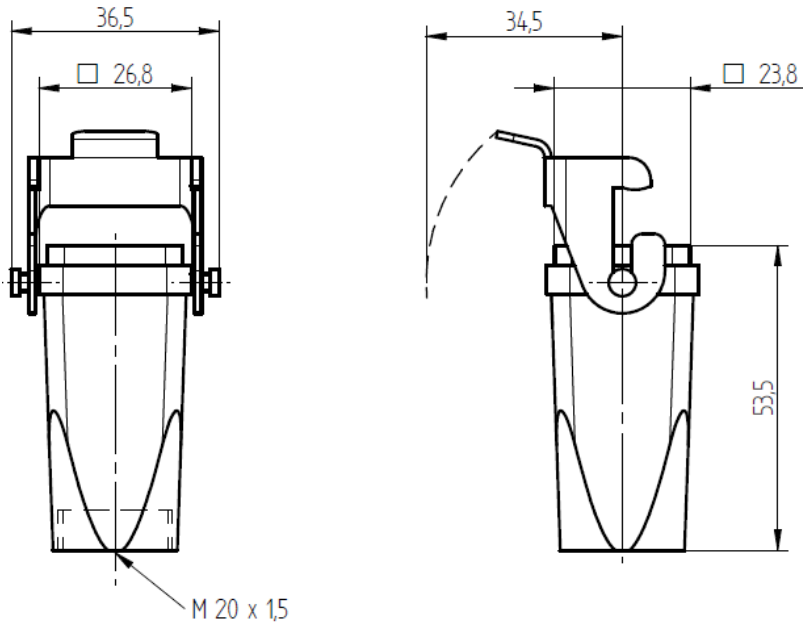
VDE-Approval, VDE-REG.-Nr.	B437
----------------------------	------

## Standards

Product Standard	IEC 61984
------------------	-----------

<b>DATA SHEET</b>	10423204
<b>EPIC® ULTRA H-A 3 MTGVB</b>	valid from: 04.11.2016

### Drawings



### Remark

Photographs are not to scale and do not represent detailed images of the respective products.

Creator: MANA2/PDP Released: IVSE1/PDP	Document: DB10423204EN Version: 00	Page 2 of 2
---	---------------------------------------	-------------