



## Product Data Sheet

# EPBCP84

Enclosed Power Distribution Block

## 760 Amps 600 Volts AC/DC

### Wire Range

- Line: (2) 500 kcmil - #4 AWG (240 mm<sup>2</sup> - 25 mm<sup>2</sup> Class 2)
- Load: (8) 2/0 - #14 AWG (50 mm<sup>2</sup> - 2.5 mm<sup>2</sup> Class 2)

### Electrical Ratings

- 760 Amps
- 600V per UL 1953 & CSA 22.2 No.158, class B & C requirements
- 1000 V AC/DC per IEC 60947-7-1 (CE)
- Short circuit current ratings (SCCR): See SCCR section below for specifications.
- CU9 - 90°C connector terminal rating with copper wire only
- Touch protection: IP-20 (IEC 60529)
- Factory & Field Wiring

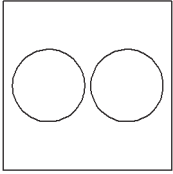
### Agency Compliance

- UL - UL Listed Terminal Block, Evaluated to UL 1953, File No.QPQS.E309401
- CSA - certified to C22.2 No. 158, File No. LR19766 (wire classes B & C only)
- CE compliant to IEC 60947-7-1

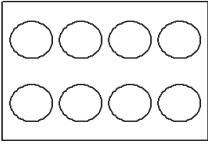
### Material Information

- Insulator base:
  - Thermoplastic
  - Flammability rating of insulator base UL94V0
  - Insulator base temperature rating: -40°C to 125°C (UL RTI)
- Connector: copper, tin plated
- Terminal set screws: line side: aluminum, tin plated, load side: steel, nickel plated
- Connector mounting screw: steel, zinc plated
- RoHS compliant

## Termination Specifications

Line Side	Wire Size (CU Stranded)	Torque	Wires / Terminal	Wire Class (UL) <sup>1</sup>
	500 kcmil - 4 AWG	42.3 N·m (375 lbf·in)	1	B, C
	350 kcmil - 4 AWG	42.3 N·m (375 lbf·in)	1	B, C, G, H, I, DLO

- Suitable for Class 2 Metric Wire, 240 - 25mm<sup>2</sup>
- Wire strip length: 1 3/8 in. (35mm)
- IP-20 protection:
  - Wire present and break-away tab installed - wire range: 3/0 - #4 AWG
  - Wire present and break-away tab removed - wire range: 500 kcmil - 4/0
  - No wire is present - remove tab and use plug (Catalog No. EPB-Plug-500)
- Terminal screw drive: 8 mm hex

Load Side	Wire Size (CU Stranded)	Torque	Wires/Terminal	Wire Class (UL) <sup>1</sup>
	2/0 - 4	13.6 N·m (120 lbf·in)	1	B, C
	50 - 17 mm <sup>2</sup> class 2			
	1-4	13.6 N·m (120 lbf·in)	1	G, H, I (DLO)
	6	13.6 N·m (120 lbf·in)	1-2	B, C, G, H, I (DLO)
	16mm <sup>2</sup>			
	8	4.5 N·m (40 lbf·in)	1	B, C, G, H, I (DLO)
	10mm <sup>2</sup> class 2			
	10 - 14	4.5 N·m (40 lbf·in)	1 - 2	B, C
6 - 2.5 mm <sup>2</sup> class 2	4 N·m (35 lbf·in)	1	B, C, I (DLO)	

- Solid copper wire range: #10 - 14 and 6-2.5 mm Class 1
- Wire strip length:
  - top row: 3/4 in. (19 mm)
  - bottom row: 1 3/4 in. (44 mm)
- IP-20 protection: 2/0 - 10 AWG
- Terminal screw drive: 5 mm hex

<sup>1</sup> For information on copper stranded wire classes please reference:  
<http://www.marathonsp.com/flexible-stranded-wire.php>

## Short Circuit Current Ratings (SCCR)

- The suitable conductor ranges are limited to the table values only for achieving the SCCR in excess of the default rating of 10,000A.
- Other conductor combinations within the “Terminal Specifications” noted are suitable for achieving a SCCR of 10,000A (the default rating of terminal blocks).
- Enclosure size – Investigated with a minimum 16X14X6 enclosure. Use in smaller enclosures is subject to end use evaluation.

## SCCR With Fuses

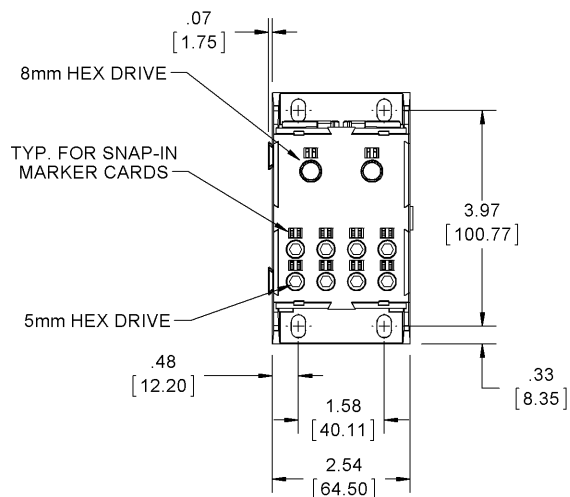
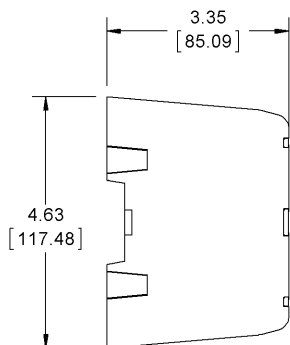
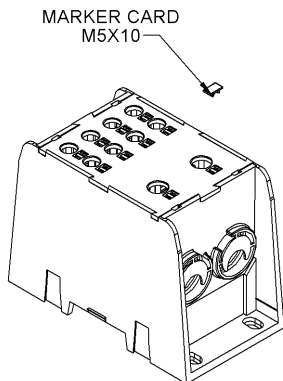
Wire Class	Suitable Conductors		Max Overcurrent Protection Fuse Required Amp Rating / Class						SCCR RMS Sym. Amps 600V. Max
	Line	Load	J	T	RK1	RK5	G	CC	
B, C	500 - 250	2/0 - 4	600	600	600	200	60	30	100,000
	240 - 150 mm <sup>2</sup> class 2	50 - 25 mm <sup>2</sup> class 2							
B, C	500 - 4	2/0 - 8	350	350	200	100	60	30	100,000
	240 - 25 mm <sup>2</sup> class 2	50 - 6 mm <sup>2</sup> class 2							
G, H, I, DLO	350 - 250	1 - 4	600	600	600	200	60	30	100,000
G, H, I, DLO	350 - 4	1 - 8	350	350	200	100	60	30	100,000

## Installation & Accessories

- Mounting (Panel):
  - For use with 1/4" (6 mm) fasteners.
  - Mounting torque to be determined in end use application not to exceed 30 lbf-in (4.5 N-m)
- Safety plugs:
  - Line side - EPB Plug 500 (when break-away tab is removed)
  - Load side - EPB Plug 2/0
- Marker cards:
  - White plastic inserts: EPB Marker Card
- Allen wrenches :
 

	5 mm	8 mm
• S & K tools	45955	45958
• Snap-on tools	FAML5E	FAML8E
• MAC tools	XDLS5MM	XDLS8MM
• McMaster Carr	8367A23	8367A26
• Armstrong	38-709	38-713

Drawing



STACK-UP DIMENSIONS  
(IF DOVETAIL IS USED FOR MULTI-LINES)

