

Customer Information Sheet

DRAWING No.: G125-MS1XX05L3P

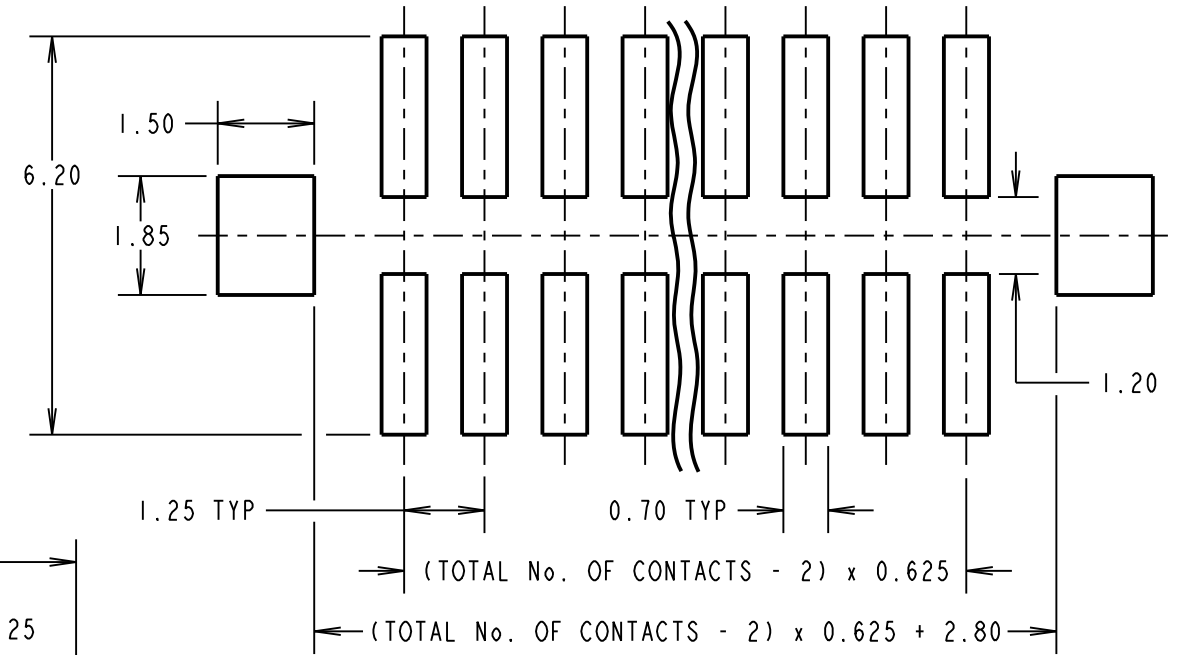
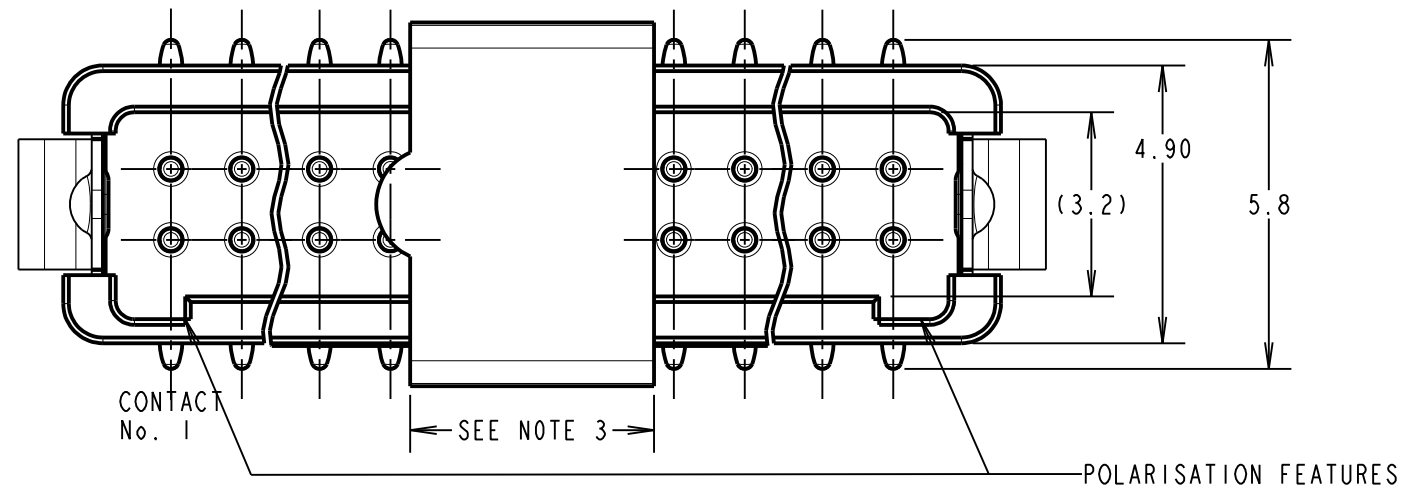
IF IN DOUBT - ASK

©

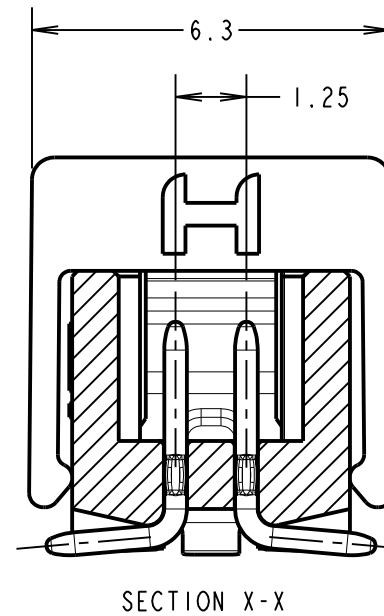
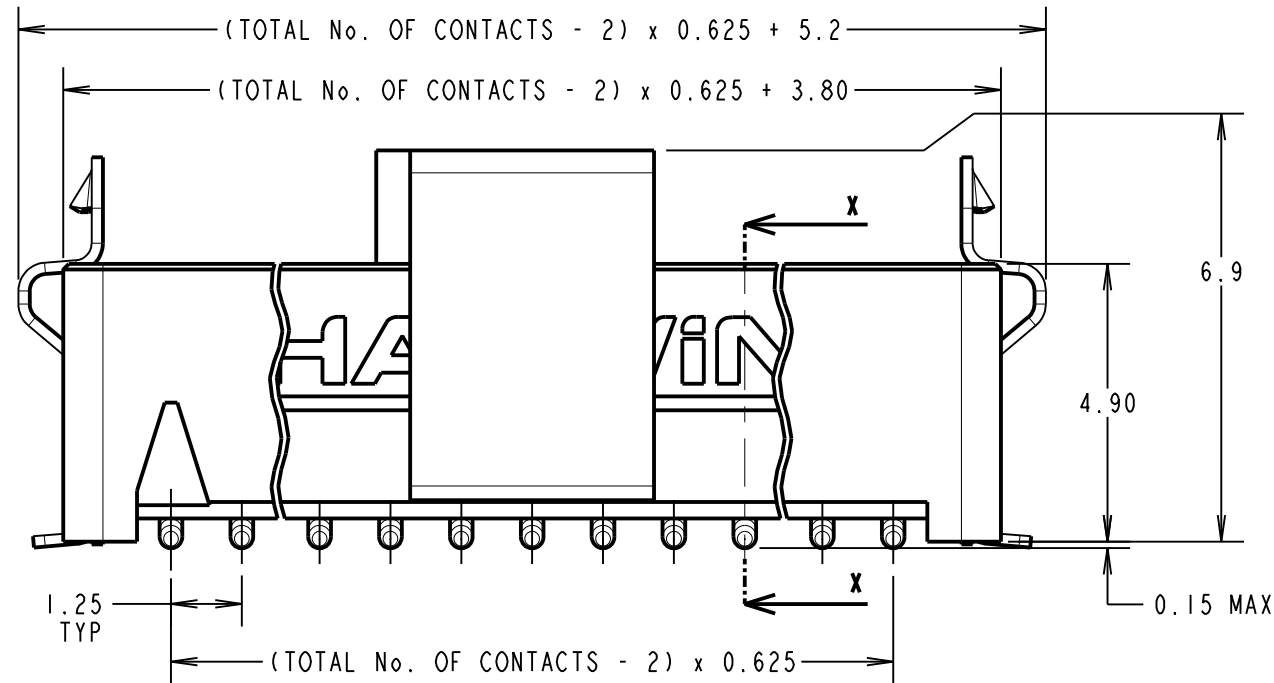
NOT TO SCALE

THIRD ANGLE PROJECTION

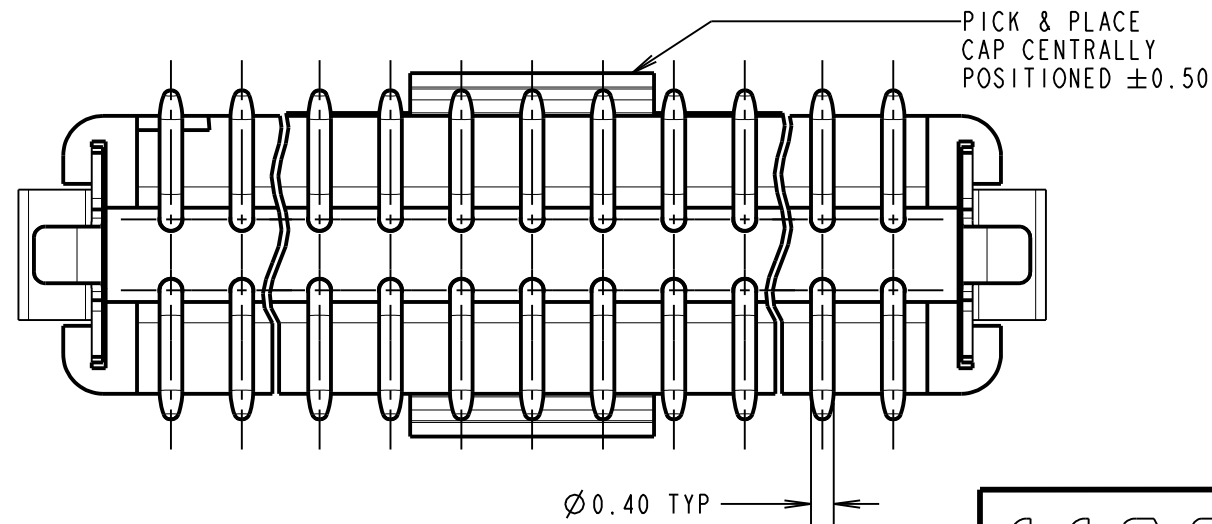
ALL DIMENSIONS IN mm



RECOMMENDED PCB LAYOUT - TOLERANCE = ±0.05



ORDER CODE: **G125-MS1XX05L3P**
 TOTAL No. OF CONTACTS: 06, 10, 12, 16, 20, 26, 34, 50



CONNECTOR DETAILS AND PCB LAYOUT ONLY.
 SEE SHEET 5 FOR TAPE STRIP DETAILS.

- NOTES:
- FOR COMPLETE SPECIFICATION, SEE COMPONENT SPECIFICATION C125XX (LATEST ISSUE).
 - CO-PLANARITY OF SMT TAILS AND LATCHES TO NOT EXCEED 0.08mm. RECOMMENDED SOLDER PASTE THICKNESS = 0.125mm MIN.
 - PICK AND PLACE CAP LENGTH = 4.3mm ON ALL PART NUMBERS EXCEPT G125-MS10605L3P ON THIS PART LENGTH = 3.3mm.

MR	8	16.11.21	31226
NAME	ISS.	DATE	CN/CO
APPROVED: M.RUDKIN			
CHECKED: R.PORTLOCK			
DRAWN: S.FLOWER			
CUSTOMER REF.:			
ASSEMBLY DRG:			

<p>www.harwin.com technical@harwin.com</p>	<p>THIS DRAWING AND ANY INFORMATION OR DESCRIPTIVE MATTER SET OUT HEREON ARE CONFIDENTIAL AND COPYRIGHT PROPERTY OF THE HARWIN GROUP AND MUST NOT BE DISCLOSED, LOANED, COPIED OR USED FOR MANUFACTURING, TENDERING OR FOR ANY OTHER PURPOSE WITHOUT THEIR WRITTEN PERMISSION.</p>	<p>TOLERANCES</p> <p>X. = ±1mm X.X = ±0.50mm X.XX = ±0.20mm X.XXX = ±0.01mm</p> <p>ANGLES = ±5° UNLESS STATED</p>	<p>MATERIAL:</p> <p>SEE C125XX</p>	<p>TITLE:</p> <p>1.25mm GECKO MALE VERTICAL SMT CONNECTORS IN TAPE</p>
			<p>FINISH: SEE C125XX</p> <p>S/AREA: mm²</p>	<p>DRAWING NUMBER:</p> <p>G125-MS1XX05L3P</p>

Customer Information Sheet

DRAWING No.: G125-MS1XX05L3P

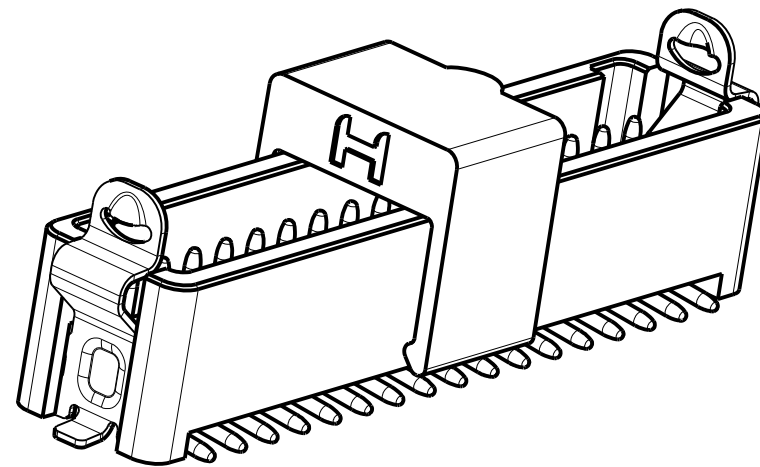
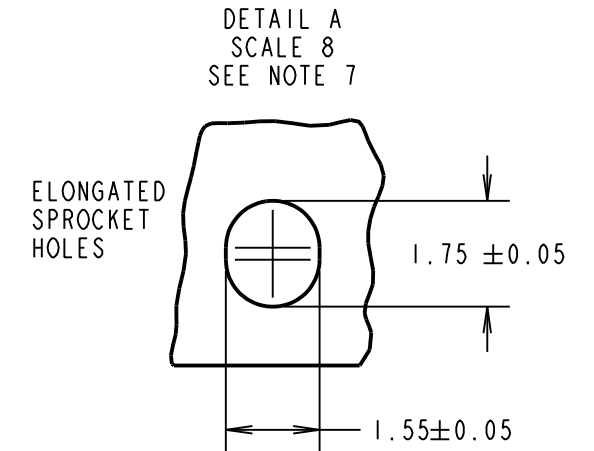
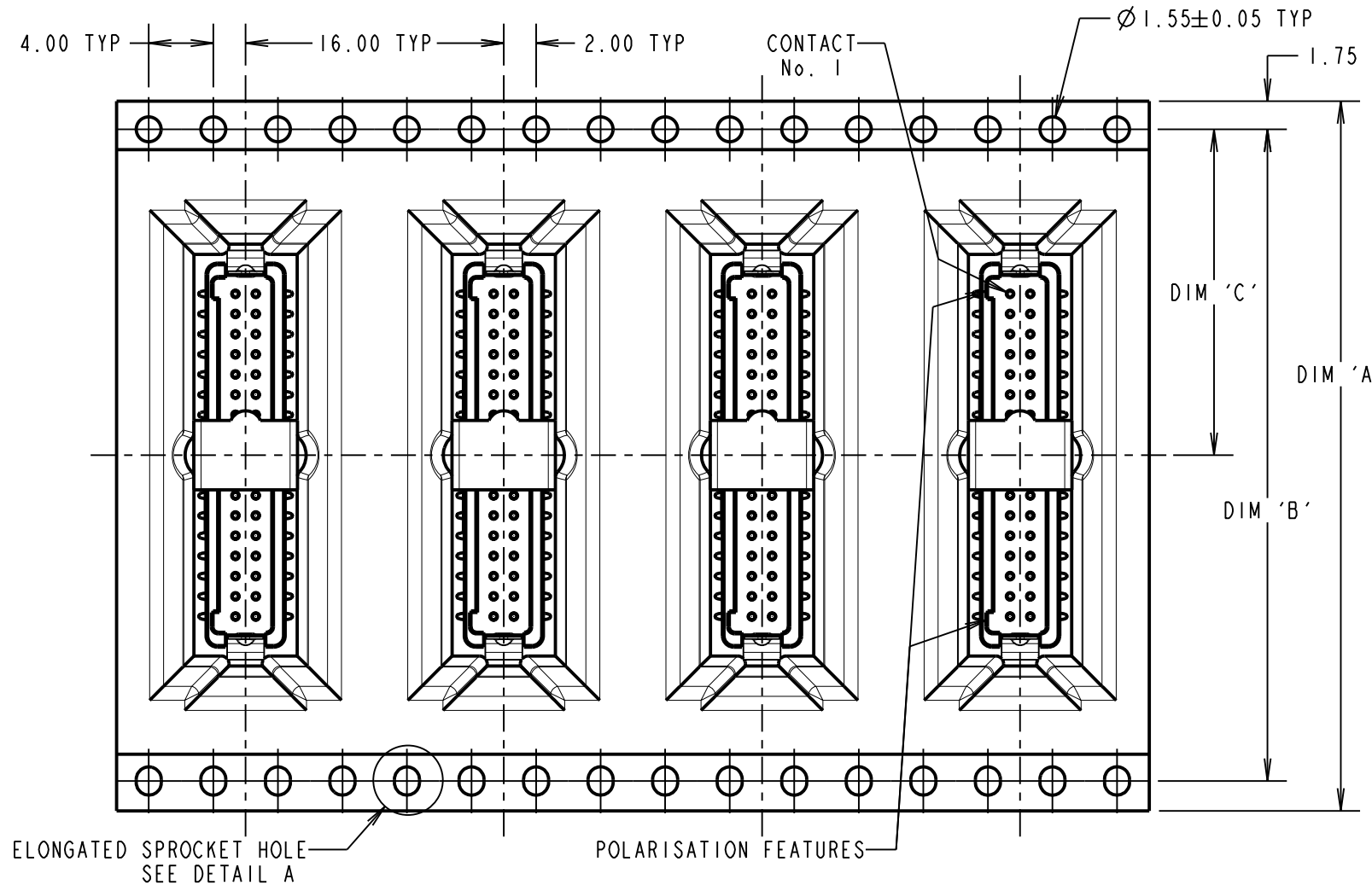
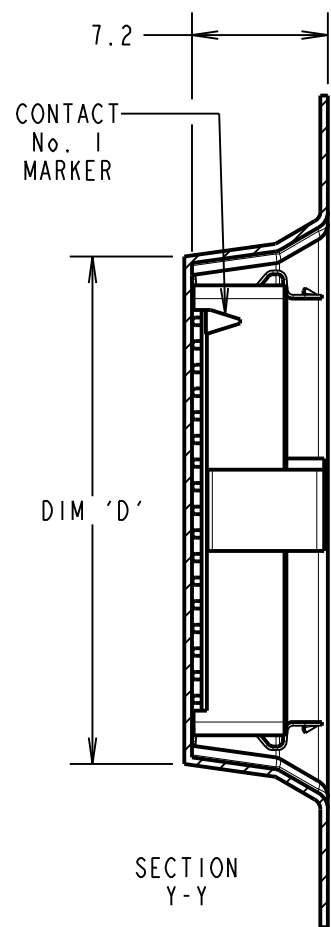
IF IN DOUBT - ASK

©

NOT TO SCALE

THIRD ANGLE PROJECTION

ALL DIMENSIONS IN mm



ORDER CODE: **G125-MS1XX05L3P**

TOTAL No. OF CONTACTS:
06, 10, 12, 16, 20, 26, 34, 50

NOTES:

- COMPONENTS ARE ORIENTED IN TAPE POCKETS AS SHOWN.
- COMPONENTS ARE SUPPLIED IN STRIPS OF 10.
- LARGE QUANTITIES MAY BE SHIPPED ON A REEL AND MAY NOT HAVE A LEADER.
- FOR PARTS ON REEL SUITABLE FOR AUTOMATIC MACHINE PLACEMENT PLEASE ORDER: G125-MS1XX05L3R.
- FOR COMPLETE SPECIFICATION, SEE COMPONENT SPECIFICATION C125XX (LATEST ISSUE).
- COMPONENTS ARE ORIENTATED IN TAPE POCKETS SO THAT THE POLARISING FEATURES ARE FACING AWAY FROM THE FREE END.
- ELONGATED SPROCKET HOLE NOT PRESENT ON 06 & 10 POSITIONS.

PART No.	DIM 'A'	DIM 'B'	DIM 'C'	(DIM 'D')
G125-MS10605L3P	24.0±0.3	NO ELONGATED HOLE	11.50	(8.6)
G125-MS11005L3P				(11.1)
G125-MS11205L3P	32.0±0.3	28.40	14.20	(12.4)
G125-MS11605L3P				(14.9)
G125-MS12005L3P	44.0±0.3	40.40	20.2±0.15	(18.1)
G125-MS12605L3P				(21.9)
G125-MS13405L3P				(26.9)
G125-MS15005L3P	56.0±0.3	52.40	26.2±0.15	(36.1)

MR	8	16.11.21	31226
NAME	ISS.	DATE	CN/CO
APPROVED: M.RUDKIN			
CHECKED: R.PORTLOCK			
DRAWN: S.FLOWER			
CUSTOMER REF.:			
ASSEMBLY DRG:			

HARWIN

www.harwin.com
technical@harwin.com

THIS DRAWING AND ANY INFORMATION OR DESCRIPTIVE MATTER SET OUT HEREON ARE CONFIDENTIAL AND COPYRIGHT PROPERTY OF THE HARWIN GROUP AND MUST NOT BE DISCLOSED, LOANED, COPIED OR USED FOR MANUFACTURING, TENDERING OR FOR ANY OTHER PURPOSE WITHOUT THEIR WRITTEN PERMISSION.

TOLERANCES

X. = ±1mm
X.X = ±0.50mm
X.XX = ±0.20mm
X.XXX = ±0.01mm
ANGLES = ±5°
UNLESS STATED

MATERIAL:

SEE C125XX

FINISH:

SEE C125XX

S/AREA:

mm²

TITLE:

1.25mm GECKO MALE VERTICAL SMT CONNECTORS IN TAPE

DRAWING NUMBER:

G125-MS1XX05L3P

SHT 5 OF 5