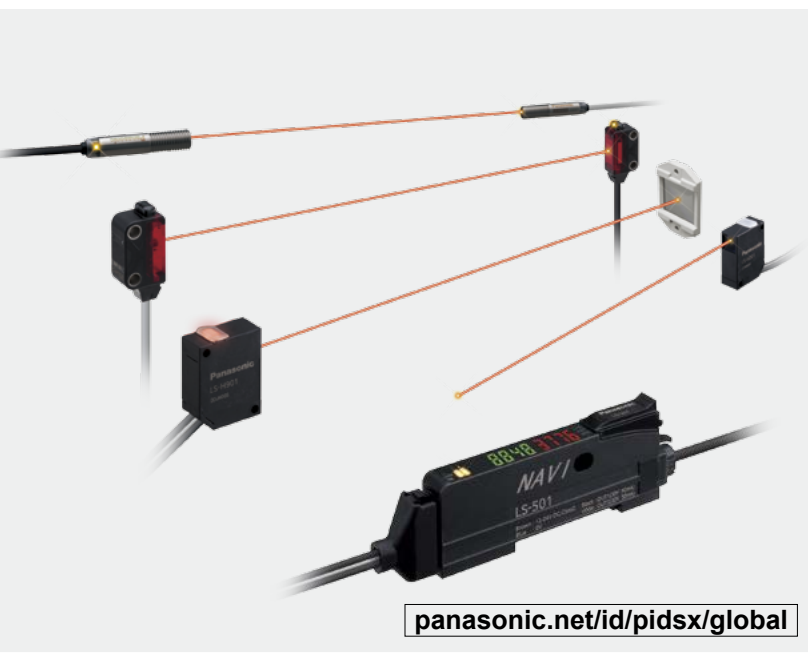


LS-500 SERIES

- FIBER SENSORS
- LASER SENSORS
- PHOTOELECTRIC SENSORS
- MICRO PHOTOELECTRIC SENSORS
- AREA SENSORS
- SAFETY LIGHT CURTAINS / SAFETY COMPONENTS
- PRESSURE / FLOW SENSORS
- INDUCTIVE PROXIMITY SENSORS
- PARTICULAR USE SENSORS
- SENSOR OPTIONS
- SIMPLE WIRE-SAVING UNITS
- WIRE-SAVING SYSTEMS
- MEASUREMENT SENSORS
- STATIC CONTROL DEVICES
- LASER MARKERS
- PLC

- General terms and conditions..... F-3
■ Selection guide P.169~
■ SC-GU3 P.971~
■ Glossary of terms / General precautions P.1549~ / P.1552~
■ About laser beam..... P.1593~



panasonic.net/id/pidsx/global



Warning: This product is classified as a Class 1 Laser Product in IEC / JIS standards and in FDA* regulations. Do not look at the laser beam through optical system such as a lens.

*This product complies with 21 CFR 1040.10 and 1040.11 Laser Notice No. 50, dated June 24, 2007, issued by CDRH (Center for Devices and Radiological Health) under the FDA (Food and Drug Administration).

- Self-diagnosis
- Test input
- PNP output type available
- Timer
- Light intensity monitor
- Interference prevention
- Automatic sensitivity setting

Industry's smallest*

*Amplifier-separated type laser sensor head as of September 2014, in-company survey

Industry's smallest* + Stainless steel (SUS) enclosure

*Amplifier-separated type laser sensor head as of September 2014, in-company survey

LS-H101

Stainless steel (SUS) body

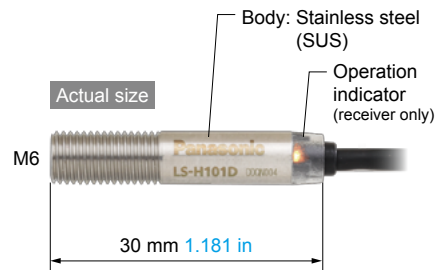
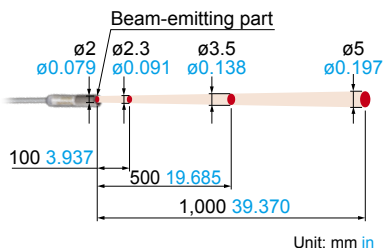
Featuring stainless steel (SUS) enclosure that won't break when bumped during installation or maintenance.

1 m 3.281 ft sensing range

(In STD amplifier response time mode)

One-point M6 installation

The LS-H101 features an easy-to-install design.



*Amplifier-separated type laser sensor head as of September 2014, in-company survey

LS-H102

Industry's smallest* + IP67

Waterproof IP67

Featuring waterproof IP67 to allow use in the presence of large amounts of water or dust.

Two-point installation

The thru-beam type LS-H102 features the same form as the EX-L200 amplifier built-in ultra-compact laser sensor. And it can be used as an EX-L200 with a digital indicator.

Simple positioning

Check the optimal receiving location at a glance while watching the red spot on the beam axis adjustment screen.



1 m 3.281 ft sensing range

(In STD amplifier response time mode)

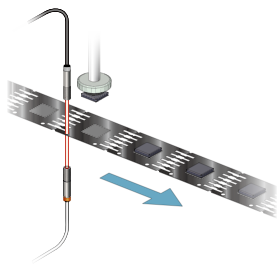
The LS-H102 delivers sufficient sensing range for use with 450 mm (17.717 in) wafers.

EX-L211 / EX-L212

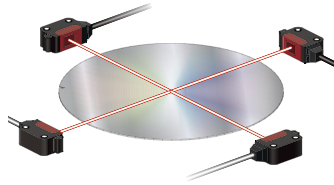
Same installation pitch as the EX-L200 series

APPLICATIONS

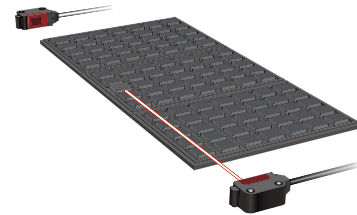
Lead frame position detection



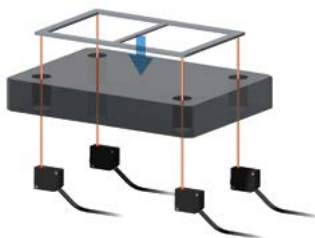
Wafer inclination detection



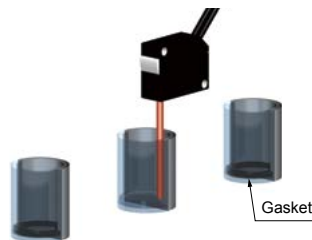
IC float detection



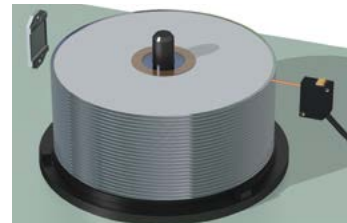
Detection of workpieces through a workbench



Detection of gaskets in caps



Detection of the top of DVDs, substrate, etc.



Industry's smallest* + Thinnest profile

Featuring a 60% smaller design (by volume) than previous coaxial reflective models

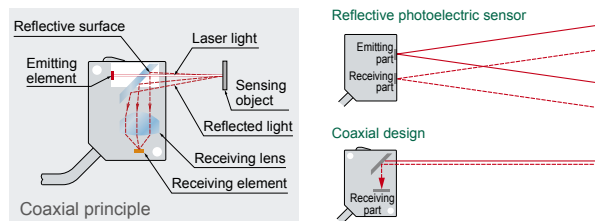
Our smallest unit is smaller in every dimension at just W8 × H23 × D18 mm **W0.315 × H0.906 × D0.709 in** (excluding indicators).

*Amplifier-separated type laser sensor head as of September 2014, in-company survey **LS-H201**



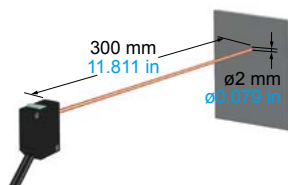
Coaxial design

By using a laser with high linearity in a coaxial design, the **LS-H201** is able to deliver stable sensing in confined spaces as well as simple installation.



Small, long-range spot

The **LS-H201** produces a spot with a diameter of 2 mm **0.079 in** at a sensing range of up to 300 mm **11.811 in** (in STD amplifier response time mode).



Easy-to-see operation indicator

The **LS-H201**'s operation indicator is visible from all directions.



FIBER SENSORS

LASER SENSORS

PHOTOELECTRIC SENSORS

MICRO PHOTOELECTRIC SENSORS

AREA SENSORS

SAFETY LIGHT CURTAINS / SAFETY COMPONENTS

PRESSURE / FLOW SENSORS

INDUCTIVE PROXIMITY SENSORS

PARTICULAR USE SENSORS

SENSOR OPTIONS

SIMPLE WIRE-SAVING UNITS

WIRE-SAVING SYSTEMS

MEASUREMENT SENSORS

STATIC CONTROL DEVICES

LASER MARKERS

PLC

HUMAN MACHINE INTERFACES

ENERGY MANAGEMENT SOLUTIONS

FA COMPONENTS

MACHINE VISION SYSTEMS

UV CURING SYSTEMS

Selection Guide

Amplifier Built-in

Amplifier-separated

LS-500

LS-400

- FIBER SENSORS
- LASER SENSORS
- PHOTOELECTRIC SENSORS
- MICRO PHOTOELECTRIC SENSORS
- AREA SENSORS
- SAFETY LIGHT CURTAINS / SAFETY COMPONENTS
- PRESSURE / FLOW SENSORS
- INDUCTIVE PROXIMITY SENSORS
- PARTICULAR USE SENSORS
- SENSOR OPTIONS
- SIMPLE WIRE-SAVING UNITS
- WIRE-SAVING SYSTEMS
- MEASUREMENT SENSORS
- STATIC CONTROL DEVICES
- LASER MARKERS
- PLC
- HUMAN MACHINE INTERFACES
- ENERGY MANAGEMENT SOLUTIONS
- FA COMPONENTS
- MACHINE VISION SYSTEMS
- UV CURING SYSTEMS

Industry's smallest* + Horizontal symmetry

*Amplifier-separated type laser sensor head as of September 2014, in-company survey **LS-H901**

Horizontal symmetry

Featuring a simple system design process thanks to a light source that is placed in the center of the sensor head and a coaxial design.

Industry's smallest* and thinnest design

The **LS-H901** is even thinner than previous models, measuring just W8 × H23 (excluding indicators) × D18 mm **W0.315 × H0.906 × D0.709 in.**

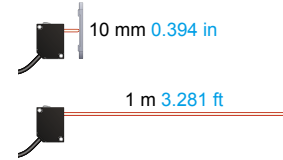


Sensing range of 10 mm to 1 m

0.394 in to 3.281 ft

(In STD amplifier response time mode)

The **LS-H901** supports close-range sensing



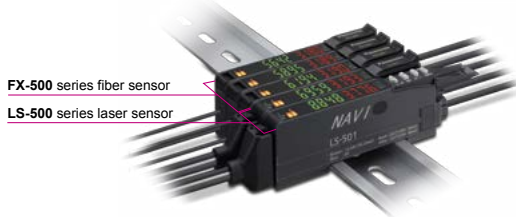
*Amplifier-separated type laser sensor head as of September 2014, in-company survey

Among industry's fastest response times* 60 μs

*Amplifier-separated type laser sensor head as of September 2014, in-company survey **LS-501**

Maximum compatibility with fiber sensors

The **LS-500** series features the same operation, menu displays, and form factor as the **FX-500** series for increased compatibility with fiber sensors.



Stable sensing over the long term

The **LS-500's** threshold-tracking function helps maintain stable sensing over the long term and reduce maintenance man-hours. The incident light intensity can be checked and the threshold automatically reset at a user-selected interval to track changes in light intensity due to environmental changes (such as dust, etc.) over extended periods of time.

Logic operations

The **LS-500's** ability to perform three logic operations (AND, OR, and XOR) on a standalone basis eliminates the need for a dedicated controller, cuts down on wiring, and lowers costs. This functionality can also be combined with the **FX-500** series.

**Detection of beam axis misalignment
Dual outputs (self-diagnosis output)**

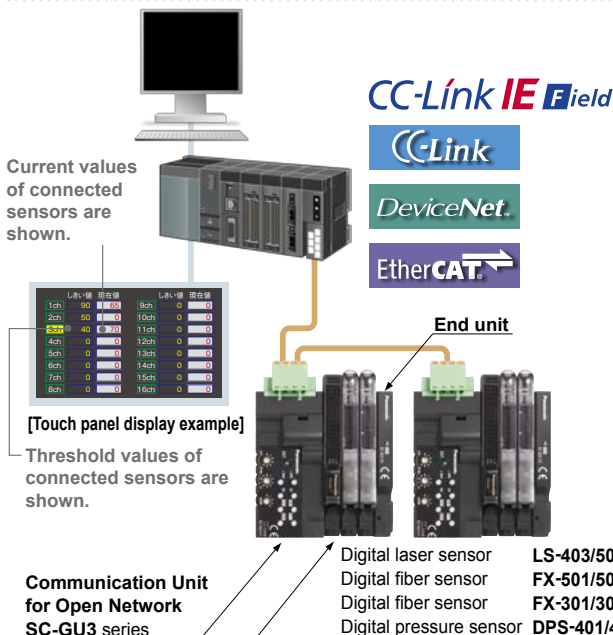
The **LS-500** series can detect any reduction in incident light intensity, for example due to the accumulation of dirt such as dust, and issue an alarm. Sensing output 2 can be set as self-diagnosis output. When you teach the threshold for sensing output 1, sensing output 2 is set accordingly, allowing you to shift the threshold by a previously set margin.

Data bank

Eight sets of amplifier settings can be stored in the unit's built-in memory. The ability to save and load settings reduces workload when changing the setup in a multi-model production environment.

Network communication possible

LS-501



Can connect to Open Network CC-Link IE Field / CC-Link / DeviceNet / EtherCAT via Communication Unit for Open Network **SC-GU3** series. Monitoring and various settings can be done from PLC, PC, etc.

*CC-Link and CC-Link IE Field are a registered trademark of Mitsubishi Electric Corporation.

DeviceNet is a registered trademark of ODVA (Open DeviceNet Vender Association, Inc.).

EtherCAT is a registered trademark of Beckhoff Automation GmbH.


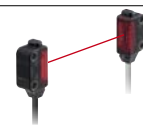


*Refer to p.971~ for details of **SC-GU3** series.

- Selection Guide
- Amplifier Built-in
- Amplifier-separated

- LS-500
- LS-400

ORDER GUIDE

Sensor heads

Type		Appearance	Model No.	Sensing range
		■ : HYPR ■ : U-LG ■ : LONG ■ : STD ■ : FAST ■ : H-SP		
Thru-beam type	Cylindrical		LS-H101	1 m 3.281 ft 1 m 3.281 ft 1 m 3.281 ft 1 m 3.281 ft 1 m 3.281 ft
	Square		LS-H102	1 m 3.281 ft 1 m 3.281 ft 1 m 3.281 ft 1 m 3.281 ft 1 m 3.281 ft 1 m 3.281 ft
Coaxial reflective type			LS-H201	750 mm 29.528 in 600 mm 23.622 in 450 mm 17.717 in 300 mm 11.811 in 200 mm 7.874 in 150 mm 5.906 in
Coaxial retroreflective type			LS-H901	0.01 to 2.5 m 0.033 to 8.202 ft 0.01 to 2 m 0.033 to 6.562 ft 0.01 to 1.5 m 0.033 to 4.921 ft 0.01 to 1 m 0.033 to 3.281 ft 0.01 to 1 m 0.033 to 3.281 ft 0.01 to 1 m 0.033 to 3.281 ft

5 m 16.404 ft cable length type

5 m 16.404 ft cable length types (Standard: 2 m 6.562 ft) are available. When ordering this type, suffix “-C5” to the model No.

LS-H101-C5

LS-H102-C5

LS-H201-C5

LS-H901-C5



Package without reflector

The **LS-H901** is also available without a reflector (**RF-330**).

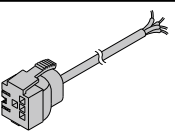
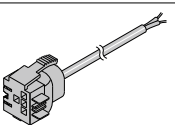
When ordering this type, suffix “-Y” to the model No.

LS-H901-Y


Amplifiers

Type	Appearance	Model No.	Output	Connection method
Connector type		LS-501	NPN open-collector transistor two outputs	Use quick-connection cable (optional)
		LS-501P	PNP open-collector transistor two outputs	
Cable type (With external input)		LS-501-C2	NPN open-collector transistor two outputs	2 m 6.562 ft cabtyre cable (6-core) included Cable outer diameter: ø4 mm ø0.157 in
		LS-501P-C2	PNP open-collector transistor two outputs	

Quick-connection cables Quick-connection cable is not supplied with the connector type amplifier. Please order it separately.

Type	Appearance	Model No.	Description
Main cable (4-core)		CN-74-C1	Length: 1 m 3.281 ft
		CN-74-C2	Length: 2 m 6.562 ft
		CN-74-C5	Length: 5 m 16.404 ft
Sub cable (2-core)		CN-72-C1	Length: 1 m 3.281 ft
		CN-72-C2	Length: 2 m 6.562 ft
		CN-72-C5	Length: 5 m 16.404 ft

Connector

Type	Appearance	Model No.	Description
Connector for amplifier		CN-EP4	Connector included with sensor head Use for maintenance, for example when another connector is damaged. Five pcs. per set

FIBER SENSORS

LASER SENSORS

PHOTO-ELECTRIC SENSORS

MICRO PHOTO-ELECTRIC SENSORS

AREA SENSORS

SAFETY LIGHT CURTAINS / SAFETY COMPONENTS

PRESSURE / FLOW SENSORS

INDUCTIVE PROXIMITY SENSORS

PARTICULAR USE SENSORS

SENSOR OPTIONS

SIMPLE WIRE-SAVING UNITS

WIRE-SAVING SYSTEMS

MEASUREMENT SENSORS

STATIC CONTROL DEVICES

LASER MARKERS

PLC

HUMAN MACHINE INTERFACES

ENERGY MANAGEMENT SOLUTIONS

FA COMPONENTS

MACHINE VISION SYSTEMS

UV CURING SYSTEMS

Selection Guide

Amplifier Built-in

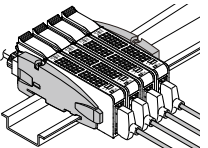
Amplifier-separated

LS-500

LS-400

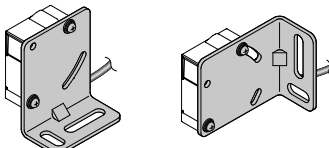
ORDER GUIDE

End plates End plates are not supplied with the amplifier. Please order them separately when the amplifiers are mounted in cascade.

Appearance	Model No.	Description
	MS-DIN-E	When cascading multiple amplifiers, or when it moves depending on the way it is installed on a DIN rail, these end plates clamp amplifiers into place on both sides. Make sure to use end plates when cascading multiple amplifiers together. Two pcs. per set

Accessories

MS-LS-1 (Sensor head mounting bracket)
For **LS-H201** / **LS-H901**

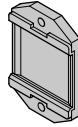


Foot angled mounting

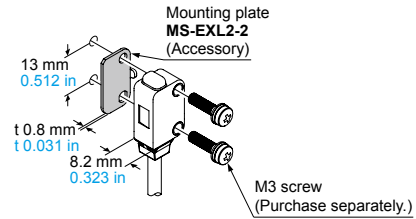
Back angled mounting

Material: Stainless steel (SUS304)
Two M2 (length 12 mm **0.472 in**) screws with washers [stainless steel (SUS)] are attached.

RF-330 (Reflector)



MS-EXL2-2 (Mounting plate for thru-beam type)



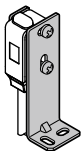
Material: Stainless steel (SUS304)

OPTIONS

Designation	Model No.	Description
Sensor head mounting bracket	MS-EXL2-1	For LS-H102 (square side sensing type) Foot angled mounting bracket
	MS-EXL2-4	For LS-H102 (square side sensing type) Universal sensor mounting bracket
	MS-EXL2-5	For LS-H102 (square side sensing type) Back angled mounting bracket
Amplifier mounting bracket	MS-DIN-2	Mounting bracket for amplifier
Amplifier protective seal	FX-MB1	10 sets of 2 communication window seals and 1 connector seal Communication window seal: It prevents malfunction due to transmission signal from another amplifier, as well as, prevents effect on another amplifier. Connector seal: It prevents contact of any metal, etc., with the pins of the quick-connection cable.
		Reflector
Reflective tape	RF-31	For coaxial retroreflective type Size: 9.2 × 9.2 × t 0.4 mm 0.362 × 0.362 × t 0.016 in
	RF-33	For coaxial retroreflective type Size: 25.2 × 27.8 × t 0.4 mm 0.992 × 1.094 × t 0.016 in
		Sensing range: 0.01 to 1 m 0.033 to 3.281 ft
		Sensing range: Same as the RF-330 .

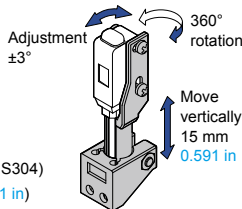
Sensor head mounting bracket

• **MS-EXL2-1**



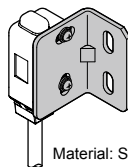
Material: Stainless steel (SUS304)
Two M3 (length 14 mm **0.551 in**) screws with washers [stainless steel (SUS)] are attached.

• **MS-EXL2-4**



Material: Die-cast zinc alloy
Two M3 (length 14 mm **0.551 in**) screws with washers [stainless steel (SUS)], one M3 (length 10 mm **0.394 in**) hexagon-socket-head bolt [stainless steel (SUS)], and one M3 hexagon nut [stainless steel (SUS)] are attached.

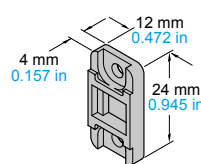
• **MS-EXL2-5**



Material: Stainless steel (SUS304)
Two M3 (length 14 mm **0.551 in**) screws with washers [stainless steel (SUS)] are attached.

Reflector

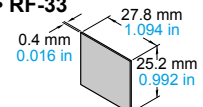
• **RF-310**



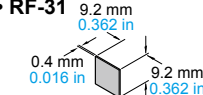
Material: Stainless steel (SUS304)

Reflective tape

• **RF-33**



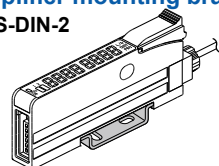
• **RF-31**



Material: Die-cast zinc alloy

Amplifier mounting bracket

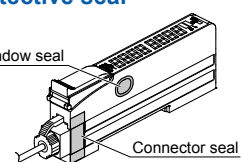
• **MS-DIN-2**



Amplifier protective seal

• **FX-MB1**

Communication window seal



SPECIFICATIONS**Sensor heads**

Item	Type Model No.	Thru-beam type		Coaxial reflective type LS-H201	Coaxial retroreflective type LS-H901
		Cylindrical LS-H101	Square LS-H102		
CE marking directive compliance		EMC Directive, RoHS Directive			
Applicable amplifiers		LS-501(P), LS-501(P)-C2 (Note 2)			
Sensing range (Note 3,4)	H-SP	1 m 3.281 ft	1 m 3.281 ft	150 mm 5.906 in	0.01 to 1 m 0.033 to 3.281 ft
	FAST	1 m 3.281 ft	1 m 3.281 ft	200 mm 7.874 in	0.01 to 1 m 0.033 to 3.281 ft
	STD	1 m 3.281 ft	1 m 3.281 ft	300 mm 11.811 in	0.01 to 1 m 0.033 to 3.281 ft
	LONG	1 m 3.281 ft	1 m 3.281 ft	450 mm 17.717 in	0.01 to 1.5 m 0.033 to 4.921 ft
	U-LG	1 m 3.281 ft	1 m 3.281 ft	600 mm 23.622 in	0.01 to 2 m 0.033 to 6.562 ft
	HYPR	1 m 3.281 ft	1 m 3.281 ft	750 mm 29.528 in	0.01 to 2.5 m 0.033 to 8.202 ft
Spot size		ø5 mm ø 0.197 in approx. or less (at a distance from the emitter of 1 m 3.281 ft)	ø5 mm ø 0.197 in approx. or less (at a distance from the emitter of 1 m 3.281 ft)	ø2 mm ø 0.079 in approx. or less (at a distance from the sensor head of 300 mm 11.811 in)	ø6 mm ø 0.236 in approx. or less (at a distance from the sensor head of 1 m 3.281 ft)
Sensing object		Opaque, translucent, or transparent object (Note 5)			
Operation indicator		Orange LED (lights up when the amplifier output is ON)			
Environmental resistance	Protection	IP40 (IEC)	IP67 (IEC)	IP40 (IEC)	IP40 (IEC)
	Ambient temperature	-10 to +55 °C +14 to +131 °F (No dew condensation or icing allowed), Storage: -20 to +70 °C -4 to +158 °F			
	Ambient humidity	35 to 85 % RH, Storage: 35 to 85 % RH			
	Ambient illuminance	Incandescent light: 3,000 lx or less at the light-receiving face			
	Voltage withstandability	1,000 V AC for one min. between all supply terminals connected together and enclosure			
	Insulation resistance	20 MΩ, or more, with 250 V DC megger between all supply terminals connected together and enclosure			
	Vibration resistance	10 to 500 Hz frequency, 1.5 mm 0.059 in double amplitude in X, Y and Z directions for two hours each			
	Shock resistance	100 m/s ² acceleration (10 G approx.) in X, Y and Z directions three times each			
Emitting element	Type	Red semiconductor laser diode			
	Peak emission wavelength	660 nm 0.026 mil			
	Laser class	Class 1 [IEC / JIS / FDA (Note 6)]			
	Max. output	2 mW	2 mW	2 mW	1 mW
Material		Enclosure: Stainless steel (SUS303) Cover: Polycarbonate	Enclosure: PBT Cover: Acrylic	Enclosure: PBT, Indicator cover: Polycarbonate Beam-emitting/receiving surfaces: Glass	
Cable		0.09 mm ² 2-core shielded cable, 2 m 6.562 ft long (Note 7)		0.15 mm ² , 2-core two parallel shielded cables, 2 m 6.562 ft long (Note 7)	
Weight		Net weight: 50 g approx. Gross weight: 75 g approx.	Net weight: 50 g approx. Gross weight: 70 g approx.	Net weight: 50 g approx. Gross weight: 80 g approx.	Net weight: 50 g approx. Gross weight: 85 g approx.
Accessories		M6 screw: 4 pcs. Toothed lock washer: 2 pcs.	MS-EXL2-2 (Mounting plate): 2 pcs.	MS-LS-1 (Mounting bracket): 1pc.	MS-LS-1 (Mounting bracket): 1pc. RF-330 (Reflector): 1pc.

- Notes: 1) Where measurement conditions have not been specified precisely, the conditions used were an ambient temperature of +23 °C **+73.4 °F**.
2) When using the thru-beam type **LS-H101** or **LS-H102**, do not set the receiving light sensitivity (gctL) of the applicable **LS-500** series amplifier to level 2 or less. This is because there is a possibility of sensing becoming unstable.
3) The sensing range of the coaxial reflective type sensor is specified for white non-glossy paper (100 × 100 mm **3.937 × 3.937 in**) as the object.
4) The sensing ranges for coaxial retroreflective type sensors are values for the **RF-330** reflector. In addition, the sensing range is the possible setting range for the reflector. The sensor can detect an object less than 0.01 m **0.033 ft** away. Note that if there are white papers or specular objects near the sensor head, reflected light from these objects may be received. In such cases, use the amplifier unit's receiving sensitivity function to lower the sensitivity, change the response time, or move the sensor head away from the target object. The incident light intensity may vary with the condition of the reflector surface. When using one of the applicable **LS-500** series amplifiers, leave an adequate safety margin when setting the threshold.
5) Make sure to confirm detection with an actual sensor before use.
6) This product complies with 21 CFR 1040.10 and 1040.11 Laser Notice No. 50, dated June 24, 2007, issued by CDRH (Center for Devices and Radiological Health) under the FDA (Food and Drug Administration).
7) Cable cannot be extended.

FIBER
SENSORSLASER
SENSORSPHOTO-
ELECTRIC
SENSORSMICRO
PHOTO-
ELECTRIC
SENSORSAREA
SENSORSSAFETY LIGHT
CURTAINS/
SAFETY
COMPONENTSPRESSURE /
FLOW
SENSORSINDUCTIVE
PROXIMITY
SENSORSPARTICULAR
USE
SENSORSSENSOR
OPTIONSSIMPLE
WIRE-SAVING
UNITSWIRE-SAVING
SYSTEMSMEASURE-
MENT
SENSORSSTATIC
CONTROL
DEVICESLASER
MARKERS

PLC

HUMAN
MACHINE
INTERFACESENERGY
MANAGEMENT
SOLUTIONSFA
COMPONENTSMACHINE
VISION
SYSTEMSUV
CURING
SYSTEMSSelection
GuideAmplifier
Built-inAmplifier-
separated**LS-500****LS-400**

SPECIFICATIONS

Amplifiers

Item	Model No.	Type	Connector type	Cable type
		NPN output	LS-501	LS-501-C2
		PNP output	LS-501P	LS-501P-C2
CE marking directive compliance		EMC Directive, RoHS Directive		
Supply voltage		12 to 24 V DC $_{-15}^{+10}$ % Ripple P-P 10 % or less		
Power consumption		Normal operation: 1,200 mW or less (Current consumption 50 mA or less at 24 V supply voltage, Cable type: excluding monitor current output) ECO mode: 980 mW or less (Current consumption 40 mA or less at 24 V supply voltage, Cable type: excluding monitor current output)		
Sensing outputs (Sensing output 1, 2) (Note 4)		<NPN output type> NPN open-collector transistor		<PNP output type> PNP open-collector transistor
		<ul style="list-style-type: none"> Maximum sink current: 50 mA (Note 2) Applied voltage: 30 V DC or less (between output and 0 V) Residual voltage: 2 V or less (at max. sink current) 		<ul style="list-style-type: none"> Maximum source current: 50 mA (Note 2) Applied voltage: 30 V DC or less (between output and +V) Residual voltage: 2 V or less (at max. source current)
Output operation		Selectable either Light-ON or Dark-ON		
Short-circuit protection		Incorporated		
Sensing output 1		Normal mode, differential mode, hysteresis mode, window comparator mode, selectable		
Sensing output 2 (Note 4)		Normal mode, differential mode, hysteresis mode, self-diagnosis output mode, selectable	Normal mode, differential mode, hysteresis mode, self-diagnosis output mode, answer-back output mode, selectable	
Response time		H-SP: 60 μs or less, FAST: 150 μs or less, STD: 250 μs or less, LONG: 500 μs or less, U-LG: 5 ms or less, HYPR: 24 ms or less, selectable		
Monitor current output		Output current: Approx. 4 to 20 mA (H-SP, FAST, STD: at 0 to 4,000 indication) Response time: 2 ms or less Zero point: 4 mA ± 1 % F.S. Span: 16 mA ± 5 % F.S. Linearity: ± 3 % F.S. Load resistance: 0 to 250 Ω		
External input (Note 4)		<NPN output type> NPN non-contact input <ul style="list-style-type: none"> Signal condition High: +8 V to +V DC or open, Low: 0 to +2 V DC (source current 0.5 mA or less) Input impedance: 10 kΩ approx. 	<PNP output type> PNP non-contact input <ul style="list-style-type: none"> Signal condition High: +4 V to +V DC (sink current 3.0 mA or less), Low: 0 to +0.6 V DC or open Input impedance: 10 kΩ approx. 	
External input function		Laser emission halt / teaching (full-auto teaching, limit teaching, 2 point teaching) / logic operation setting / copy lock / display adjustment / data bank load / data bank save, selectable		
Sensing output operation indicator		Orange LED (lights up when sensing output 1 or sensing output 2 is ON)		
Laser emission indicator		Green LED (lights up during laser emission)		
Output select indicator		Yellow LED (lights up when output is selected)		
Digital display		8-digit 7-segment digital display (4-digit green LED + 4-digit red LED), MODE indicator (Yellow LED): L/D, CUST, PRO		
Incident light indication range		H-SP / FAST / STD: 0 to 4,000, LONG / U-LG / HYPR: 0 to 9,999		
Sensitivity setting		2-level teaching / limit teaching / full auto teaching / manual adjustment		
Logical operation		Between sensing output 1 and calculation target: Disabled / AND / OR / XOR, selectable Calculation target: Sensing output 2 / adjacent upstream amplifier (sensing output 1) / external input, selectable		
Timer functions		<Sensing output 1> OFF-delay timer, ON-delay timer, One-shot timer, ON/OFF-delay timer, ON-delay / One-shot timer, switchable either effective or ineffective, with variable timer period		
		<Sensing output 2> OFF-delay timer, ON-delay timer, One-shot timer, switchable either effective or ineffective, with variable timer period		
Timer period		Timer range "ms": 0.5 ms approx., 1 to 9,999 ms approx., in approx. 1 ms intervals Timer range "sec": 0.5 sec. approx., 1 to 32 sec. approx., in approx. 1 sec. intervals Timer range "1/10 ms": 0.05 ms approx., 0.1 to 999.9 ms approx., in approx. 0.1 ms intervals, Set separately for each output.		
Interference prevention function		Incorporated (Note 3)		
Environmental resistance	Protection	IP40 (IEC)		
	Ambient temperature	-10 to +55°C +14 to +131 °F (If 4 to 7 units are mounted close together, -10 to +50°C +14 to +122 °F; if 8 to 16 units (cable type: 8 to 12 units) are mounted close together, -10 to +45 °C +14 to +113°F) (No dew condensation or icing allowed), Storage: -20 to +70 °C -4 to +158 °F		
	Ambient humidity	35 to 85 % RH, Storage: 35 to 85 % RH		
	Voltage withstandability	1,000 V AC for one min. between all supply terminals connected together and enclosure		
	Insulation resistance	20 MΩ, or more, with 250 V DC megger between all supply terminals connected together and enclosure		
	Vibration resistance	10 to 150 Hz frequency, 0.75 mm 0.030 in (max. 10 G) double amplitude in X, Y and Z directions for two hours each		
Shock resistance	98 m/s ² acceleration (10 G approx.) in X, Y and Z directions five times each			
Material		Enclosure: Polycarbonate, Cover: Polycarbonate, Switch: Polyacetal		
Cable		0.2 mm ² 6-core cabtyre cable, 2 m 6.562 ft long		
Cable extension		Extension up to total 100 m 328.084 ft is possible with 0.3 mm ² , or more, cable.		
Weight		Net weight: 15 g approx., Gross weight: 55 g approx.	Net weight: 75 g approx., Gross weight: 110 g approx.	
Accessory		FX-MB1 (Amplifier protective seal): 1 set		

Notes: 1) Where measurement conditions have not been specified precisely, the conditions used were an ambient temperature of +23 °C +73.4 °F.

2) 25 mA if 5 or more amplifier are connected in cascade (excluding cable extension).

3) Number of units that can be mounted close together: 0 for H-SP; 2 for FAST; 4 for STD, LONG, U-LG, or HYPR

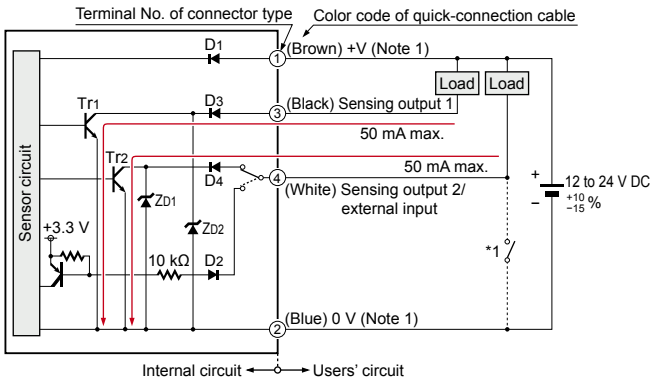
4) Select either sensing output 2 or external input as the connector type.

I/O CIRCUIT AND WIRING DIAGRAMS

I/O circuit diagrams

NPN output type

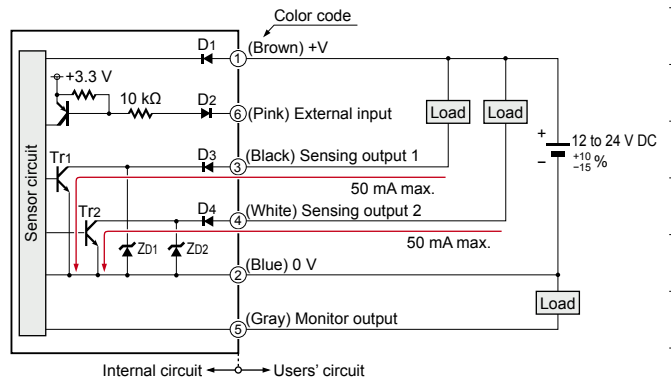
Connector type

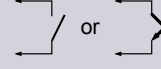
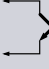


Notes: 1) The quick-connection sub cable does not have +V (brown) and 0 V (blue). The power is supplied from the connector of the main cable.
2) Wiring when sensing output 2 is selected is shown with solid lines. Wiring when external input is selected is shown with broken lines.

Symbols ... D₁, D₂, D₃, D₄: Reverse supply polarity protection diode
Z_{D1}, Z_{D2}: Surge absorption zener diode
Tr₁, Tr₂: NPN output transistor

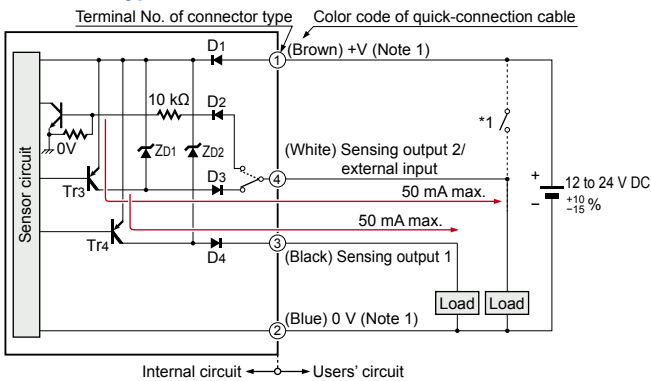
Cable type



***1**
Non-voltage contact or NPN open-collector transistor
 or 
 • External input
 High: +8 V to +V, or open
 Low: 0 to +2 V (source current: 0.5 mA or less)
 • Light emission halts and teaching occurs when at Low.

PNP output type

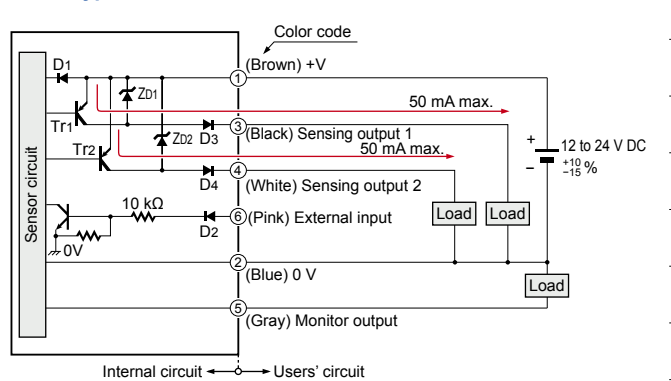
Connector type

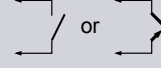



Notes: 1) The quick-connection sub cable does not have +V (brown) and 0 V (blue). The power is supplied from the connector of the main cable.
2) Wiring when sensing output 2 is selected is shown with solid lines. Wiring when external input is selected is shown with broken lines.

Symbols ... D₁, D₂, D₃, D₄: Reverse supply polarity protection diode
Z_{D1}, Z_{D2}: Surge absorption zener diode
Tr₁, Tr₂: PNP output transistor

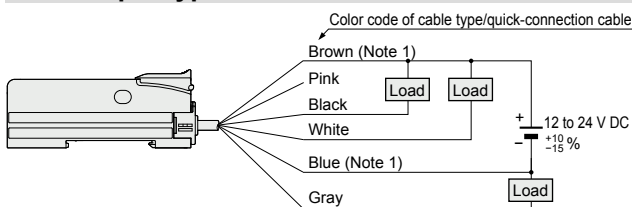
Cable type



***1**
Non-voltage contact or PNP open-collector transistor
 or 
 • External input
 High: +4 V to +V (sink current: 3 mA or less)
 Low: 0 to +0.6 V, or open
 • Light emission halts and teaching occurs when at High.

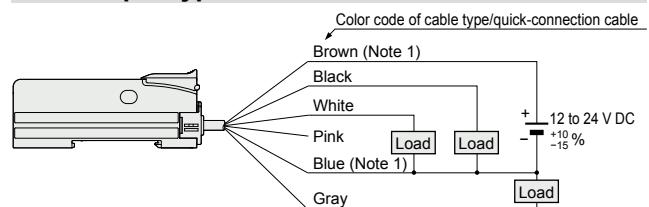
Wiring diagrams

NPN output type



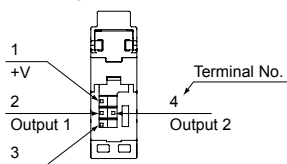
Notes: 1) The quick-connection sub cable does not have brown lead wire and blue lead wire. The power is supplied from the connector of the main cable.
2) The quick-connection cable does not have gray or pink lead wires.

PNP output type



Notes: 1) The quick-connection sub cable does not have brown lead wire and blue lead wire. The power is supplied from the connector of the main cable.
2) The quick-connection cable does not have gray or pink lead wires.

Terminal layout of connector type



*** Connector for amplifier (CN-EP4) pin position**

Terminal No.	Connection cable
①	Purple
②	White
③	Shield
④	Shield
⑤	Black
⑥	Pink

FIBER SENSORS

LASER SENSORS

PHOTO-ELECTRIC SENSORS

MICRO PHOTO-ELECTRIC SENSORS

AREA SENSORS

SAFETY LIGHT CURTAINS / SAFETY COMPONENTS

PRESSURE / FLOW SENSORS

INDUCTIVE PROXIMITY SENSORS

PARTICULAR USE SENSORS

SENSOR OPTIONS

SMILE WIRE-SAVING UNITS

WIRE-SAVING SYSTEMS

MEASUREMENT SENSORS

STATIC CONTROL DEVICES

LASER MARKERS

PLC

HUMAN MACHINE INTERFACES

ENERGY MANAGEMENT SOLUTIONS

FA COMPONENTS

MACHINE VISION SYSTEMS

UV CURING SYSTEMS

Selection Guide

Amplifier Built-in

Amplifier-separated

LS-500

LS-400

PRECAUTIONS FOR PROPER USE

Refer to p.1552~ for general precautions and p.1593~ for information about laser beam.

- This catalog is a guide to select a suitable product. Be sure to read the instruction manual attached to the product prior to its use.



- Never use this product as a sensing device for personnel protection.
- In case of using sensing devices for personnel protection, use products which meet regulations and standards, such as OSHA, ANSI or IEC etc., for personnel protection applicable in each region or country.

Cautions for laser beams



- These products are Class 1 laser in compliance with IEC, JIS standards and FDA* regulations. To reduce the risk of danger, do not look directly at the laser beam or view it through an optical system.
- A label with instructions as found at the below is affixed to the product. Handle this sensor as per the instruction on the labels.

Panasonic Industrial Devices SUNX Co., Ltd.
2431-1, Ushiyama-cho, Kasugai,
Aichi 486-0901 Japan
Complies with 21 CFR 1040.10 and 1040.11
except for deviations pursuant to Laser Notice
No.50, dated June 24, 2007.
MANUFACTURED

クラス1レーザー製品 CLASS 1 LASER PRODUCT
(JIS C 6802-2011) (IEC 60825-1:2007)
CE

*This product complies with 21 CFR 1040.10 and 1040.11 Laser Notice No. 50, dated June 24, 2007, issued by CDRH (Center for Devices and Radiological Health) under the FDA (Food and Drug Administration).

Safety standards for laser beam products

- A laser beam can harm human being's eyes, skin, etc., because of its high energy density. IEC has classified laser products according to the degree of hazard and the stipulated safety requirements. **LS-H** is classified as Class 1 laser.

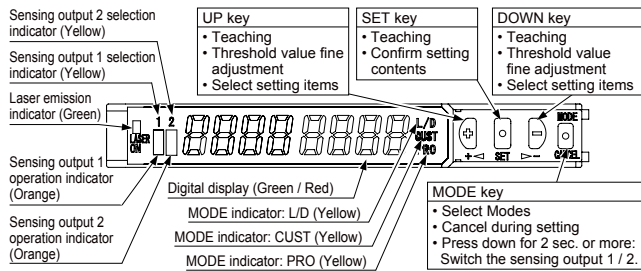
Classification by IEC 60825-1

Classification	Description
Class 1	Lasers that are safe under reasonably foreseeable conditions of operation, including the use of optical instruments for intrabeam viewing.

Safe use of laser products

- For the purpose of preventing users from suffering injuries by laser products, IEC 60825-1 (Safety of laser products). Please check the standards before use. (Refer to p.1593~ for information about laser beam.)

Part description (Amplifier)

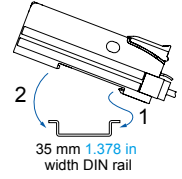


Mounting

Amplifier

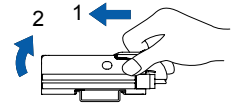
<How to mount the amplifier>

- (1) Fit the rear part of the mounting section of the amplifier on a 35 mm 1.378 in width DIN rail.
- (2) Press down the rear part of the mounting section of the unit on the 35 mm 1.378 in width DIN rail and fit the front part of the mounting section to the DIN rail.



<How to remove the amplifier>

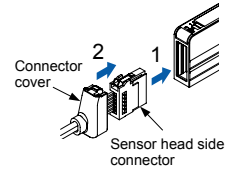
- (1) Push the amplifier forward.
- (2) Lift up the front part of the amplifier to remove it.



Note: Be careful. If the front part is lifted without pushing the amplifier forward, the hook on the rear portion of the mounting section is likely to break.

<How to mount the sensor head>

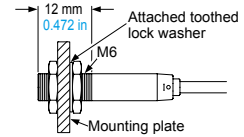
- (1) Insert the sensor head connector into the inlet until it clicks.
- (2) Fit the cover to the connector.



Sensor head

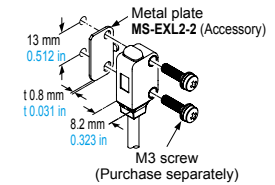
LS-H101

- The tightening torque should be 0.98 N·m or less.



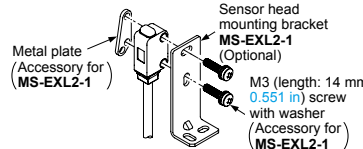
LS-H102

- In case mounting this product, use a metal plate **MS-EXL2-2** (accessory).
- The tightening torque should be 0.5 N·m or less with M3 screws.

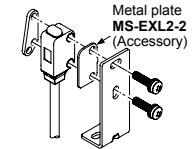


- In case using the dedicated sensor head mounting bracket **MS-EXL2-1** (optional) when mounting this product, the metal plate **MS-EXL2-2** (accessory) is required depending on the mounting direction. Mount as the diagram below indicates.

<Not requiring the metal plate>

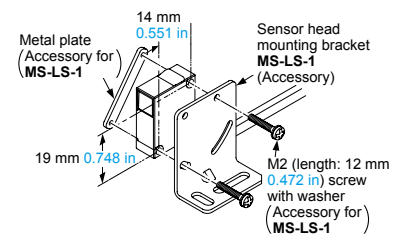


<Requiring the metal plate>



LS-H201, LS-H901

- The tightening torque should be 0.5 N·m or less.
- When placing the sensor head horizontally or vertically, the reflector must also be positioned horizontally or vertically as shown in Fig. 1 below. If the sensor head is placed horizontally or vertically but the reflector is tilted as shown in Fig. 2 below, the reflection amount will decrease, which may cause unstable detection.



PRECAUTIONS FOR PROPER USE

Refer to p.1552~ for general precautions and p.1593~ for information about laser beam.

Fig. 1 Proper positioning

When placing the sensor head horizontally or vertically, the reflector shall also be positioned horizontally or vertically.

<Correct>

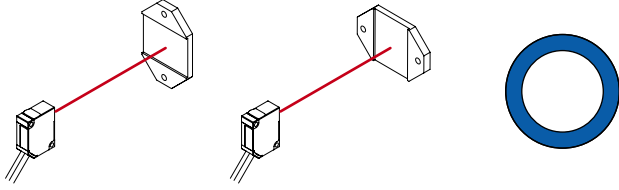
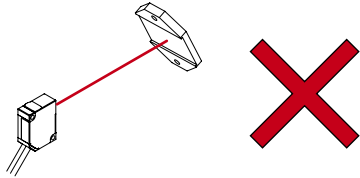


Fig. 2 Improper positioning

When placing the reflector tilted even when the sensor head is positioned horizontally or vertically.

<Incorrect>



Wiring

- Make sure that the power supply is off while wiring.
 - Verify that the supply voltage variation is within the rating.
 - Take care that if a voltage exceeding the rated range is applied, or if an AC power supply is directly connected, the sensor may get burnt or damaged.
 - If power is supplied from a commercial switching regulator, ensure that the frame ground (F.G.) terminal of the power supply is connected to an actual ground.
 - Make sure to use the optional quick-connection cable for the connection of the amplifier [connector type **LS-501(P)**]. Extension up to total 100 m **328.084 ft** is possible with 0.3 mm², or more, cable. However, in order to reduce noise, make the wiring as short as possible. Set the supply voltage after considering the voltage drop caused by the cable's resistance.
- When adding units, wiring length must not exceed 50 m **164.042 ft** (for 5 to 8 amplifiers) or 20 m **65.617 ft** (for 9 to 16 amplifiers).

Others

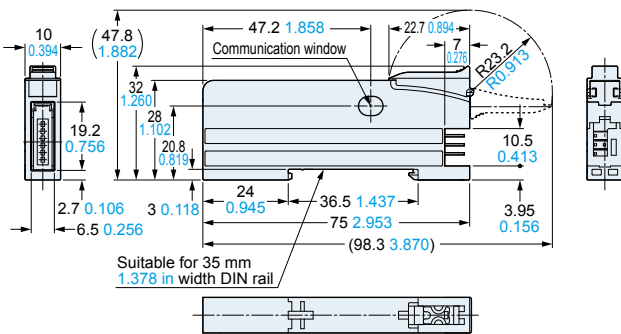
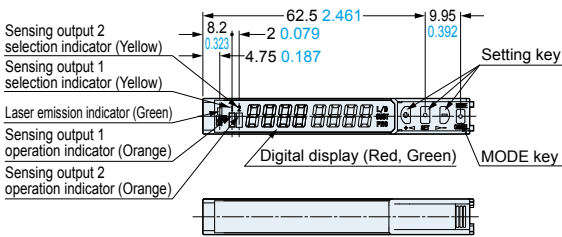
- Do not use during the initial transient time (0.5 sec. approx.) after the power supply is switched on.
- Because the sensitivity is higher in U-LG and HYPER modes than in other modes, it can be more easily affected by extraneous noise. Check the operating environment before use.

DIMENSIONS (Unit mm in)

The CAD data can be downloaded from our website.

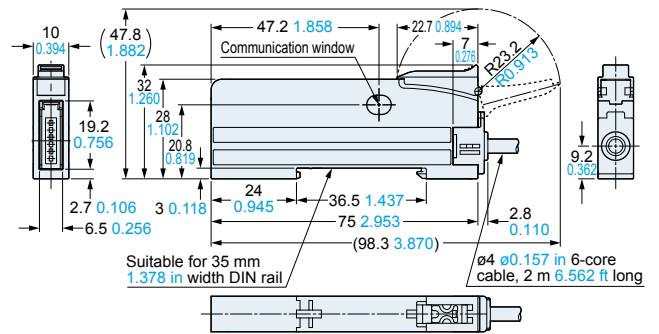
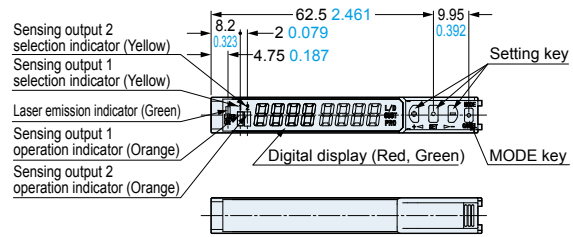
LS-501 LS-501P

Amplifier



LS-501-C2 LS-501P-C2

Amplifier

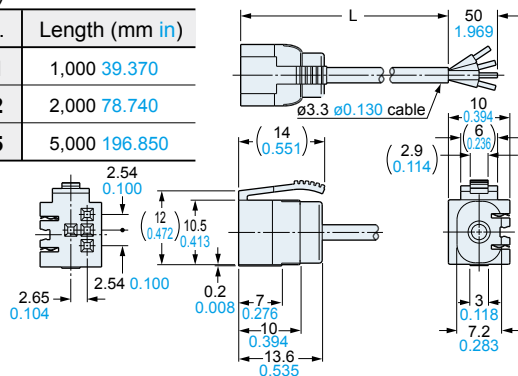


CN-74-C1 CN-74-C2 CN-74-C5

Main cable (Optional)

• Length (L)

Model No.	Length (mm in)
CN-74-C1	1,000 39.370
CN-74-C2	2,000 78.740
CN-74-C5	5,000 196.850

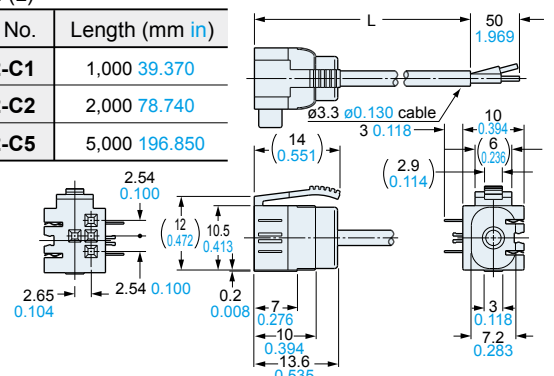


CN-72-C1 CN-72-C2 CN-72-C5

Sub cable (Optional)

• Length (L)

Model No.	Length (mm in)
CN-72-C1	1,000 39.370
CN-72-C2	2,000 78.740
CN-72-C5	5,000 196.850



FIBER SENSORS

LASER SENSORS

PHOTO-ELECTRIC SENSORS

MICRO PHOTO-ELECTRIC SENSORS

AREA SENSORS

SAFETY LIGHT CURTAINS / SAFETY COMPONENTS

PRESSURE / FLOW SENSORS

INDUCTIVE PROXIMITY SENSORS

PARTICULAR USE SENSORS

SENSOR OPTIONS

SIMPLE WIRE-SAVING UNITS

WIRE-SAVING SYSTEMS

MEASUREMENT SENSORS

STATIC CONTROL DEVICES

LASER MARKERS

PLC

HUMAN MACHINE INTERFACES

ENERGY MANAGEMENT SOLUTIONS

FA COMPONENTS

MACHINE VISION SYSTEMS

UV CURING SYSTEMS

Selection Guide

Amplifier Built-in

Amplifier-separated

LS-500

LS-400

DIMENSIONS (Unit mm in)

The CAD data can be downloaded from our website.

FIBER SENSORS

LASER SENSORS

PHOTO-ELECTRIC SENSORS

MICRO PHOTO-ELECTRIC SENSORS

AREA SENSORS

SAFETY LIGHT CURTAINS / SAFETY COMPONENTS

PRESSURE / FLOW SENSORS

INDUCTIVE PROXIMITY SENSORS

PARTICULAR USE SENSORS

SENSOR OPTIONS

SIMPLE WIRE-SAVING UNITS

WIRE-SAVING SYSTEMS

MEASUREMENT SENSORS

STATIC CONTROL DEVICES

LASER MARKERS

PLC

HUMAN MACHINE INTERFACES

ENERGY MANAGEMENT SOLUTIONS

FA COMPONENTS

MACHINE VISION SYSTEMS

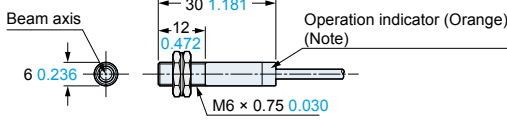
UV CURING SYSTEMS

Selection Guide

Amplifier Built-in

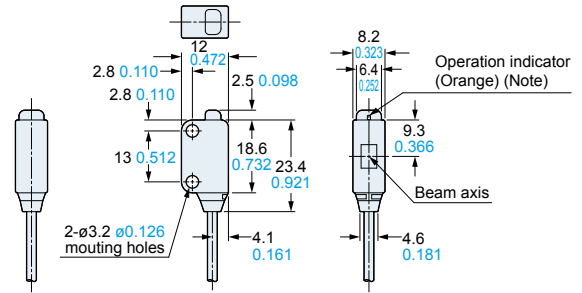
Amplifier-separated

LS-H101 □ Sensor head



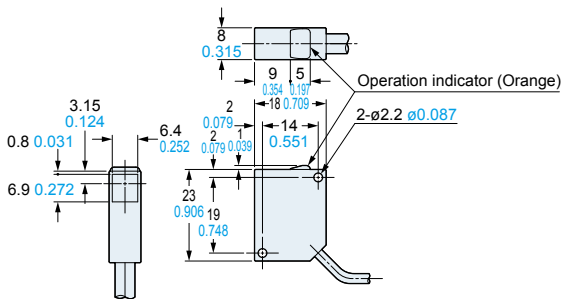
Note: Not incorporated on the emitter.

LS-H102 □ Sensor head

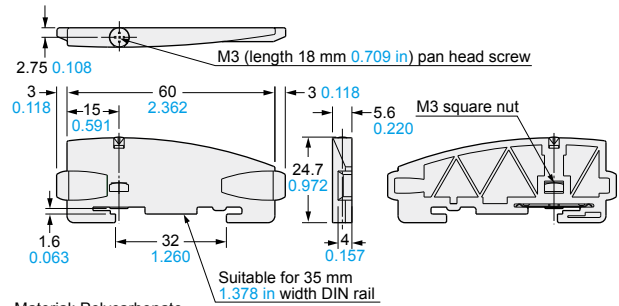


Note: Not incorporated on the emitter.

LS-H201 □ **LS-H901** □ Sensor head

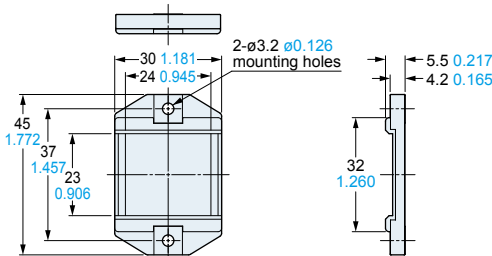


MS-DIN-E End plate (Optional)



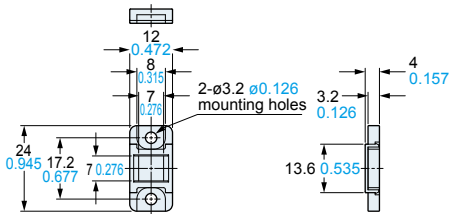
Material: Polycarbonate

RF-330 Reflector (Accessory for LS-H901 □)



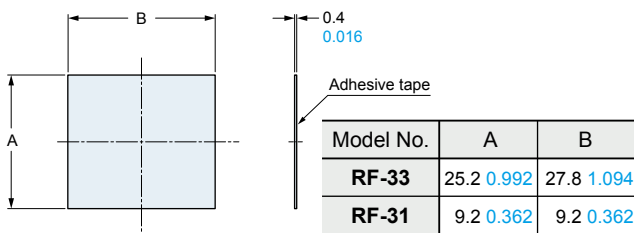
Material: Acrylic (Reflector)
ABS (Base)

RF-310 Reflector (Optional)

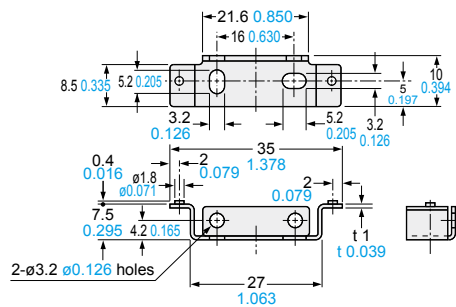


Material: Acrylic (Reflector)
ABS (Base)

RF-33 **RF-31** Reflective tape (Optional)



MS-DIN-2 Amplifier mounting bracket (Optional)

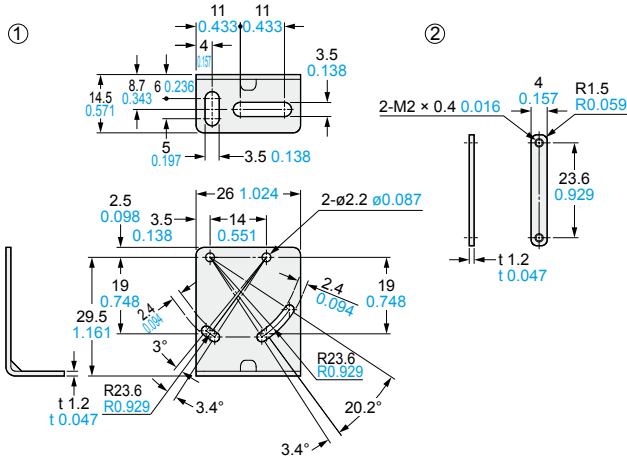


Material: Cold rolled carbon steel (SPCC)
(Uni-chrome plated)

DIMENSIONS (Unit mm in)

The CAD data can be downloaded from our website.

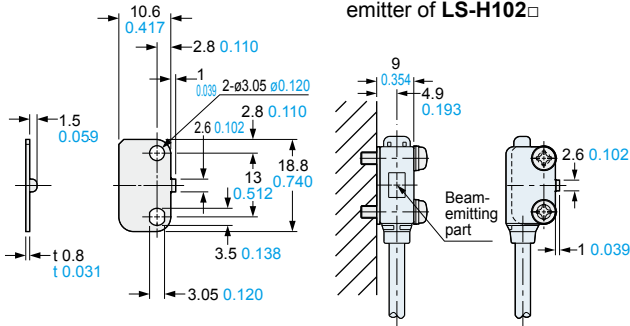
MS-LS-1 Sensor head mounting bracket (Accessory for LS-H201□, LS-H901□)



Material: Stainless steel (SUS304)
Two M2 (length 12 mm 0.472 in) screws with washers [stainless steel (SUS)] are attached.

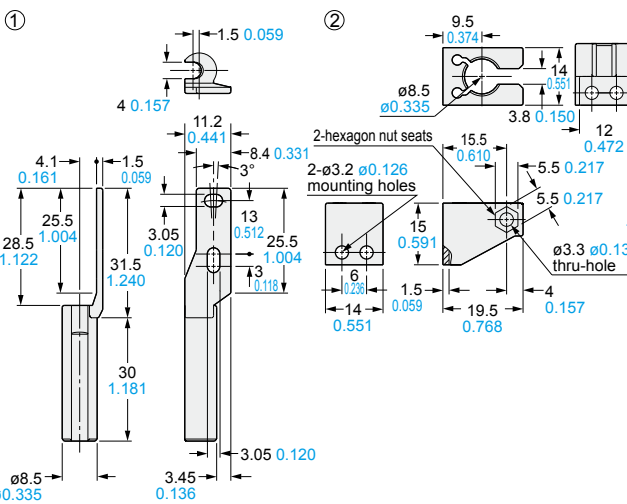
MS-EXL2-2 Mounting plate (Accessory for LS-H102□)

Assembly dimensions
Mounting drawing with the emitter of LS-H102□



Material: Stainless steel (SUS304)
Note: Without using the mounting plate, beam misalignment may occur. Purchase separately.

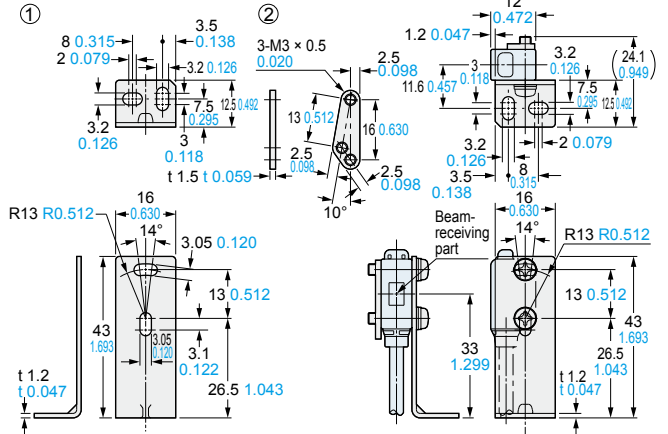
MS-EXL2-4 Universal sensor mounting bracket



Material: Die-cast zinc alloy
Two M3 (length 14 mm 0.551 in) screws with washers [stainless steel (SUS)], one M3 (length 10 mm 0.394 in) hexagon socket-head bolt [stainless steel (SUS)], and one M3 hexagon nut [stainless steel (SUS)] are attached.

MS-EXL2-1 Sensor head mounting bracket for LS-H102□ (Optional)

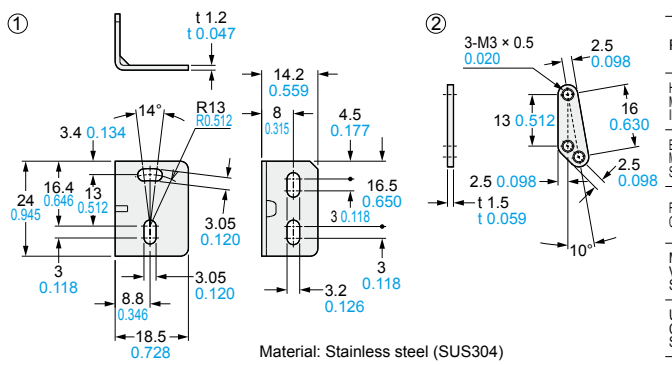
Foot angled mounting bracket
Assembly dimensions
Mounting drawing with the receiver of LS-H102□



Material: Stainless steel (SUS304)
Two M3 (length 14 mm 0.551 in) screws with washers [stainless steel (SUS)] are attached.

MS-EXL2-5 Sensor head mounting bracket for LS-H102□ (Optional)

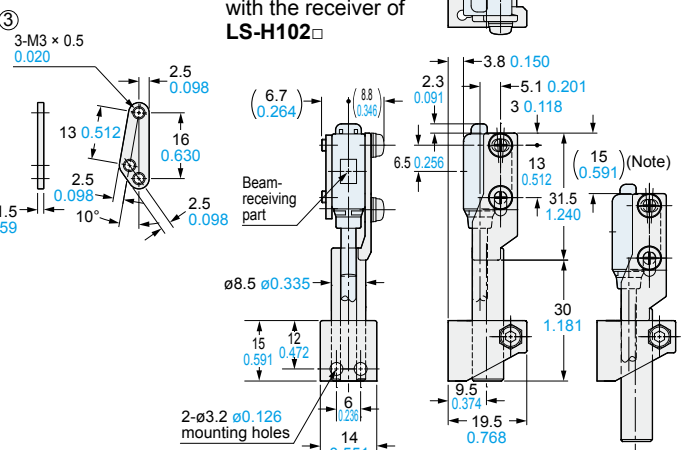
Back angled mounting bracket



Material: Stainless steel (SUS304)
Two M3 (length 14 mm 0.551 in) screws with washers [stainless steel (SUS)] are attached.

MS-EXL2-4 Sensor head mounting bracket for LS-H102□ (Optional)

Assembly dimensions
Mounting drawing with the receiver of LS-H102□



Note: This is the adjustable range of the movable part.

FIBER SENSORS

LASER SENSORS

PHOTO-ELECTRIC SENSORS

MICRO PHOTO-ELECTRIC SENSORS

AREA SENSORS

SAFETY LIGHT CURTAINS / SAFETY COMPONENTS

PRESSURE / FLOW SENSORS

INDUCTIVE PROXIMITY SENSORS

PARTICULAR USE SENSORS

SENSOR OPTIONS

SMALL WIRE-SAVING UNITS

WIRE-SAVING SYSTEMS

MEASUREMENT SENSORS

STATIC CONTROL DEVICES

LASER MARKERS

PLC

HUMAN MACHINE INTERFACES

ENERGY MANAGEMENT SOLUTIONS

FA COMPONENTS

MACHINE VISION SYSTEMS

UV CURING SYSTEMS

Selection Guide

Amplifier Built-in

Amplifier-separated

LS-500

LS-400