

PLEASE CHECK WWW.MOLEX.COM FOR LATEST PART INFORMATION

Part Number: [1718250100](#)
Status: **Active**
Overview: Super Sabre™ Connector System
Description: Super Sabre™ Female Crimp Terminal

Documents:

[Drawing \(PDF\)](#) [RoHS Certificate of Compliance \(PDF\)](#)

General

Product Family	Crimp Terminals
Series	171825
Application	Power, Signal
Crimp Quality Equipment	Yes
Overview	Super Sabre™ Connector System
Product Name	Super Sabre™
UPC	887191539317

Physical

Gender	Female
Material - Metal	Copper
Material - Plating Mating	Silver
Material - Plating Termination	Matte Tin, Nickel
Net Weight	0.497/g
Packaging Type	Reel
Wire Insulation Diameter	n/a
Wire Size AWG	10, 12
Wire Size mm²	N/A

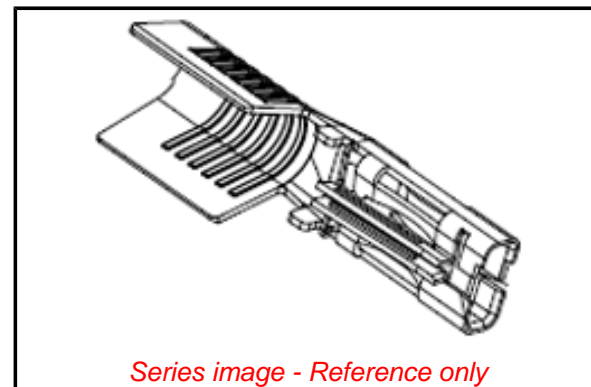
Solder Process Data

Lead-free Process Capability	N/A
------------------------------	-----

Material Info

Reference - Drawing Numbers

Sales Drawing	SD-171825-001
---------------	---------------



Series image - Reference only

EU ELV

Not Relevant

EU RoHS

Compliant

REACH SVHC

Not Contained Per -
ED/21/2016 (20 June
2016)

Halogen-Free

Status

Low-Halogen

Need more information on product environmental compliance?

Email productcompliance@molex.com
Please visit the [Contact Us](#) section for any non-product compliance questions.

China ROHS

ELV

Green Image

Not Relevant

Search Parts in this Series

[171825](#) Series

Mates With

[171826-0100](#)

Use With

[44441](#) 7.50mm Pitch Sabre™ Receptacle Crimp Housing

Application Tooling | FAQ

Tooling specifications and manuals are found by selecting the products below. Crimp Height Specifications are then contained in the Application Tooling Specification document.

Global

Description

Extraction Tool

Product #

[0638132700](#)

Hand Tool for Super-Sabre Crimp Terminals	<u>0638271600</u>
Hand Tool for Super-Sabre Crimp Terminals	<u>0638271700</u>
Mini-Mac™ Applicator for Super Sabre Female Terminals	<u>0638953200</u>

This document was generated on 07/14/2016

PLEASE CHECK WWW.MOLEX.COM FOR LATEST PART INFORMATION