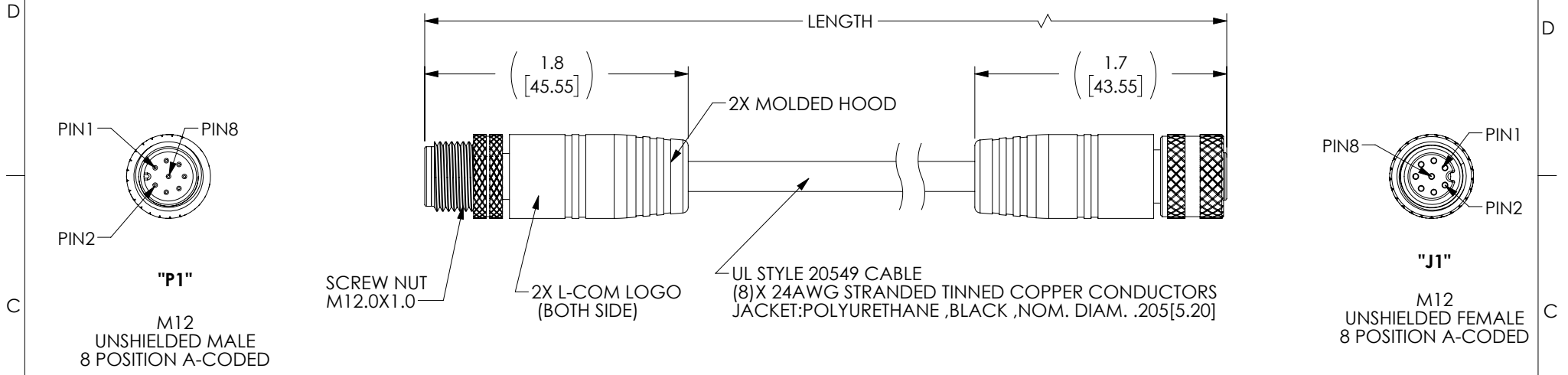


THE INFORMATION CONTAINED IN THIS DRAWING IS THE SOLE PROPERTY OF L-COM, INC. ANY REPRODUCTION IN PART OR WHOLE WITHOUT THE WRITTEN PERMISSION OF L-COM, INC. IS PROHIBITED.

REVISIONS			
REV	DESCRIPTION	DATE	APPROVED
A	REV A DRAWING RELEASED	04/18/2019	DGUTTADAUR



WIRING MAP

"P1"	"J1"
1	1 WHITE
2	2 BROWN
3	3 GREEN
4	4 YELLOW
5	5 GRAY
6	6 PINK
7	7 BLUE
8	8 RED

PART NUMBER	LENGTH	
	FEET	METERS
TRG883-P4B-05M	1.64	0.5
TRG883-P4B-1M	3.28	1.0
TRG883-P4B-2M	6.56	2.0
TRG883-P4B-3M	9.84	3.0
TRG883-P4B-5M	16.41	5.0
TRG883-P4B-10M	32.82	10.0

NOTES

MATERIAL:
MOLDED HOOD:THERMOPLASTIC POLYURETHANE,BLACK
INSULATOR:TPU,BLACK
SCREW NUT:BRASS, NICKEL PLATE
CONTACTS:PHOSPHOR BRONZE, 15μ" MIN. GOLD PLATE

ELECTRICAL:
NOMINAL VOLTAGE RATING:30 V AC/DC
MAX CURRENT:2A

APPLICATION:
INGRESS PROTECTION RATING IS IP67 (MATED).

ENVIRONMENTAL:
OPERATING TEMPERATURE RANGE: -25°C TO +80°C
CABLE JACKET RESISTANCE: OIL, SUNLIGHT, AND CHEMICAL RESISTANT
CABLE JACKET FLAME RATING:VW-1

MISCELLANEOUS
CABLE ASSEMBLIES TO BE TESTED FOR CONTINUITY
CABLE ASSEMBLY SHALL BE INDIVIDUALLY PACKAGED IN ACCORDANCE WITH L-COM SPECIFICATION PS-0031.

UNLESS OTHERWISE SPECIFIED, DIMENSIONS ARE IN INCHES [mm] OVERALL CABLE LENGTH TOLERANCE: ≤12 [305] = +1 [25] / -0 >12 [305] ≤60 [1524] = +2 [51] / -0 >60 [1524] ≤120 [3048] = +4 [102] / -0 >120 [3048] ≤300 [7620] = +6 [152] / -0 >300 [7620] = +5% / -0%	APPROVALS	DATE		50 HIGH STREET NORTH ANDOVER, MA 01845
	DRAWN BY DCUI	12/04/2018		
ALL OTHER DIMENSIONAL TOLERANCES: .X = ± .2 [5.08] .XX = ± .02 [51] .XXX = ±.005 [13]	CHECKED BY SPAN	12/04/2018	CATEGORY	
	APPROVED BY DGUTTADAUR	12/04/2018	TELECOM/MODULAR	
PROJECTION	CONFIGURATION DETAILS OF UNDIMENSIONED FEATURES MAY VARY	SIZE A	FSCM NO. 43321	DWG. NO. TRG883-P4B
	COLOR VARIATIONS MAY OCCUR	SCALE: NONE	CAD FILE: TRG883-P4B.SLDDRW	SHEET 1 OF 1