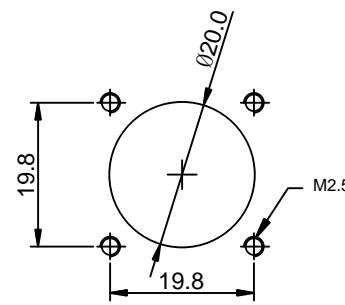
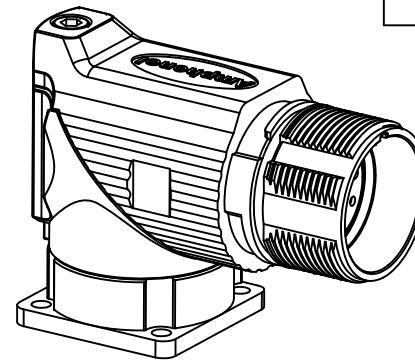
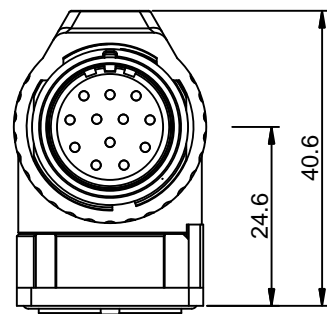
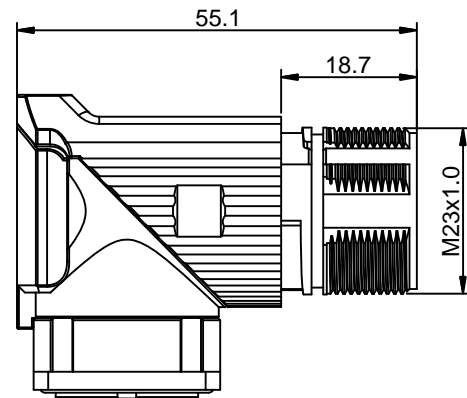
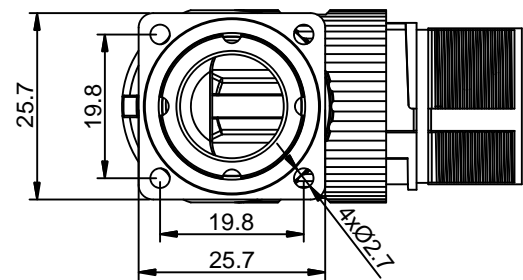


REVISIONS					
REV	ECO	DESCRIPTION	DATE	BY	APPR
A1	-	FIRST RELEASE	Oct 23, 2015	Drack	Tommy



MOUNTING HOLE



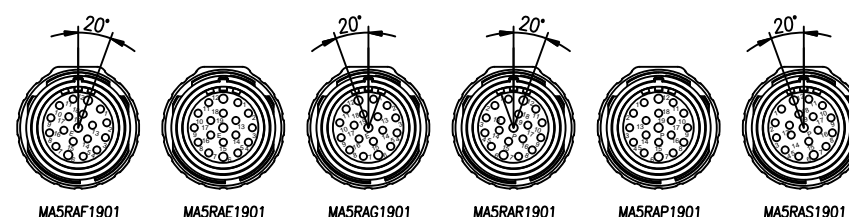
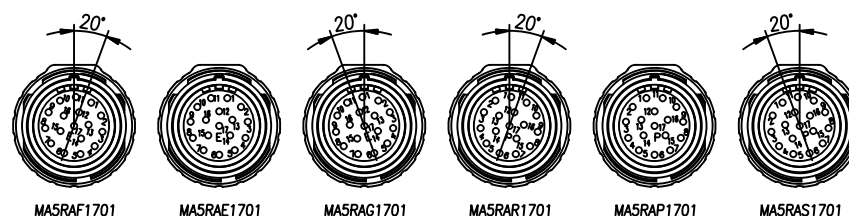
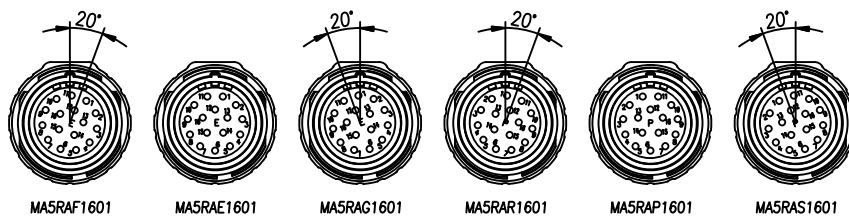
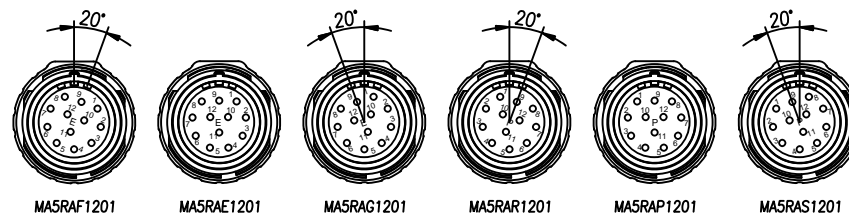
-	MA5RAS1901	M23, RECP, R/A, ROT, 19POS, P TYPE, KEYED "S"	27
-	MA5RAR1901	M23, RECP, R/A, ROT, 19POS, P TYPE, KEYED "R"	26
-	MA5RAP1901	M23, RECP, R/A, ROT, 19POS, P TYPE	25
-	MA5RAG1901	M23, RECP, R/A, ROT, 19POS, E TYPE, KEYED "G"	24
-	MA5RAF1901	M23, RECP, R/A, ROT, 19POS, E TYPE, KEYED "F"	23
-	MA5RAE1901	M23, RECP, R/A, ROT, 19POS, E TYPE	22
-	MA5RAS1701	M23, RECP, R/A, ROT, 17POS, P TYPE, KEYED "S"	20
-	MA5RAR1701	M23, RECP, R/A, ROT, 17POS, P TYPE, KEYED "R"	19
-	MA5RAP1701	M23, RECP, R/A, ROT, 17POS, P TYPE	18
-	MA5RAG1701	M23, RECP, R/A, ROT, 17POS, E TYPE, KEYED "G"	17
-	MA5RAF1701	M23, RECP, R/A, ROT, 17POS, E TYPE, KEYED "F"	16
-	MA5RAE1701	M23, RECP, R/A, ROT, 17POS, E TYPE	15
-	MA5RAS1601	M23, RECP, R/A, ROT, 16POS, P TYPE, KEYED "S"	13
-	MA5RAR1601	M23, RECP, R/A, ROT, 16POS, P TYPE, KEYED "R"	12
-	MA5RAP1601	M23, RECP, R/A, ROT, 16POS, P TYPE	11
-	MA5RAG1601	M23, RECP, R/A, ROT, 16POS, E TYPE, KEYED "G"	10
-	MA5RAF1601	M23, RECP, R/A, ROT, 16POS, E TYPE, KEYED "F"	9
-	MA5RAE1601	M23, RECP, R/A, ROT, 16POS, E TYPE	8
-	MA5RAS1201	M23, RECP, R/A, ROT, 12POS, P TYPE, KEYED "S"	6
-	MA5RAR1201	M23, RECP, R/A, ROT, 12POS, P TYPE, KEYED "R"	5
-	MA5RAP1201	M23, RECP, R/A, ROT, 12POS, P TYPE	4
-	MA5RAG1201	M23, RECP, R/A, ROT, 12POS, E TYPE, KEYED "G"	3
-	MA5RAF1201	M23, RECP, R/A, ROT, 12POS, E TYPE, KEYED "F"	2
-	MA5RAE1201	M23, RECP, R/A, ROT, 12POS, E TYPE	1

QUANTITY	PART NUMBER	DESCRIPTION	ITEM
----------	-------------	-------------	------

MATERIALS LIST			
UNLESS OTHERWISE SPECIFIED	SIGNATURES	DATE	<h1>Amphenol</h1> <p>Sine Systems - www.amphenol-sine.com 44724 Morley Drive Clinton Township, MI 48036</p>
1) All dimensions are in metric (mm). 2) Tolerances are as follows: 1 PL DEC ±0.30 2 PL DEC ±0.15 3 PL DEC ±0.08	Drack	Oct 23, 2015	
3) Note reference =	CHECKED:		
	ENGINEER:		
MATERIAL SPECIFICATIONS:	APPROVAL:		
PROCESS SPECIFICATIONS:	CUSTOMER:		
NEXT ASSY:	THIS DRAWING IS SUPPLIED FOR INFORMATION ONLY. DESIGN FEATURES, SPECIFICATIONS AND PERFORMANCE DATA SHOWN HEREON ARE THE PROPERTY OF THE AMPHENOL CORPORATION. NO RIGHTS OF REPRODUCTION ARE IMPLIED. ALL DIMENSIONS ARE SUBJECT TO NORMAL MANUFACTURING VARIATIONS.		
	SIZE	TYPE	DWG NO.
	B	C-	MA5Rxxx01
	SCALE: NONE		REVISION A1
		C-MA5Rxxx01	SHEET 1 OF 1

NOTES: UNLESS OTHERWISE SPECIFIED

- MATERIAL:
INSULATION INSERT: PA66,UL94 V0
SEAL: VITON
HOUSING BODY: ZINC DIE CAST, NICKEL PLATED
- SPECIFICATIONS:
 - CURRENT RATING: 10 AMPS - 12 POSITION
9 AMPS - 16 POSITION
9 AMPS - 17 POSITION
7 AMPS - 19 POSITION
 - VOLTAGE RATING: 160V AC/DC - 12 POSITION
125V AC/DC - 16 POSITION
125V AC/DC - 17 POSITION
63V AC/DC - 19 POSITION
 - OPERATING TEMPERATURE: -20°C TO +130°C
 - DIELECTRIC WITHSTANDING VOLTAGE: LESS THAN 2 MILLIAMPS CURRENT LEAKAGE @ 2500 VOLTS AC.
 - DEGREE OF PROTECTION: IP67 (MATED CONDITION)
 - DEGREE OF POLLUTION: 3 PER UL840
 - OVERVOLTAGE CATEGORY: III PER UL840
 - MATING CYCLE DURABILITY: >500 CYCLES
 - RoHS COMPLIANT
- ALL DIMENSIONS ARE FOR REFERENCE USE ONLY.



TITLE: M23, RECEPTACLE, ANGLED, ROTATABLE, CHECKMATE
DWG NO: MA5Rxxx01
REV: A1
SH: 1
OF: 1