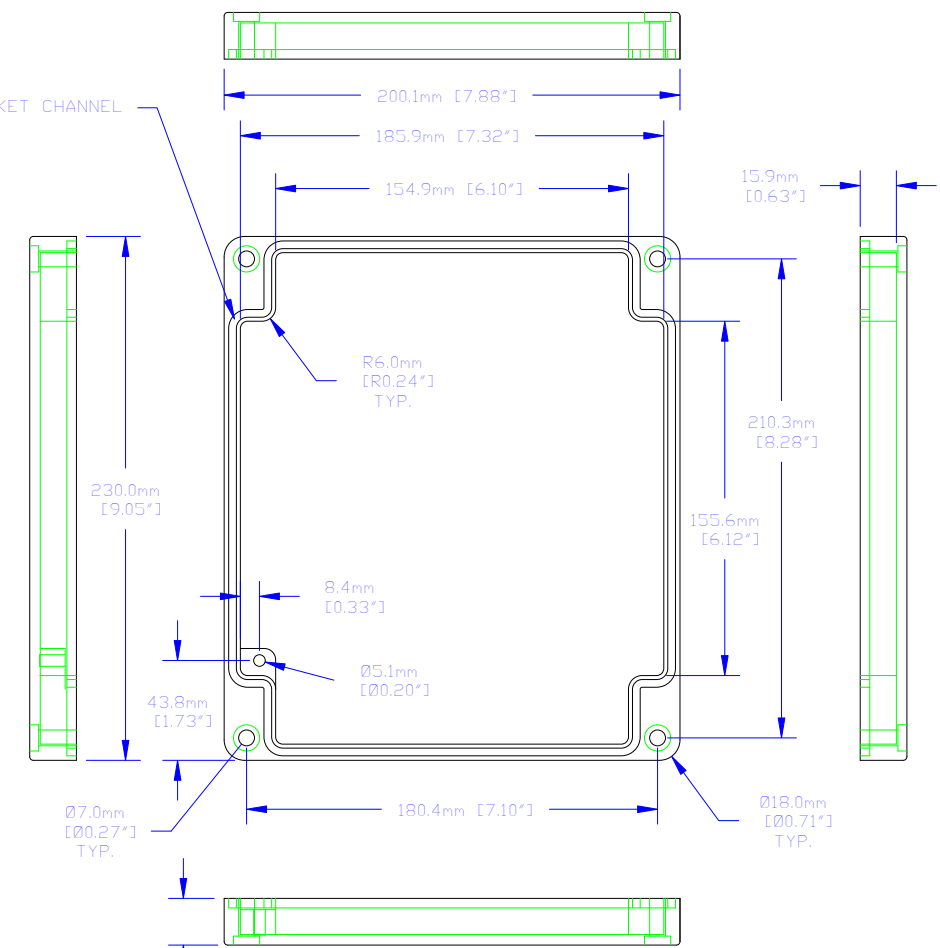
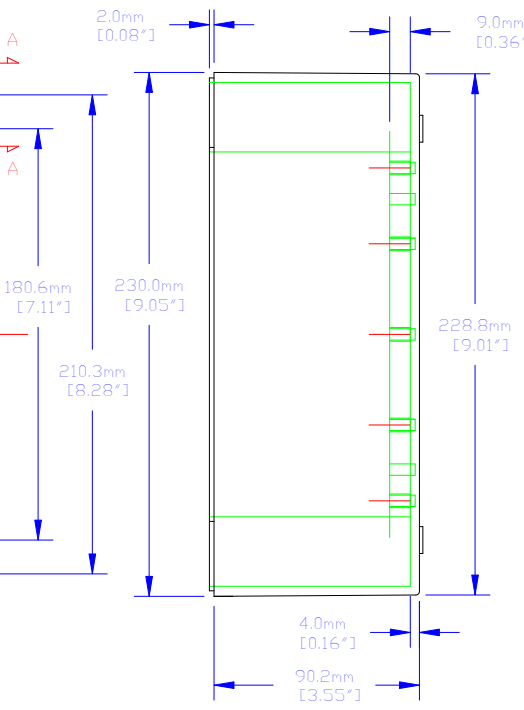
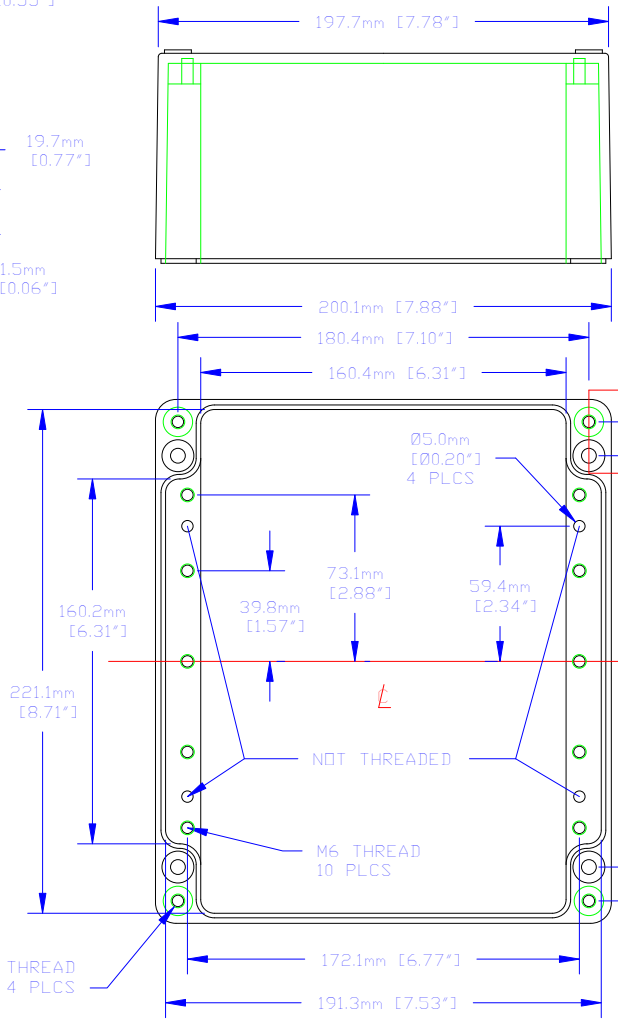
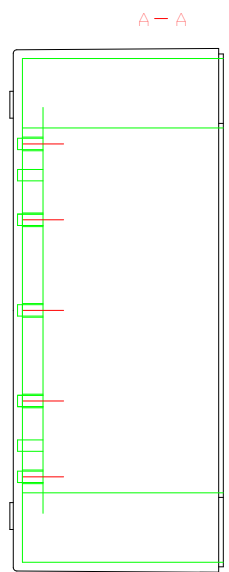
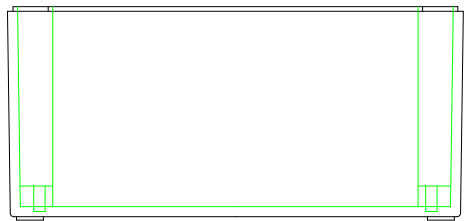


NOTES

DESIGNED TO MEET THE REQUIREMENTS OF IP65, & NEMA 4X
 TONGUE & GROOVE CONSTRUCTION WITH A MOLDED ONE PIECE SILICON GASKET.
 COMES WITH 4 STAINLESS STEEL MACHINE LID SCREWS, CAPTIVATED WITH 4 RUBBER O-RINGS.
 COMES WITH 4 GROUNDING SCREWS AND WASHERS.
 FINISH: NONE OR SUFFIX "BK" BLACK, OR SUFFIX "GY" GRAY (RAL 7001) POLYESTER POWDER



SIDE VIEWS DO NOT DETAIL
 SCREW CHANNELS SEE
 "A - A" FOR CHANNEL DETAIL



BOX

LID

For the best fit print
 on legal size paper.

THIS DRAWING IS PROPRIETARY INFORMATION OF
 HAMMOND MFG.CO.LTD. NOT TO BE USED WITHOUT
 EXPRESSED WRITTEN PERMISSION
 OF HAMMOND MFG.CO.LTD.

Rev	ECN	Description	Date	By
	N/A	RELEASE	09/27/02	MJM

Unless otherwise spec'd
 dimensions are in
 millimeters Tolerances are:

X	±2.5
.XX	±1.50
.XXX	±1.00
.XXXX	±1.300
Holes	±1.300
Angles	±5°

Dwn	M. MERCER
Date	09/27/02
Chk	---
Mat'l	CAST ALUMINUM
Sheet	1 of 1

HAMMOND MANUFACTURING CO. LTD. Electronics Group, Waterloo, Ont. - Cheektowaga, NY	HAMMOND 1590Z SERIES CASTED AL ENCLOSURES	
	Part #	1590Z231
	Dwg #	1590Z231/A