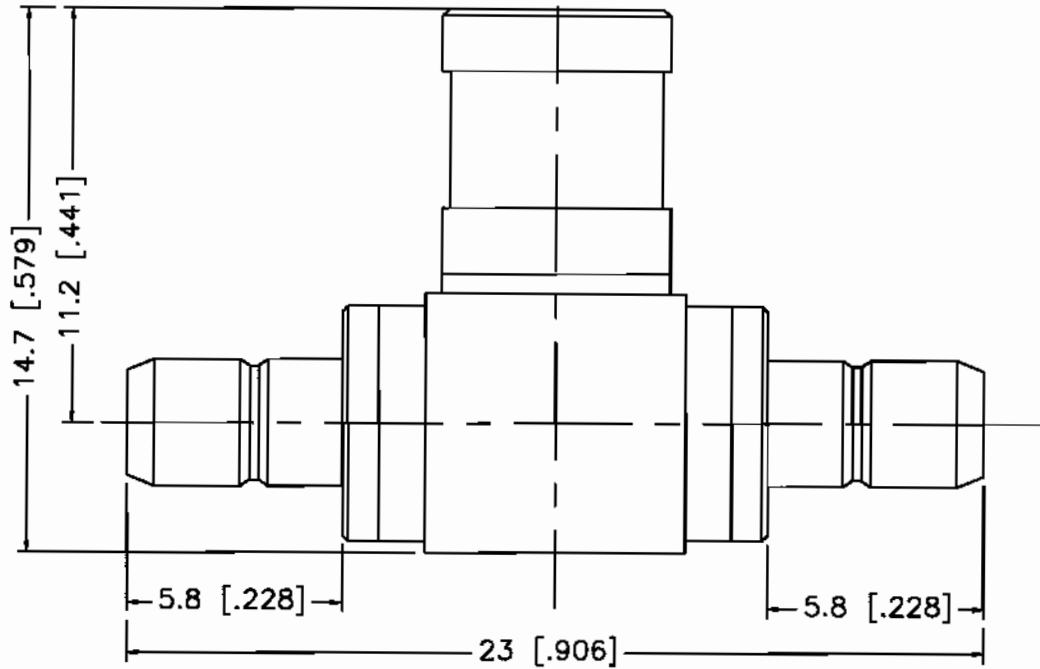



REV.	DATE	DESCRIPTION
NC	12/09/00	INITIAL RELEASE



DESCRIPTION	MATERIAL	FINISH	UNLESS OTHERWISE SPECIFIED DIMENSIONS ARE IN MILLIMETERS	APPROVALS	DATE							
1	CONT. SOCKET	BER. COPPER	GOLD	<small>UNLESS OTHERWISE SPECIFIED TOLERANCES FOR MILLIMETERS ARE: 0.5-6 = ± 0.2 6-30 = ± 0.4 30-120 = ± 0.6 120-315 = ± 1 315-1000 = ± 1.6 1000-2000 = ± 2.4</small>	DRAWN	G.R.S.	12/09/00	TITLE		SMB "T" ADAPTOR JACK-PLUG-JACK	REV.	
2	BODY	BRASS	GOLD		CHECKED			SIZE	FSCM NO.	DWG. NO.	NC	
3	INSULATOR	TEFLON	NATURAL		ISSUED			A	99001	142300.DWG		
4	CONTACT PIN	BRASS	GOLD					SCALE	NA	PART NO.	142300	SHEET
5												1 OF 1
6												
7												
8					DO NOT SCALE DRAWING							