

FELLER GMBH

A-2525 GUENSELSDORF, AUSTRIA - TEL.: .. 43(2256) 62 32 50 - FAX: .. 43 (2256) 62 32 57
e-mail: sales@feller-at.com <http://www.feller-at.com>

Description: BS13/5-H05VVF3G0,75-C5/ 2,00m, black

(UK2)

Rating of cord set: 2,5A, 250Vac

1. PLUG: Type BS13/5

Molded plug according to : BS 1363/A
Rated current and voltage : 5A,250V AC with replaceable fuse 5A
Plugbase : Thermoplastic polyester (PBT) GFR
Pins : Line & neutral:solid brass,nickel-Plated,
part insulated,Grounding: solid brass,nickel-plated
Pin dimensions : Line&neutral 6,35mmx4,00mm,Grounding 7,90mmx4,00mm
Construction : Double insulation
Outer mold : PVC compound, hardness Shore A75-77
Approvals : ASTA,PSB verification SS145

2. CORD: Type H05VVF3G0,75 mm²

Flexible cord according to : HD21.S2; AS 3191
Marked : *JF*<ÖVE><HAR>H05VVF3G0,75mm²*N1095*CE
*CCC 227 IEC 53(RVV)300/500 3x0,75*VCTF3CX0,75mm²
Number of cores : 3
Conductor construction : 23 X 0,20 mm O.D. 1,10 mm
Conductor insulation : Extruded PVC,O.D.2,30 mm
Jacket : Extruded PVC,O.D.6,60 mm +/- 0,20mm
Resistance of conductors : max. 26 Ω/km
Dielectric strength : 2000 Vac, 1min.
Insulation resistance : 500Vdc>50Mohms
Color of conductors : yellow/green,brown,blue
Approvals : HARMONIZED,VDE,ÖVE,CEBEC,KEMA,S,D,N,FI,
SEV,LCIE,IMQ,BSI,SAA,UCIEE,CCC,KTL

3. CONNECTOR: Type C5

Molded connector according to : EN 60320/C5, UL817
Rated current and voltage : 2,5 A, 250 V AC
Construction : double insulation
Contacts of the connection : phosphor bronze CuSn6
Inner insulation : PPO GFR
Outer mold : PVC compound, hardness Shore A 75-77
Approvals : ENEC,UL,CSA

Environmental conformity

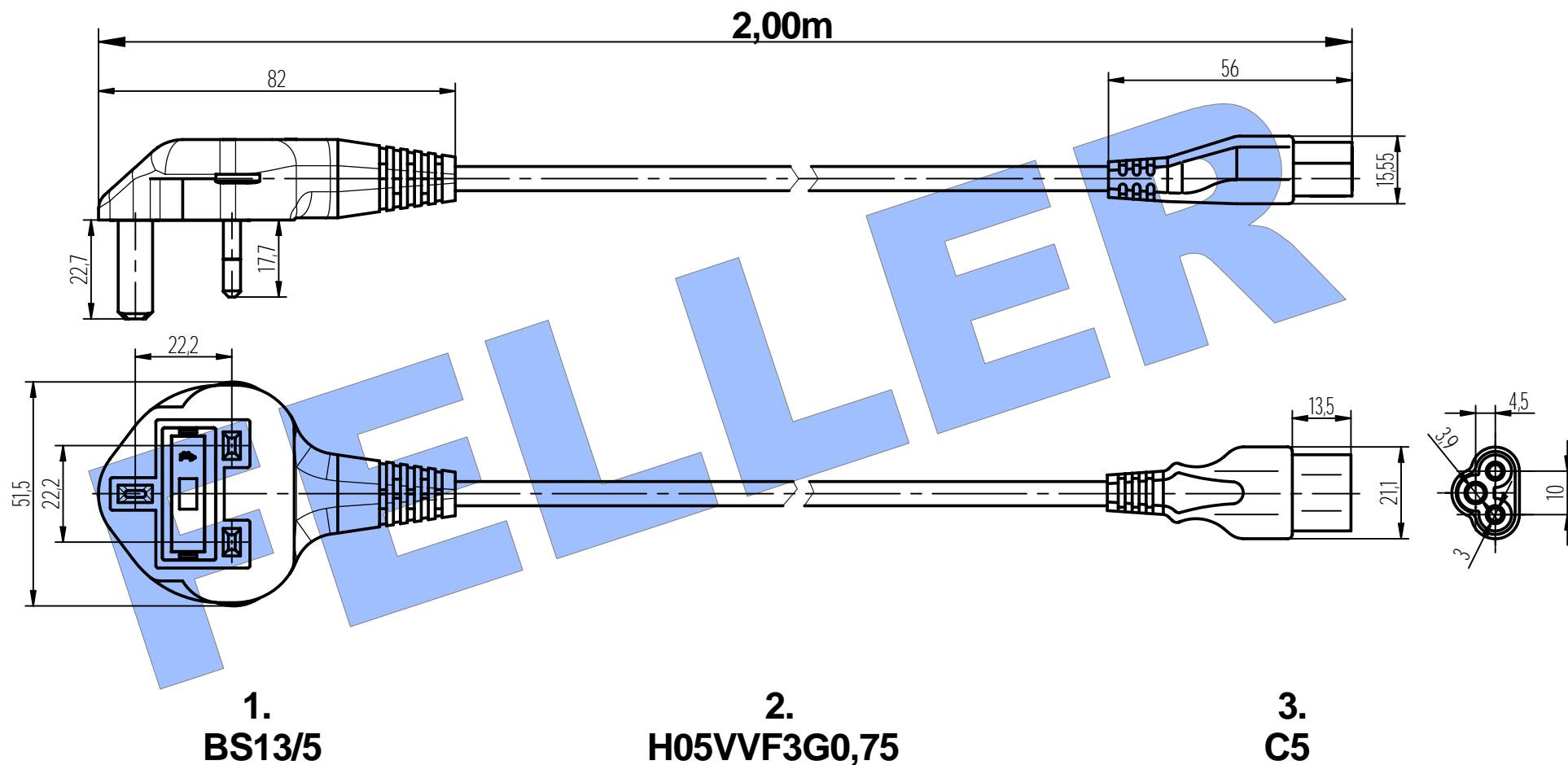
: EU-Directive 2002/96/EC (WEEE)
EU-Directive 2003/11/EC (Council Directive 76/769/EEC)
EU-Directive 2002/95/EC (RoHS-compliant)

TESTING

Electrical testing : 100%
Visual inspection : 100%
High pot test wire to wire : 3.000Vac for 2 sec.
Continuity test : depends on fuse current
Polarity test : yes
Skin high pot test : 6.000Vac line to skin

Tolerances not indicated in the drawing: +/- 2 %
design subject to change without prior notice

DATE of ISSUE:	July, 2005		
REV: 1	1	ORIG:	mk



Feller Type: BS13/5-H05VVF3G0,75-C5 / 2,00m black (UK2)

RoHS compliant

17.06.05

All dimensions in mm

FELLER 

A-2525 Günselsdorf, Austria

Telefon 0043-2256-62325-0

Fax:0043-2256-62325-7

email: sales@feller-at.com

http://www.feller-at.com