

# A2531060

ROUND KNOB 31, without line

Suitable for rotary potentiometer with round shaft ends according to DIN 41591. Collet system for convenient knob assembly from the front and simple adjustment (with adjustment key - sep. article). Continuous center hole.  
 Max. torque: assembly = 1,8 Nm, function = 1,6 Nm.

**Supply**

1 round knob



**TECHNICAL DATA**

Material	ABS (UL 94 HB)	Diameter	31 mm
Colour	black RAL 9005	Height	15 mm
Standards	RoHS compliant, REACH compliant	Bore hole	6 mm

Please take the dimensions from current parts. These are subject to material- and manufacturing-specific tolerances.

**PURCHASING DATA**

Weight/1 part	8 g
Customs tariff number (OKW product)	84879090
Country of manufacture	Germany

**CUSTOMISING OPTIONS**

What else do you need to create your own personal product? We can supply our enclosures and tuning knobs fully modified to suit your electronic components and design requirements. Please advise for anything else we can do for you.

# A2531060

ROUND KNOB 31, without line

Customising options for A2531060



Machining



Printing



Installation / Assembly  
of accessories

# A2531060

ROUND KNOB 31, without line

## SYSTEM COMPONENTS TO COMPLETE



**A4131000**  
Cover 31, without line  
ABS (UL 94 HB)  
black RAL 9005



**A4131002**  
Cover 31, without line  
ABS (UL 94 HB)  
red RAL F12/0-10



**A4131005**  
Cover 31, without line  
ABS (UL 94 HB)  
green RAL F12/0-43



**A4131006**  
Cover 31, without line  
ABS (UL 94 HB)  
light blue RAL 5012



**A4131007**  
Cover 31, without line  
ABS (UL 94 HB)  
pebble grey RAL 7032



**A4131008**  
Cover 31, without line  
ABS (UL 94 HB)  
dusty grey RAL 7037



**A4131100**  
Cover 31, with line  
ABS (UL 94 HB)  
black RAL 9005



**A4131102**  
Cover 31, with line  
ABS (UL 94 HB)  
red RAL F12/0-10



**A4131108**  
Cover 31, with line  
ABS (UL 94 HB)  
dusty grey RAL 7037

## ACCESSORY "SCREWS"



**A6207009**  
Round nut M7 x 0.75



**A6210009**  
Round nut M10 x 0.75



**A6295009**  
Round nut 3/8"-32G



**A6300000**  
Spanner

# A2531060

ROUND KNOB 31, without line

## ACCESSORY



**A4231000**  
 Arrow disk 31  
 ABS (UL 94 HB)  
 black RAL 9005



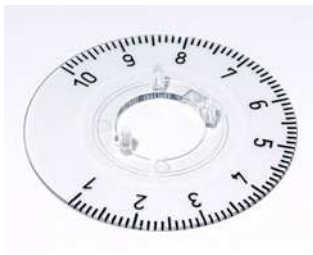
**A4231002**  
 Arrow disk 31  
 ABS (UL 94 HB)  
 red RAL F12/0-10



**A4231008**  
 Arrow disk 31  
 ABS (UL 94 HB)  
 dusty grey RAL 7037



**A4431010**  
 Dial 31  
 PC (UL 94 HB)  
 transparent



**A4431060**  
 Dial 31  
 PC (UL 94 HB)  
 transparent



**A6403005**  
 Adjusting key 20/23/31  
 ABS (UL 94 HB)  
 green



**A6600064**  
 Torsion protection 6/4.6

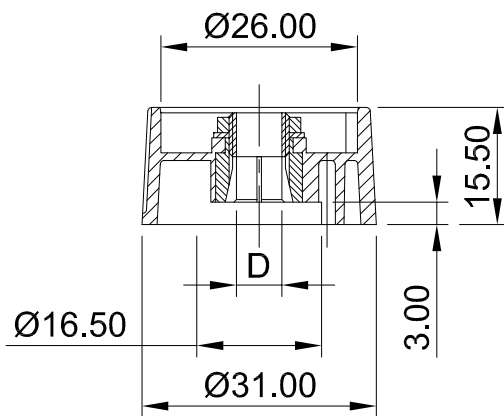


**A7331000**  
 Disk 31, without line  
 ABS (UL 94 HB)  
 black RAL 9005



**A7331010**  
 Disk 31, with line  
 ABS (UL 94 HB)  
 black RAL 9005

Subject to technical modification without notice. © by OKW Gehäusesysteme, Buchen/Germany.



**Informationskopie**  
**Copy for Information**  
 will not be updated  
 wird nicht aktualisiert

Technische Änderungen vorbehalten. Irrtümer und Druckfehler begründeten keinen Anspruch auf Schadenersatz. Wichtige Einbaumaße bitte direkt mit dem aktuellen Produkt abstimmen.

Subject to technical modification without prior notice. Typographical and other errors do not justify any claim for damages. All dimensions should be verified using an actual moulded part.

Sous réserve de modifications techniques. Toute erreur ou faute d'impression ne justifie aucune demande d'indemnisation. Nous prions les clients de vérifier les dimensions des composants avec les boîtiers avant le montage.

Bearb. am: 01.03.94  
 Ersteller: HASSELB  
 Freigabe:  
 Rev. Index: 2  
 Stand: 07.05.04

**OKW**  
**GEHÄUSE**  
**SYSTEME**

Material:

Farbe:

This document contains proprietary information of OKW Gehäusesysteme GmbH and is tendered subject to the conditions that the information be retained in confidence not be reproduced or copied and not be used or incorporated in any product.

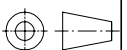
**KOMBI**  
**ROUND KNOB 31**

**A2\*31\*\*\***

Für dieses Dokument behalten wir uns alle Urheberrechte vor. Es darf auch auszugsweise weder vervielfältigt noch Dritten in irgendeiner Form zugänglich gemacht werden.

Toleranzen:  
 DIN 16901 T130

Zeichnungsart:  
 KATALOG



DIN 6 Teil 2

Maßstab:

1:1

Bearbeiter:  
 Hasselb

Dateiname:  
 000848-5