



ATC6 USB front interface Accessory for ATC6300 and ATC6500 pluggable for front-side parameter assignment contains USB adapter and mini USB cable Cable length 1.8 m

Model	
product brand name	SETRON
product designation	Accessories for transfer control device
design of the product	ATC6 USB front interface
type of voltage supply	Powered through the USB port
General technical data	
operating temperature	
• minimum	-30 °C
• maximum	70 °C
Supply voltage	
supply voltage at DC	5 V
Protection class	
protection class IP on the front	IP20
Dissipation	
power loss [W] at DC maximum	0.5 W
Product details	
product feature of enclosure material	Polyamide
Connections	
type of electrical connection	Plug-in
Mechanical Design	
height	11 mm
width	32 mm
depth	47 mm
net weight	90 g
Environmental conditions	
relative humidity reference value	80 %
ambient temperature during storage	
• minimum	-30 °C
• maximum	80 °C
Certificates	
reference code	
• according to EN 61346-2	K
• according to IEC 81346-2	K
General Product Approval	
Declaration of Conformity	
other	

[Confirmation](#)

[Miscellaneous](#)



[Miscellaneous](#)

[Confirmation](#)

Further information

Siemens has decided to exit the Russian market (see here).

<https://press.siemens.com/global/en/pressrelease/siemens-wind-down-russian-business>

Siemens is working on the renewal of the current EAC certificates.

Please contact your local Siemens office on the status of validity of the EAC certification if you intend to import or offer to supply these products to an EAC relevant market (other than the sanctioned EAEU member states Russia or Belarus).

Information on the packaging

<https://support.industry.siemens.com/cs/ww/en/view/109813875>

Information- and Downloadcenter (Catalogs, Brochures,...)

<http://www.siemens.com/lowvoltage/catalogs>

Industry Mall (Online ordering system)

<https://mall.industry.siemens.com/mall/en/en/Catalog/product?mlfb=3KC9000-8TL73>

Service&Support (Manuals, Certificates, Characteristics, FAQs,...)

<https://support.industry.siemens.com/cs/ww/en/ps/3KC9000-8TL73>

Image database (product images, 2D dimension drawings, 3D models, device circuit diagrams, ...)

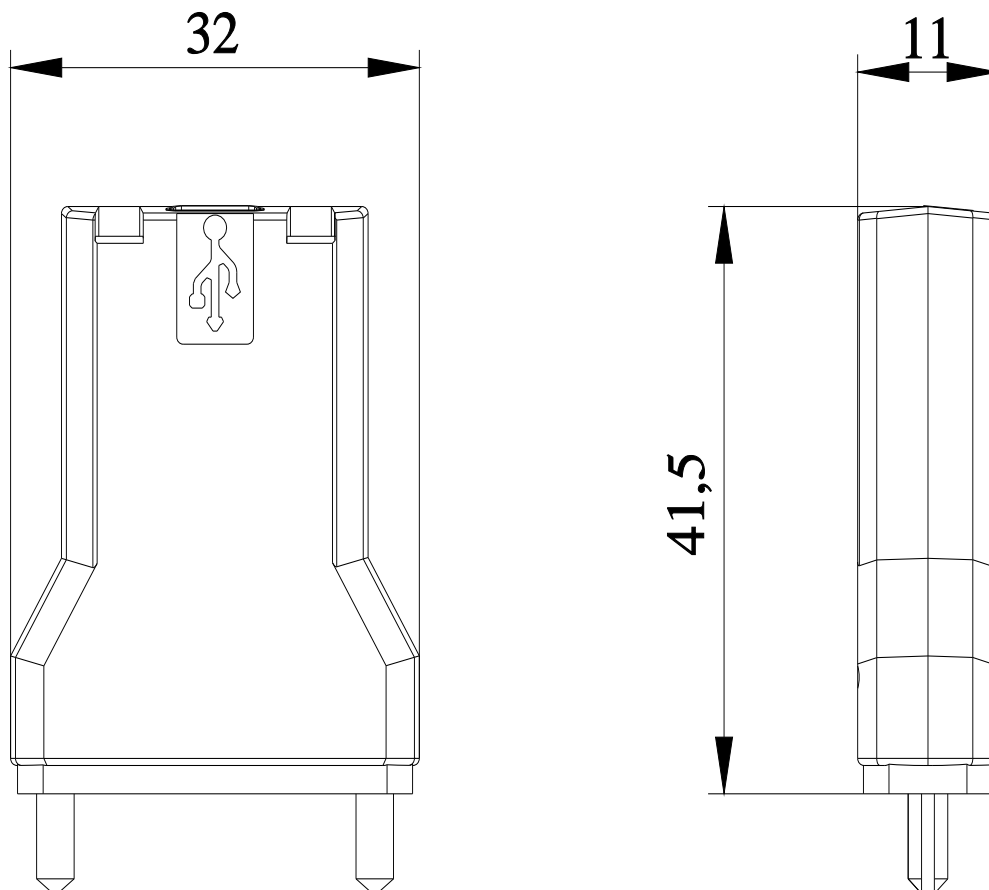
http://www.automation.siemens.com/bilddb/cax_en.aspx?mlfb=3KC9000-8TL73

CAX-Online-Generator

<http://www.siemens.com/cax>

Tender specifications

<http://www.siemens.com/specifications>



last modified:

12/19/2020

