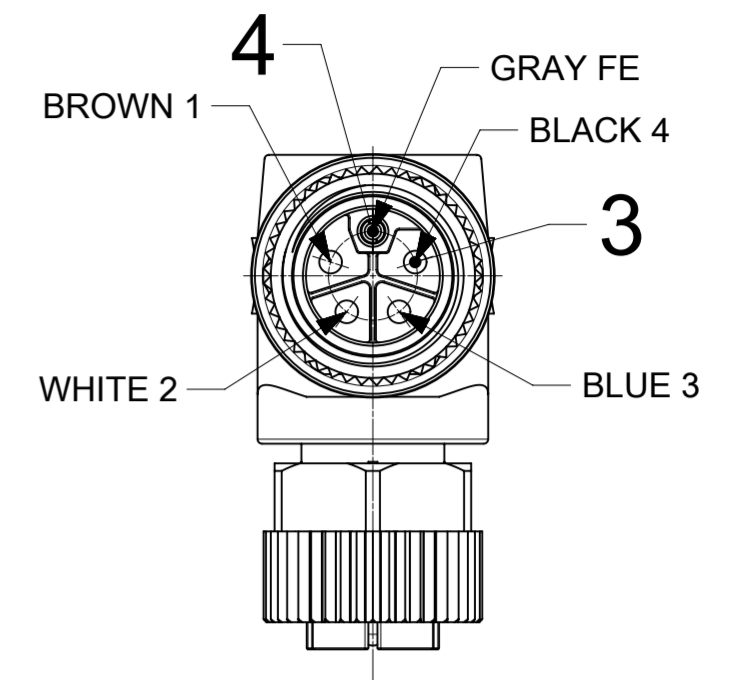


MATING SIDE
MALE CONNECTOR



MATING SIDE
FEMALE CONNECTOR

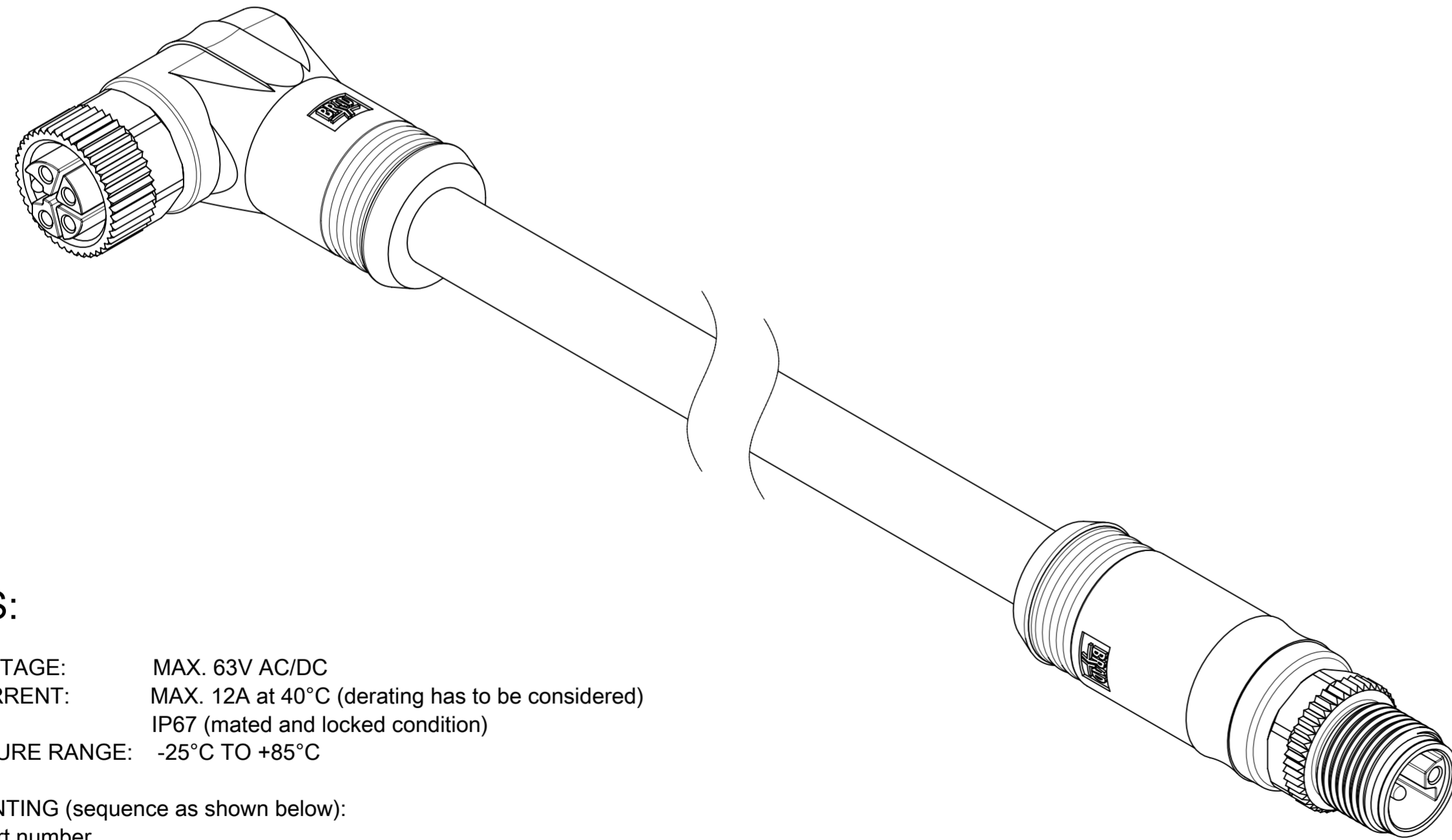
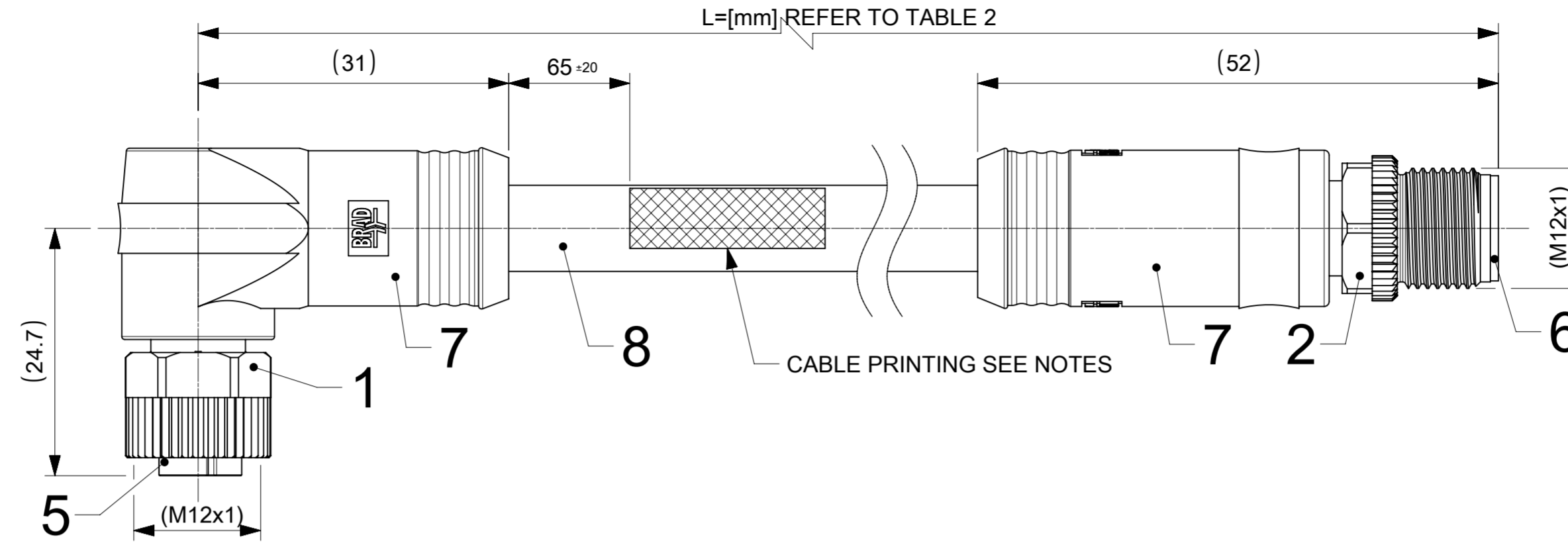
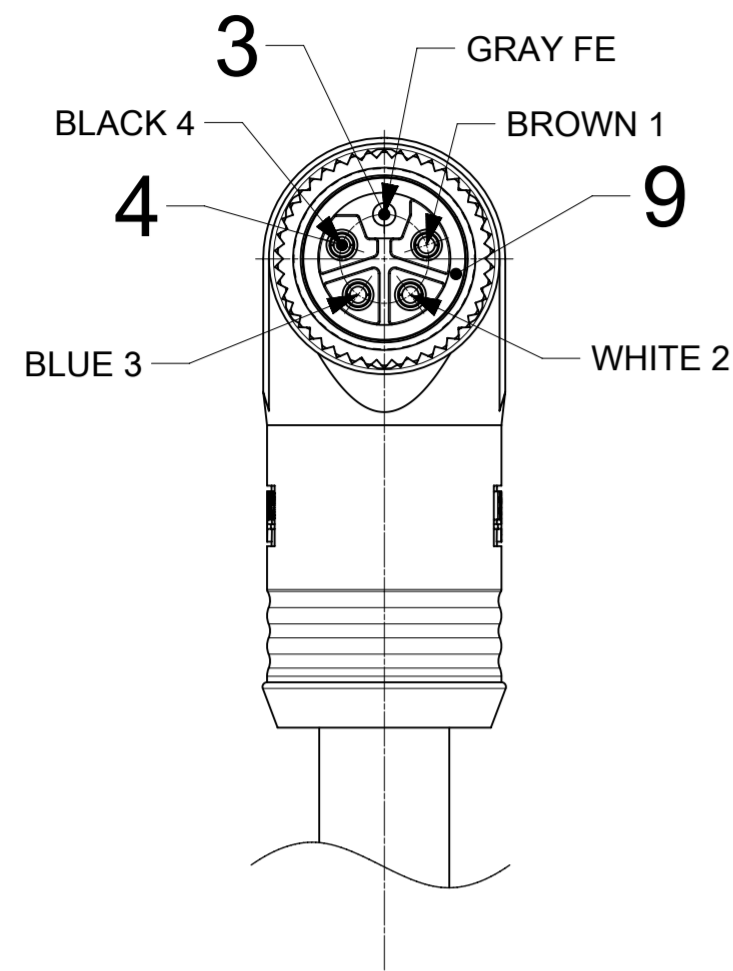


TABLE 1

POS	DESCRIPTION	MATERIAL	FINISH
1	NUT M12 FE	BRASS	Ni
2	NUT M12 MA	BRASS	Ni
3	CONTACT 15 MA	BRASS	Au
4	CONTACT 15 FE	BRASS	Au
5	INSERT FEMALE	PA	GREY
6	INSERT MALE	PA	GREY
7	OVERMOLD	TPE	BLACK
8	CABLE 5x1.5 D8.6 WSOR	PUR	GREY
9	GASKET OR 8.2X1.25	FKM	BLACK
OPTIONAL 10	ID CARRIER	-	-

NOTES:

RATED VOLTAGE: MAX. 63V AC/DC
 RATED CURRENT: MAX. 12A at 40°C (derating has to be considered)
 IP RATING: IP67 (mated and locked condition)
 TEMPERATURE RANGE: -25°C TO +85°C

CABLE PRINTING (sequence as shown below):

- MOLEX part number
- "Made in " COUNTRY OF ORIGIN
- MOLEX AND DATE OF MANUFACTURING (YY=YEAR; WW=WEEK): MXYYYWW
- Not for current interrupting

PART ACCORDING PRODUCT SPEC: 1205010169
 PACKAGING ACCORDING PACKAGING SPEC: 1201202000

THIS DRAWING CONTAINS INFORMATION THAT IS PROPRIETARY TO MOLEX ELECTRONIC TECHNOLOGIES, LLC AND SHOULD NOT BE USED WITHOUT WRITTEN PERMISSION									
FUNCTIONAL SYMBOLS	DIMENSION UNITS	SCALE	CURRENT REV DESC: UPDATED ATTRIBUTE TO GENERAL MARKET IN ECTR						
$\nabla_A = 0$	mm	2:1	EC NO: 735577 DRWN: NIKHIS3 CHK'D: RSILLER APPR: RSILLER 2023/01/12 2023/01/19 2023/01/19 INITIAL REVISION: DRWN: FDAFERNER APPR: RSILLER 2020/08/19 2022/12/05						
$\nabla_C = 0$	GENERAL TOLERANCES (UNLESS SPECIFIED)								
$\nabla_P = 0$	ANGULAR TOL $\pm 1.0^\circ$								
DIVISIONAL SYMBOLS	4 PLACES	\pm							
	3 PLACES	\pm	CSE M12 5P LC FE RA MA STR WSOR GY XM						
	2 PLACES	± 0.05	PRODUCT CUSTOMER DRAWING						
	1 PLACE	± 0.3	DOCUMENT NUMBER				DOC TYPE	DOC PART	REVISION
	0 PLACES	± 0.5	1205010208				PSD	000	A1
	DRAFT WHERE APPLICABLE MUST REMAIN WITHIN DIMENSIONS		THIRD ANGLE PROJECTION	DRAWING	SERIES	MATERIAL NUMBER	CUSTOMER	SHEET NUMBER	
				A2-SIZE	120501	SEE TABLE 2	GENERAL MARKET	1 OF 2	

DOCUMENT STATUS	P1	RELEASE DATE	2023/01/19	11:13:49
-----------------	----	--------------	------------	----------

ENGINEERING NO - NUMERICAL CODE (Available parts see PART LIST table. Other parts available upon request).

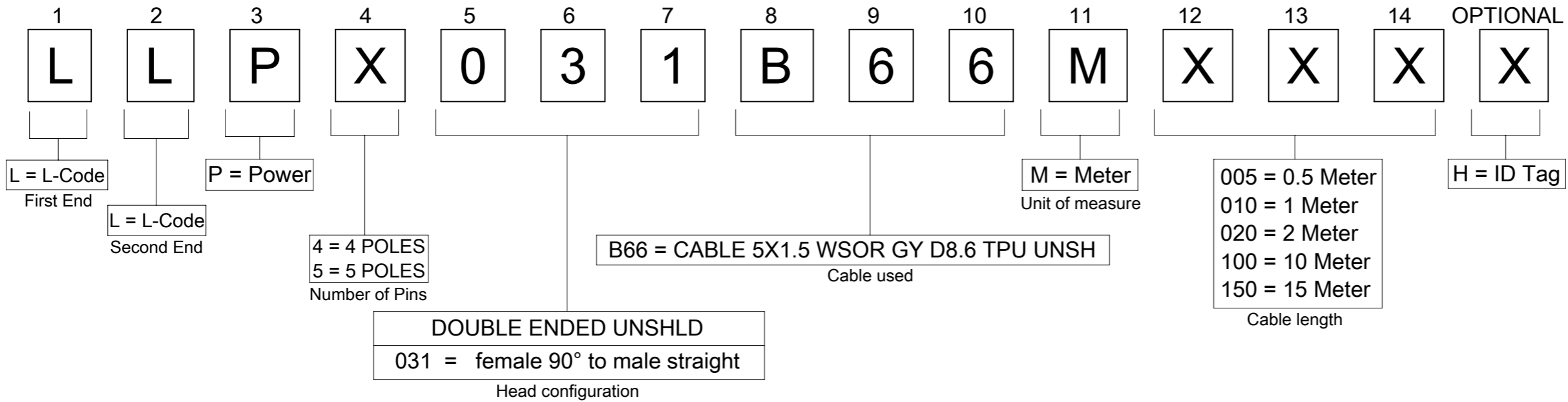


TABLE 2

NOMINAL SECTION 1,5mm ²			
MATERIAL NO.	ENGINEERING NO.	L [mm]	TOLERANCE [mm]
1205010208	LLP5031B66M005	500	+40
1205010209	LLP5031B66M010	1000	+40
1205010210	LLP5031B66M020	2000	+60
1205010211	LLP5031B66M030	3000	+60
1205010212	LLP5031B66M050	5000	+60
1205010213	LLP5031B66M100	10000	+80
1205010214	LLP5031B66M150	15000	+140
1205010215	LLP5031B66M200	20000	+140

FUNCTIONAL SYMBOLS	THIS DRAWING CONTAINS INFORMATION THAT IS PROPRIETARY TO MOLEX ELECTRONIC TECHNOLOGIES, LLC AND SHOULD NOT BE USED WITHOUT WRITTEN PERMISSION			
	$\nabla_A = 0$ $\nabla_B = 0$ $\nabla_C = 0$	DIMENSION UNITS: mm SCALE: 1:1		
DIVISIONAL SYMBOLS	GENERAL TOLERANCES (UNLESS SPECIFIED)		EC NO: 735577	
	ANGULAR TOL $\pm 1.0^\circ$		DRWN: NIKHIS3 2023/01/12	
	4 PLACES \pm		CHK'D: RSILLER 2023/01/19	
	3 PLACES \pm		APPR: RSILLER 2023/01/19	
2 PLACES ± 0.05		INITIAL REVISION:		
1 PLACE ± 0.3		DRWN: FDAFERNER 2020/08/19		
0 PLACES ± 0.5		APPR: RSILLER 2022/12/05		
DRAFT WHERE APPLICABLE MUST REMAIN WITHIN DIMENSIONS		THIRD ANGLE PROJECTION	DRAWING	SERIES
			A3-SIZE	120501
		DOCUMENT NUMBER	CUSTOMER	SHEET NUMBER
		1205010208	GENERAL MARKET	2 OF 2