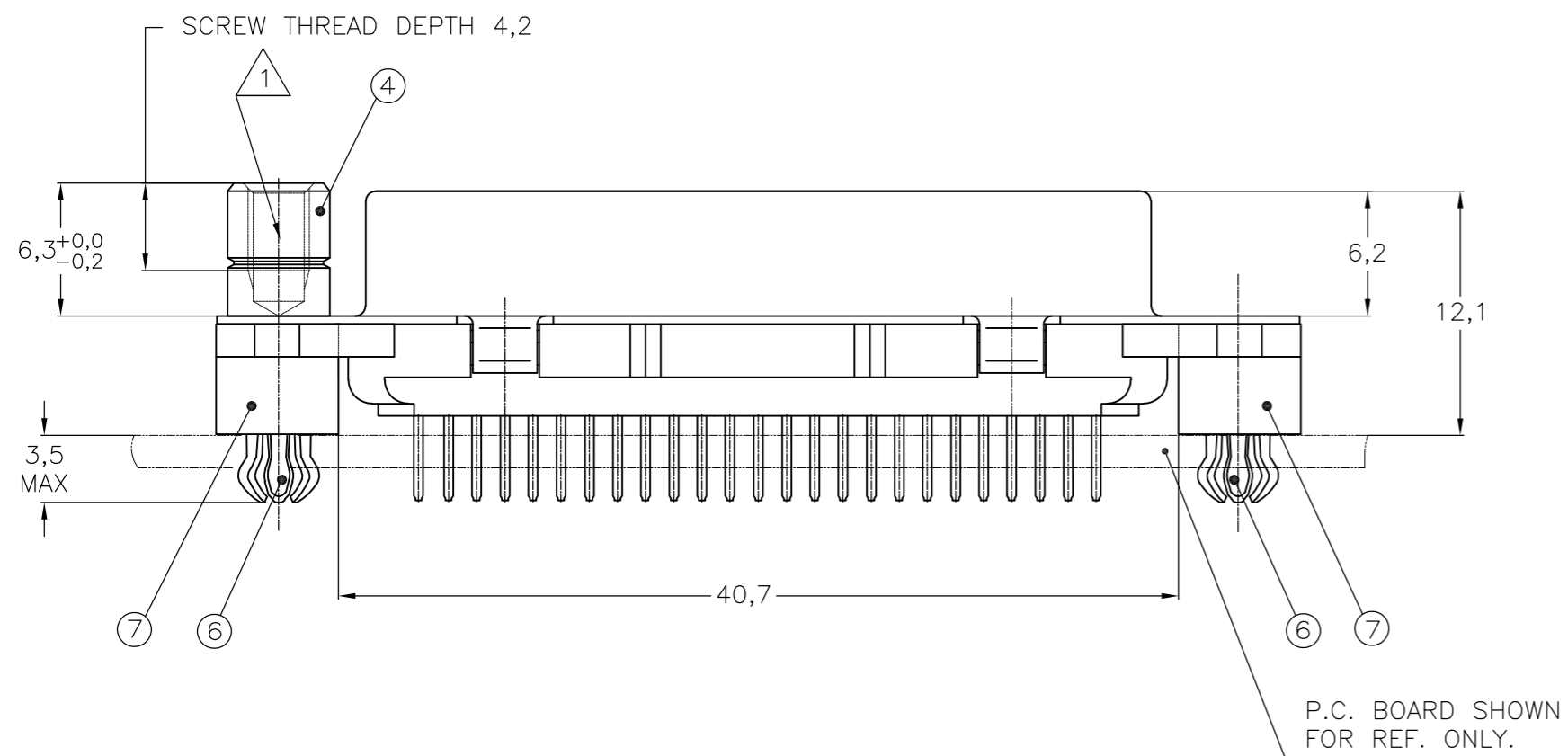
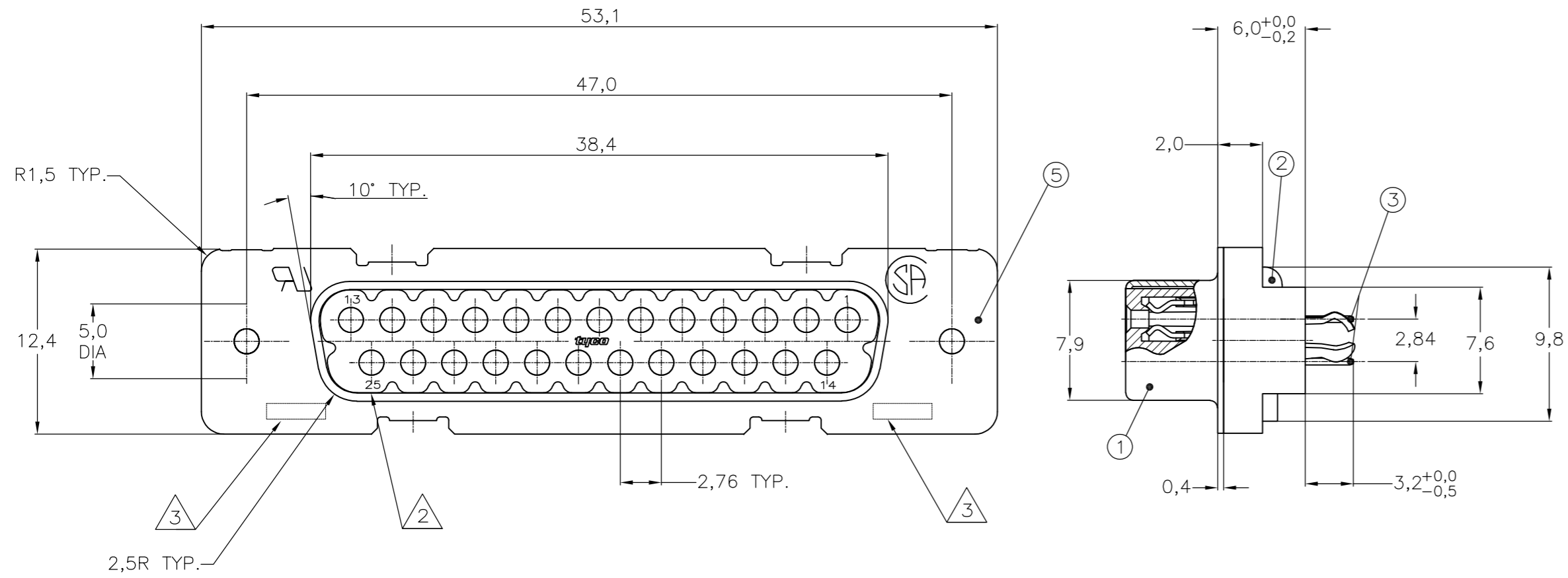
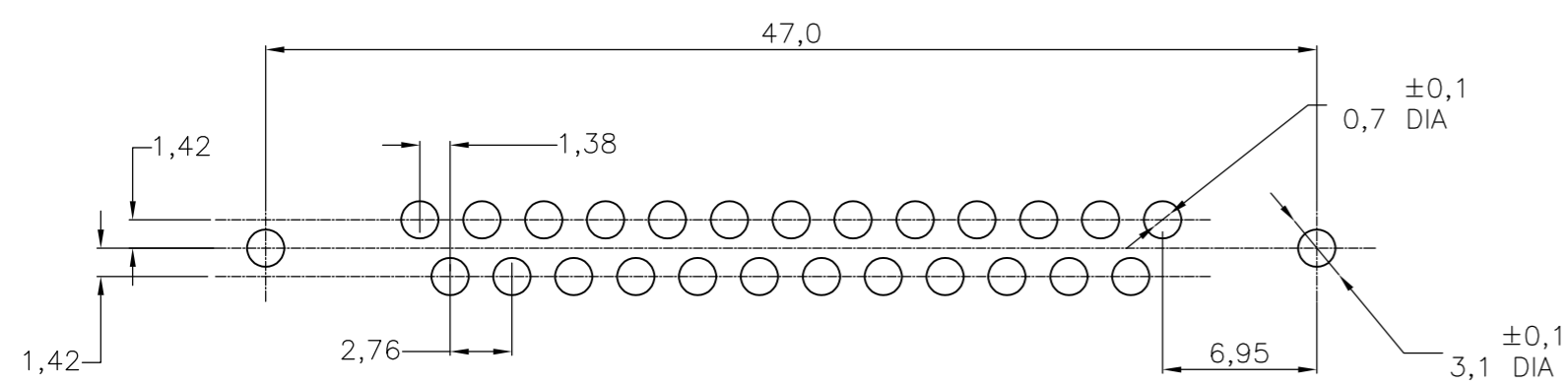


THIS DRAWING IS UNPUBLISHED. RELEASED FOR PUBLICATION
 © COPYRIGHT - By - ALL RIGHTS RESERVED.

LOC	DIST	REVISIONS					
H	-	P	LTR	DESCRIPTION	DATE	DWN	APVD
		F1		REVISED PER ECO-11-005294	02APR11	RK	HMR



RECOMMENDED P.C. BOARD HOLE-LAYOUT



ACCESSORIES PREFIX "Z"	ITEM NR.	DESCRIPTION OF ACCESSORY	1	2	3	4	5	6	7	8	9
5		BUSHING WITH THROUGHHOLE 3,1 DIA.					2				
5		BUSHING WITH THREAD 4-40 UNC		2					2		
5		BUSHING WITH THREAD M3		2					2		
4		FEMALE SCREWLOCK WITH THREAD 4-40 UNC			2					2	
4		FEMALE SCREWLOCK WITH THREAD M3			2					2	
6		BOARDLOCK	2	2	2	2					

HOW TO ORDER:
 25 POS. -----> Z-338315-Y
 PREFIX FOR ACCESSORIES }
 BASIC PARTNR. }
 SUFFIX FOR PLATING }
 1 - XXXXXX-Y
 2 - XXXXXX-Y
 3 - XXXXXX-Y
 4 - XXXXXX-Y
 5 - XXXXXX-Y
 6 - XXXXXX-Y
 7 - XXXXXX-Y
 8 - XXXXXX-Y
 9 - XXXXXX-Y

PLATING SUFFIX "Y"
 GOLD OVER NICKEL AS PER PERFORMANCE LEVEL 2 (DIN 41652)
 SOLDER-PART :TIN-PLATING 3µm } -Y = -2

- △ GROOVE INDICATES VERSION WITH 4-40 UNC INNER THREAD; WITHOUT GROOVE INDICATES VERSION WITH M3 INNER THREAD.
- △ CAVITY IDENTIFICATION AT FRONT SIDE ONLY.
- △ PARTNUMBER AND DATE CODE.
- 4. WHEN BOARDLOCKS ARE USED, CONNECTOR CAN BE USED FOR PCB THICKNESS OF 1,6 mm ONLY.
- 5. AIR AND CREEPAGE DISTANCES ACCORDING TO DIN 41652

- ITEM NRS./MATERIAL :
- ① SHELL = BRIGHT TINPLATED STEEL
 - ② HOUSING = GLASSFILLED POLYESTER, COLOR : BLACK
 - ③ CONTACTS = PHOSPHORBRONZE (PLATING : SEE TABLE ABOVE)
 - ④ FEMALE SCREWLOCK = TINPLATED STEEL (INNER THREAD 4-40 UNC OR M3)
 - ⑤ BUSHING = TINPLATED STEEL (INNER THREAD 4-40 UNC OR M3 OR 3,1 DIA. THROUGHHOLE)
 - ⑥ BOARDLOCK = TINPLATED PHOSPHORBRONZE
 - ⑦ STAND OFF = ULTRAMID V0 COLOR : BLACK

THIS DRAWING IS A CONTROLLED DOCUMENT.		DWN J.V.LIEMPT 01JUL97	STE TE Connectivity	
DIMENSIONS: mm		CHK C.SOUISA 09SEP97		
TOLERANCES UNLESS OTHERWISE SPECIFIED:		APVD E.LEIJTENS 09SEP97	NAME HDP-20 SIZE 3	
0 PLC ± -		PRODUCT SPEC	VERTICAL+ RECEPTACLE HEADER; WITH SOLDER CONTACTS	
1 PLC ± -		APPLICATION SPEC	SIZE A2	CAGE CODE 00779
2 PLC ± -		WEIGHT -	DRAWING NO C=338315	RESTRICTED TO -
3 PLC ± -		CUSTOMER DRAWING	SCALE NTS	SHEET 1 OF 1
4 PLC ± -			REV F1	
ANGLES ± -				
FINISH -				