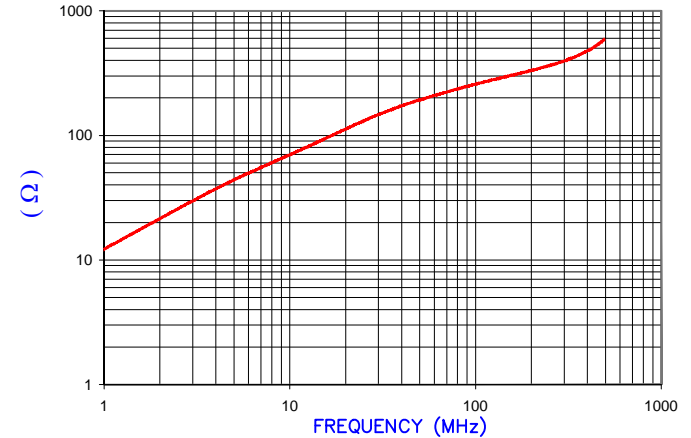


DETAIL "A"
CHAMFER
SCALE=4:1

IMPEDANCE (Z)			
Frequency	25 MHz	100 MHz	300 MHz
Nominal (REF)	135 Ω	250 Ω	400 Ω
Minimum	- Ω	200 Ω	- Ω

Z vs. FREQUENCY
(REF. ONLY)



AGILENT E4991A Impedance/Material Analyzer
HP 16092A Test Fixture

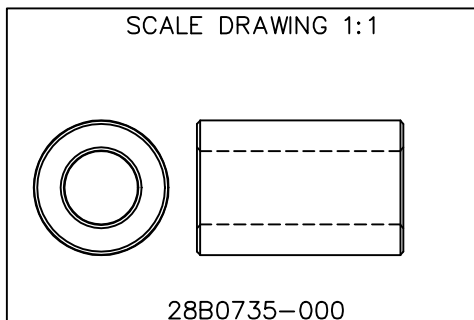
FERRITE CORE DIMENSIONS (SPEC): mm/inches

A	18.67 [.735]	±	0.36 [.014]
B	10.16 [.400]	±	0.20 [.008]
C	28.58 [1.125]	±	0.76 [.030]

WEIGHT/1000 27.14 kgs [59.83Lbs]

NOTES: UNLESS OTHERWISE SPECIFIED

- PARTS MUST BE TUMBLED, BURNISHED OR DEBURRED TO REMOVE ALL BURRS AND SHARP EDGES.
- COSMETIC SPECIFICATION REFER TO WI-QA-038.



DIMENSIONS ARE IN mm [INCHES].				This print is the property of Laird Tech. and is loaned in confidence subject to return upon request and with the understanding that no copies shall be made without the written consent of Laird Tech. All rights to design or invention are reserved.							
REV	DESCRIPTION	DATE	INT								
H	UPDATE THE LOGO	05/13/15	QIU	PROJECT/PART NUMBER: 28B0735-000		REV	H	PART TYPE: FERRITE CNZ CORE	DRAWN BY: DJB		
G	UPDATED TEMPLATE	11/02/10	Jcai			DATE:	07/03/90	SCALE:	2:1	MATERIAL:	FERRITE
F	UPDATE PRINT FORMAT					CAD #	28B0735-000-H	TOOL #	B0735		
	CHANGE NOTE # 1, CHG TEST FIXTURE	05/22/03	JRK								
E	ADD NOTE #1, ADD kgs TO WEIGHT	05/01/02	JRK								
D	ADD Z CURVE, UPDATE ELECT SPEC REM	04/11/02	JRK								
C	COATING SPEC CHG PART # TO -000	03/19/99	I.S.								
B	CHG P/N TO 28B0735-00* ADD COATING SPEC	09/25/95	JBE								
A	UPDATED P/N FOR NEW CATALOG	07/03/90	DJB								
	ORIGINAL DRAFT	07/03/90	DJB								
REV	DESCRIPTION	DATE	INT								