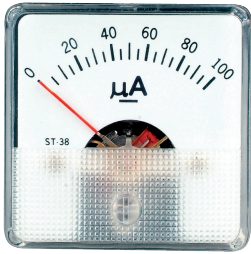
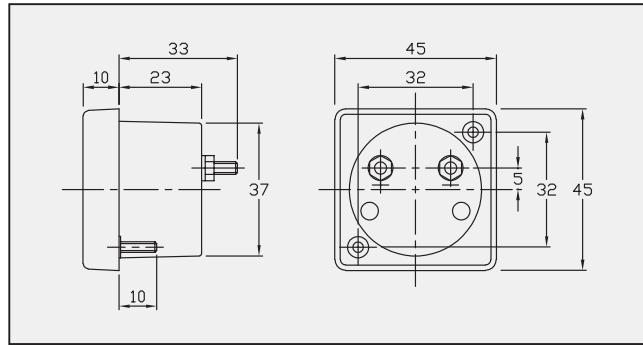
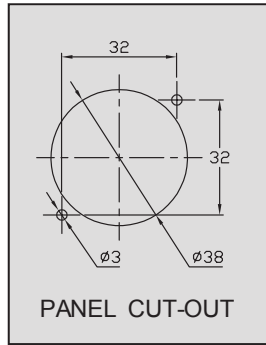


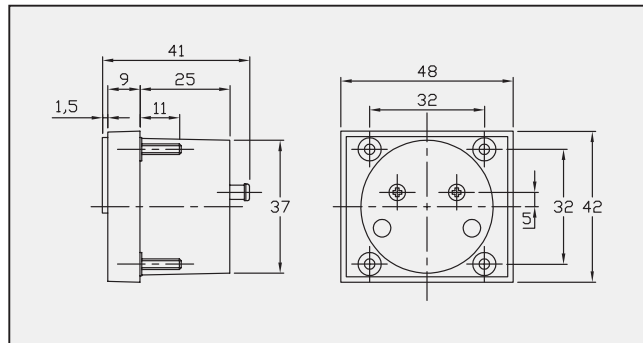
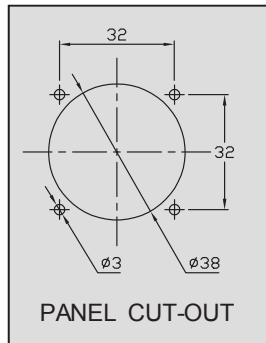
P Series



ST-38



ST-38N



Measuring Ranges :

Moving Coil Type

DC uA	DC mA	DC A	DC mV	DC V
50	1	1	50	3
100	5	5	60	5
150	10	10	100	10
200	15	20	500	15
250	50	30		20
300	100	50		30
500	150			50
800	200			100
	250			150
	300			200
	500			300
	800			500
				600

Moving Iron Type

AC mA	AC A	AC V
50	1	150
100	5	250
150	10	300
200	15	500
250	20	
300	30	
500	50	
750		

Rectifier Type

AC V
30
50
100
150
200
300
500

- DC up to 50A : ST-80
- DC up to 30A : ST-65, ST-60, ST-45
- DC up to 15A : ST-70P, ST-38, ST-38N
- AC up to 50A : ST-80
- AC up to 30A : ST-70P, ST-60, ST-45, ST-65

• Hz Meter

- Measuring Ranges : 45~55Hz 45~65Hz
55~65Hz
- Rated Voltage : 110V, 220V
- Accuracy : Class 2.0

- **Case and Composition :** Acrylic resin front.
Bakelite case : ST-80, ST-65, ST-45 AC & DC and ST-70P, ST-60 AC
ABS case : ST-70P, ST-60, ST-38, ST-38N DC
Four studs mounting
Two studs mounting for ST-38, ST-38N
- **Accuracy :** DC : Class 2.0 / AC : Class 2.5 / Rectifier : Class 2.0
- **Color :** Black case and white scale plate.
- **Pointer :** Tube type, color in black or red.