

Quick Exhaust Valve

Series **AQ**

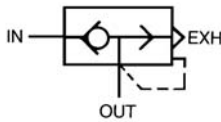
Features

- ➔ High exhaust characteristics
- ➔ Port sizes from M5 ~ 3/4
- ➔ High flow capacity

Specifications

Fluid	Air	
Proof pressure	1.5 MPa	
Max. operating pressure	AQ15□0	0.7 MPa
	AQ2000 to 5000	1 MPa
Min. operating pressure	AQ15□0	0.1 MPa
	AQ2000 to 5000	0.05 MPa
Ambient and fluid temperature	-5 to 60°C (No freezing)	

JIS Symbol



How to Order

AQ 2 0 0 0 - F 02

Standard size

1	1/8
2	1/4
3	3/8
5	3/4

Type

Symbol	Type	Applicable model
0	Diaphragm	AQ2 to AQ5
5	Lip	AQ1 Only

Standard

0	M5
1	1/8

Note) "AQ15□0" only

Thread type

Nil	Metric thread (M5)
F	G

Port size

Port size	Applicable series
M5	AQ1500
1/8	AQ1510/2000
1/4	AQ2000/3000
3/8	AQ3000
1/2	AQ5000
3/4	

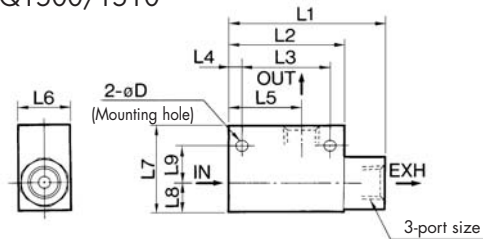


Model

Model	Port size	Effective area (mm ²)		Weight (g)
		IN → OUT	OUT → EXH	
AQ1500-M5	M5	2	2.8	25
AQ1510-01	1/8	4	5.8	45
AQ2000-01	1/8	25	25	110
AQ2000-02	1/4	35	40	105
AQ3000-02	1/4	40	42	215
AQ3000-03	3/8	60	70	205
AQ5000-04	1/2	105	115	690
AQ5000-06	3/4	135	180	650

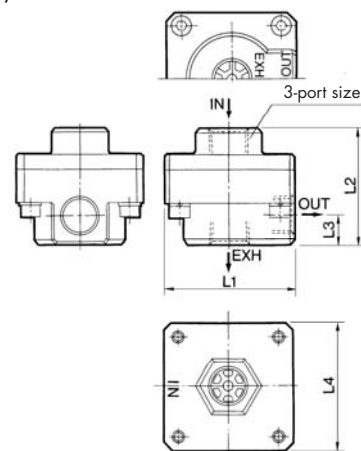
Dimensions

AQ1500/1510



Model	Port size	L1	L2	L3	L4	L5	L6	L7	L8	L9	D
AQ1500	M5	23	20	14	3	12.5	12	15	5.5	6.5	3.1
AQ1510	1/8	45	33	25	4	21	15	25	8	11	4.3

AQ2000/3000/5000



Model	Port size	L1	L2	L3	L4
AQ2000	1/8, 1/4	45	40	10	45
AQ3000	1/4, 3/8	56	50	12.5	56
AQ5000	1/2, 3/4	85	75	18	85

Flow Control



CAD CD-ROM AVAILABLE



CATALOGUE E249-A AVAILABLE



PDF AVAILABLE ONLINE

Quick Exhaust Valve with One-Touch Fitting

Series AQ240F/340F

Features

- ▶ Option of built-in silencer or facility to pipe exhaust away.
- ▶ Minimises installation time and cost.
- ▶ Integral one-touch fittings.
- ▶ Accepts Nylon and Polyurethane tubing.
- ▶ Compact lightweight design.



With silencer

With exhaust port fitting

Specifications

Fluid	Air
Proof pressure	1.5 MPa
Max. operating pressure	1 MPa
Min. operating pressure	0.1 MPa
Ambient and fluid temperature	-5 to 60°C (No freezing)
Applicable tubing material ^(Note)	Nylon, Soft nylon, Polyurethane

Note) Use caution regarding the max. operating pressure when soft nylon or polyurethane tubing is used.

JIS Symbol



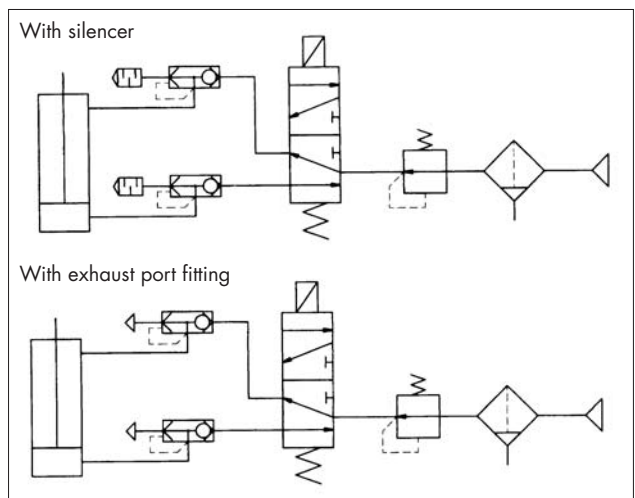
With silencer

With exhaust port fitting

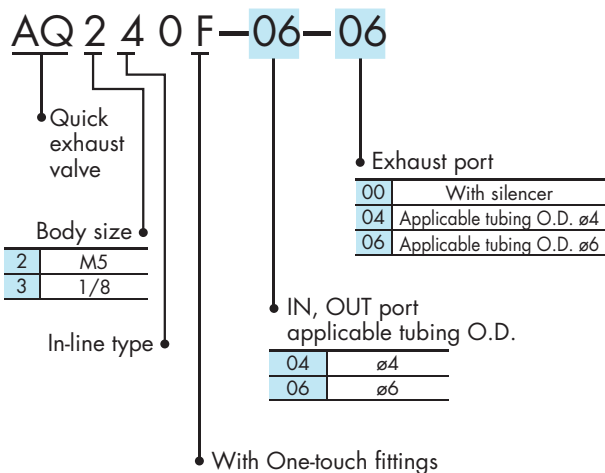
Model

Model	Applicable tubing O.D.			Effective area (mm ²)	
	4	6	1/4"	IN → OUT	OUT → EXH.
AQ240F-04-□	●			1.7	2.5
AQ240F-06-□		●		2.4	2.7
AQ340F-06-□		●		4	4

Circuit



How to Order



Note) Brass parts are all electroless nickel plated.