

- 1
- 2
- 3
- 4
- 5
- 6
- 7
- 8
- 9
- 10
- 11
- 12
- 13
- 14
- 15
- 16
- 17
- 18

## MATERIAL

High-resilience polypropylene based (PP) technopolymer, black colour, matte finish.

## BOSS CAP

- ECB.I: polyester based technopolymer (PBT) in Elecolors colours, glossy finish, press-fit assembly. Supplied.  
Available also as accessory sold separately (see table).

## STANDARD EXECUTIONS

Black-oxide steel boss, H7 reamed hole.

- **ETW.375+HEL**: with revolving handle IEL+x SOFT (see page 377) in technopolymer coated with "Soft touch" thermoplastic elastomer (TPE).
- **ETW.375+IR**: with fold-away handle IR.620 (see page 414) in technopolymer.

## SPECIAL EXECUTIONS ON REQUEST

Bosses with hole and keyway in compliance with DIN 6885/1 tolerance P9 (see page A-16).

To order the handwheel with keyway add the index -K after the code and the description (i.e. 205291-K- ETW.375+IEL A-20-K).

For sufficient quantities: executions with locking device (Elesa patent), (see page 128).

## ACCESSORIES ON REQUEST

- GN 184: axial retaining washer in black-oxide steel (see page 897).
- ECB.I: boss cap in polyester based technopolymer (PBT) in Elecolors colours, glossy finish, press-fit assembly (see table).



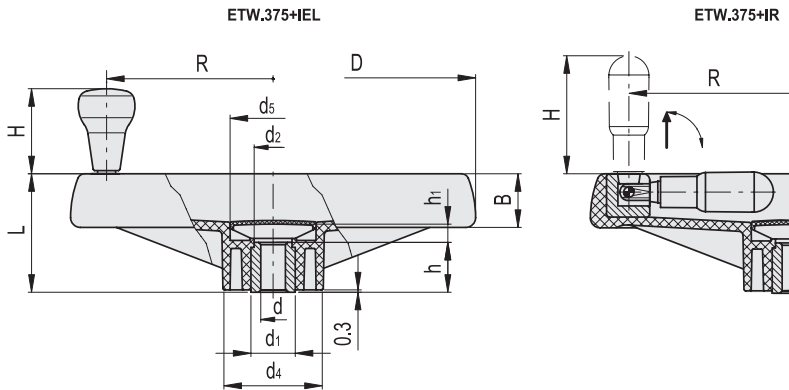
**ERGOSTYLE®** ELESA Original design

- C1**  
RAL7021
- C2**  
RAL2004
- C3**  
RAL7035
- C4**  
RAL1021
- C5**  
RAL5024
- C6**  
RAL3000

## ECB.I

Code	Description	Boss cap for
29451-*	ECB.I3-*	ETW.375

\* Complete with colour index (C1, ..., C6).



\* Complete with colour index, example: 205291-C2 ETW.375+IEL A-20-C2

- C1**  
RAL7021
- C2**  
RAL2004
- C3**  
RAL7035
- C4**  
RAL1021
- C5**  
RAL5024
- C6**  
RAL3000

## ETW.375+IEL

Code	Description	D	dH7	L	B	d1	d2	d4	d5	h	h1	H	R	C# [Nm]	L# [J]	
205291-*	ETW.375+IEL A-20-*	375	20	86	38	35	33	80	70	38	14	65	160	380	55	1260

## ETW.375+IR

Code	Description	D	dH7	L	B	d1	d2	d4	d5	h	h1	H	R	C# [Nm]	L# [J]	
205491-*	ETW.375+IR A-20-*	375	20	86	38	35	33	80	70	38	14	90	160	380	55	1350