

MATERIAL

Zinc-plated steel housing.

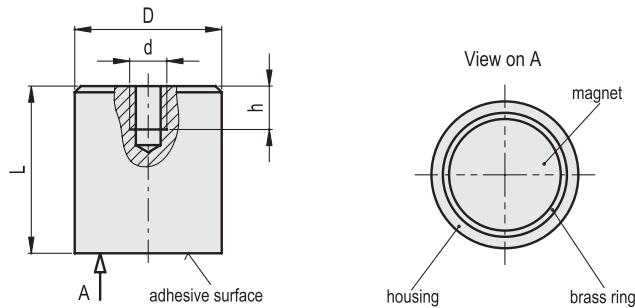
STANDARD EXECUTIONS

- **RMN-AN:** (AlNiCo) Aluminium-nickel-cobalt magnet, resistant to temperatures up to 450°C.
- **RMN-ND:** (with blue inked adhesive surface): (NdFeB) Neodymium- iron-boron magnet, resistant to temperatures up to 80°C.

See Guidelines for the choosing (on page 1052).

FEATURES AND APPLICATIONS

RMN cylindric retaining magnets are shielded magnetic systems with high performances and moderate overall dimensions.



RMN-AN

Code	Description	D+0.2-0.2	d	L+0.2-0.2	h	Nominal adhesive forces* [N]	⚖️
502301	RMN-AN-6	6	M3	20	5	2	4
502303	RMN-AN-8	8	M3	20	5	4	8
502305	RMN-AN-10	10	M4	20	7	8.5	11
502307	RMN-AN-13	13	M4	20	7	12	19
502309	RMN-AN-16	16	M4	20	7	20	30
502311	RMN-AN-20	20	M6	25	7	40	55
502313	RMN-AN-25	25	M6	35	9	60	121
502315	RMN-AN-32	32	M8	40	9	160	212
502317	RMN-AN-40	40	M8	50	9	240	437
502319	RMN-AN-50	50	M10	60	12	400	793
502321	RMN-AN-63	63	M12	65	14	660	1273

RMN-ND

Code	Description	D+0.2-0.2	d	L+0.2-0.2	h	Nominal adhesive forces* [N]	⚖️
502401	RMN-ND-6	6	M3	20	5	6	4
502403	RMN-ND-8	8	M3	20	5	12	8
502405	RMN-ND-10	10	M4	20	7	24	11
502407	RMN-ND-13	13	M4	20	7	60	20
502409	RMN-ND-16	16	M4	20	7	90	30
502411	RMN-ND-20	20	M6	25	7	135	58
502413	RMN-ND-25	25	M6	35	9	190	131
502415	RMN-ND-32	32	M8	40	9	340	243
502417	RMN-ND-40	40	M8	50	9	700	480
502419	RMN-ND-50	50	M10	60	12	1000	904
502421	RMN-ND-63	63	M12	65	14	1700	1555

* The values of the nominal adhesive forces are approximate and refer to magnetic properties observed on laboratory samples.

