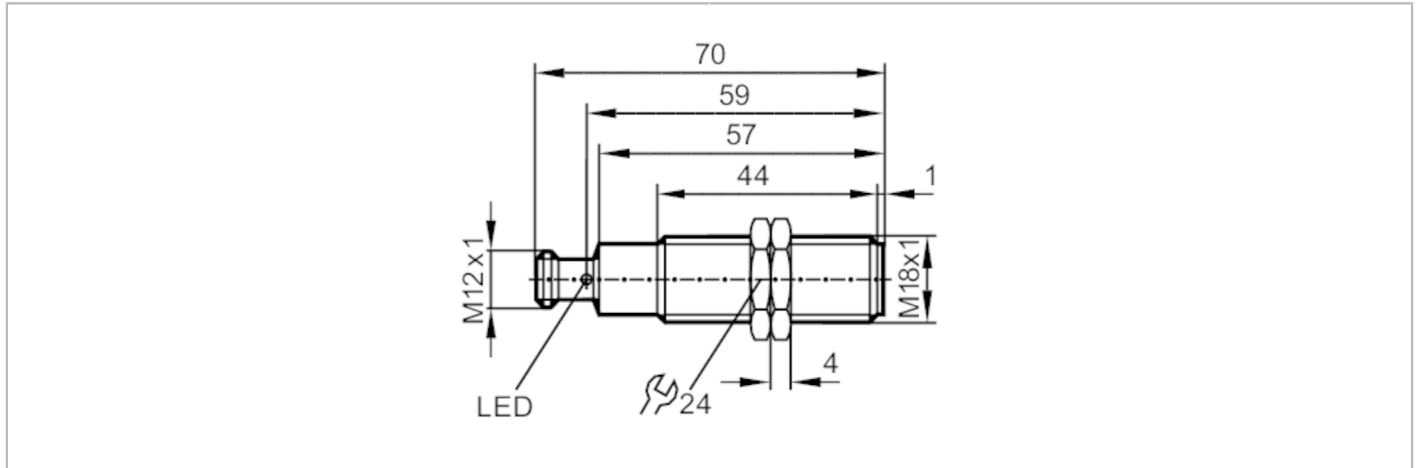


DTM426



RFID read/write head with CAN interface and SAE J 1939 protocol

DTMHF GBRWCJUS03



| Application | | |
|-------------------------------------|---|-----------------------------|
| Radio approval for | Europe; USA; Canada; Japan; Australia; China; Taiwan; India; Singapore; Ukraine | |
| Electrical data | | |
| Operating voltage [V] | 9...32 DC | |
| Current consumption [mA] | < 50 (24 V) / < 80 (12 V) | |
| Protection class | III | |
| Operating frequency [MHz] | 13,56 | |
| RFID standard | ISO 15693 | |
| Detection zone | | |
| Distance write/read head front [mm] | 100 | |
| Distance write/read head side [mm] | 50 | |
| Distance to the ID tag [mm] | | ≤ 18 |
| Interfaces | | |
| Communication interface | CAN | |
| CAN | | |
| Protocol | J1939 | |
| Operating conditions | | |
| Ambient temperature [°C] | -40...85 | |
| Storage temperature [°C] | -40...85 | |
| Protection | IP 67; IP 69K | |
| Tests / approvals | | |
| EMC | EN 301489-3 | V 1.6.1 |
| Shock resistance | EN 60068-2-27 | 40 g 6 ms / repetitive |
| | EN 60068-2-27 | 50 g 11 ms / not repetitive |
| Vibration resistance | EN 60068-2-6 | 20 g 10...2000 Hz |
| Radio approval | EN 302 291-2 V1.1.1 / EN 300 330-2 V1.5.1 | |
| MTTF [years] | 475 | |

DTM426



RFID read/write head with CAN interface and SAE J 1939 protocol

DTMHF GBRWCJUS03

Mechanical data

| | | |
|--------------------|------|---|
| Weight | [g] | 144.5 |
| Housing | | threaded type |
| Dimensions | [mm] | M18 x 1 / L = 70 |
| Thread designation | | M18 x 1 |
| Materials | | housing: stainless steel; Protective cover: PPS; connector housing: PEI |

Displays / operating elements

| | | |
|---------|-------------------|-----------------|
| Display | operation | 1 x LED, green |
| | CAN communication | 1 x LED, red |
| | tag communication | 1 x LED, yellow |

Remarks

| | |
|---------------|--------|
| Pack quantity | 1 pcs. |
|---------------|--------|

Electrical connection

- 1 not used
- 2 U+
- 3 GND
- 4 CAN_H
- 5 CAN_L

Connector: 1 x M12

